

READ & SAVE THESE INSTRUCTIONS
INSTALLATION & OPERATION
INSTRUCTIONS FOR: **FCW1020 SERIES**

CAUTION: Before connecting the fixture to power supply, be sure that the power is switched off.



Headquarters
t 800 900 1730
f 630 889 8106
3609 Swenson Ave.
St. Charles, IL 60174 USA
www.fclighting.com

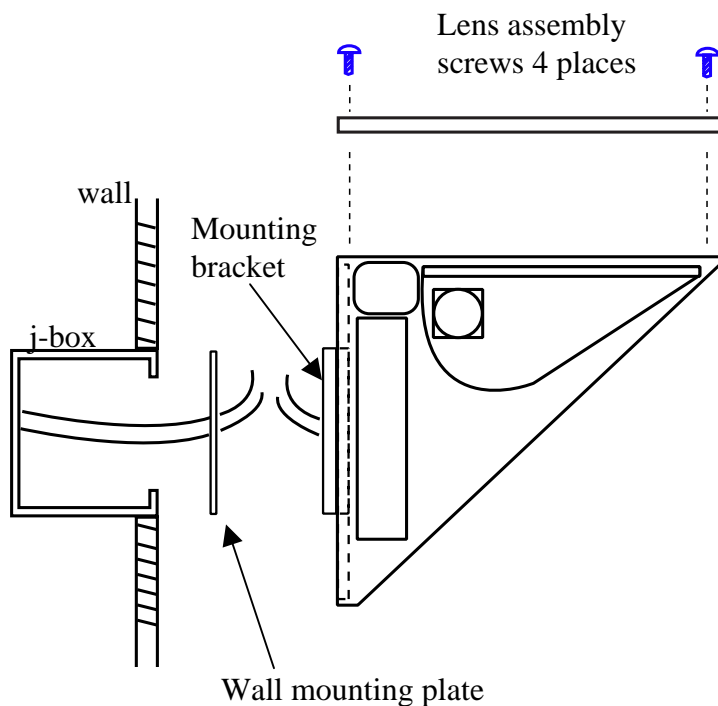
Instructions:

1. Fixture comes complete and must first be disassembled to install. Start by removing the lens assembly and setting it aside.
2. Once disassembled to this point, remove the wall-mounting bracket from back of fixture. Mount the bracket to the electrical supply box (j-box). **Note:** The outer edge of the fixture that comes in contact with the mounting surface must be silicone caulked by the installer. This is critical for a safe and reliable installation.
3. Make power supply connections to fixture.
4. Mount fixture to mounting bracket.
5. Replace reflector and lamp per label requirements. (Lamps are not included)
6. Replace lens assembly

GENERAL

1. Before starting the installation, disconnect the power by turning of the circuit breaker or by removing the fuse at the fuse box. Turning the power off at the light switch is not sufficient to prevent electrical shock.
2. To ensure the success of the installation, be sure to read these instructions and review the diagrams thoroughly before beginning.
3. All electrical connections must be in accordance with local codes, ordinances, or the national electrical code.
4. These fixtures are intended to be mounted to a 4" x 2-1/8" deep metal octagon outlet box. The box must be directly supported by the building structure.

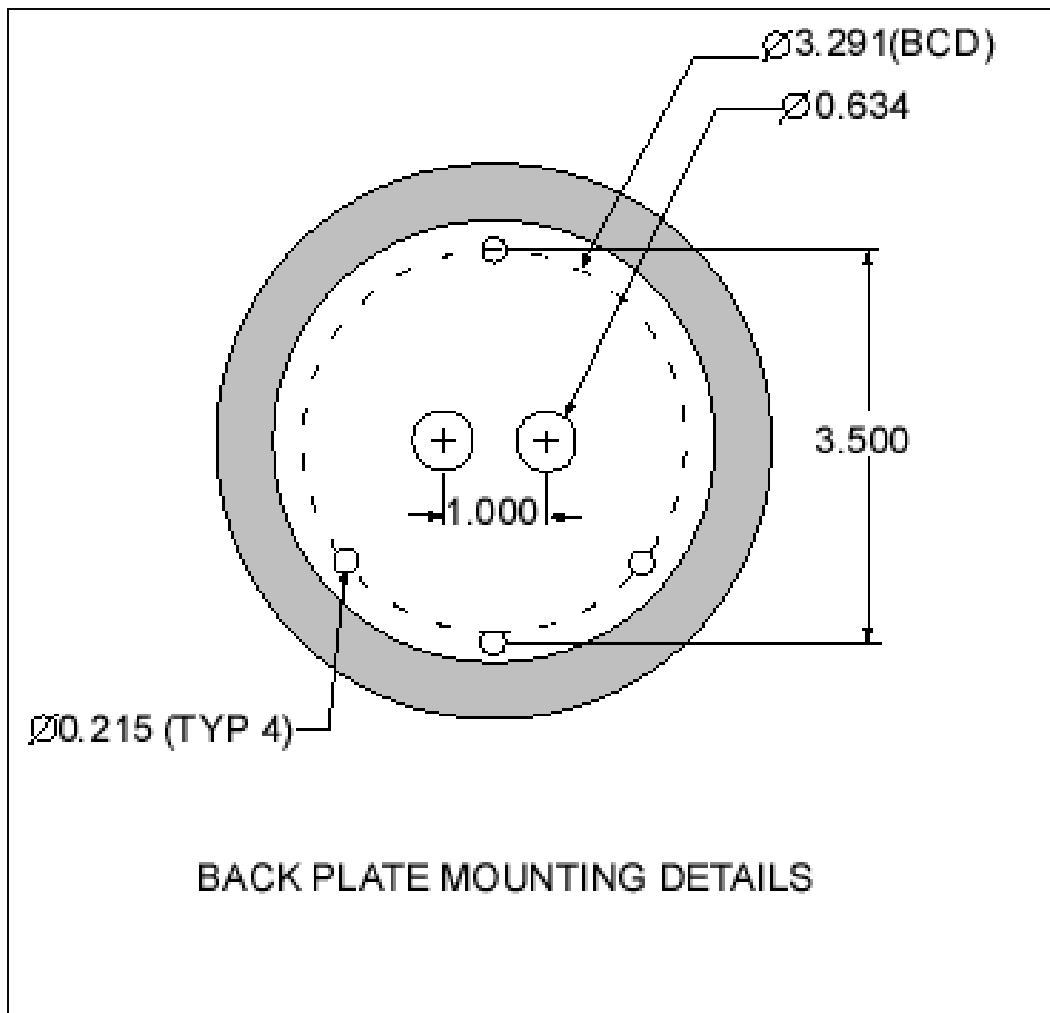
Note: The important safeguards and instructions appearing in this manual are not meant to cover all possible conditions and situations that may occur.



Confidential

This document is the proprietary property of FC Lighting, Inc. Any unauthorized transfer, use, or reproduction is strictly prohibited.

©2003-2006, FC Lighting, Inc.



Confidential

This document is the proprietary property of FC Lighting, Inc.
Any unauthorized transfer, use, or reproduction is strictly prohibited.

©2003-2006, FC Lighting, Inc.