

READ & SAVE THESE INSTRUCTIONS
INSTALLATION & OPERATION
INSTRUCTIONS FOR: FCW5200

CAUTION: Before connecting the fixture to power supply, be sure that the power is switched off.

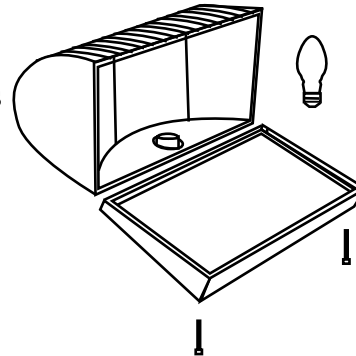


Headquarters
t 800 900 1730
f 630 889 8106
3609 Swenson Ave.
St. Charles, IL 60174 USA
www.fclighting.com

LAMPING

CAUTION: Prior to installing, check that the lamp is of the proper wattage. Observe lamp manufacturer's recommendation on lamp operation, ballast type and burning positions.

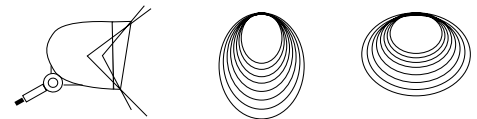
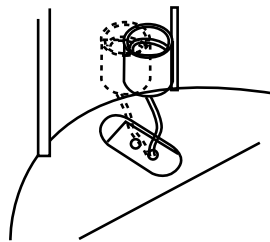
1. Disconnect power.
2. Open fixture by unscrewing the two door screws. Swing lens door down on hinges.
3. Insert lamp in base down position.
4. Before closing lens door make sure frame gasket is properly seated all around fixture.
5. Close door. Tighten two screws.



ADJUSTMENT

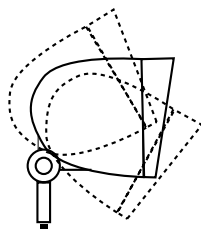
WARNING: Make certain power is off before installing or servicing fixture. The halide socket can be moved from the standard position (closest to the fixture's glass lens) to the rear position to provide a more narrow beam.

To adjust the socket position, first remove the reflector by taking out the four screws and carefully lifting the reflector out of the fixture. Loosen the two screws holding the socket bracket and remove the entire bracket. Move the socket into the desired position and tighten screws. Replace the socket bracket and reflector.



AIMING

1. Loosen swivel screw.
2. Aim as desired.
3. Retighten screw.



CLEANING

CAUTION: Be sure fixture temperature is cool enough to touch. Clean reflector and lens with non-abrasive glass cleaning solution or detergent. Rinse with a damp cloth. Do not immerse in water.

GENERAL

1. Before starting the installation, disconnect the power by turning of the circuit breaker or by removing the fuse at the fuse box. Turning the power off at the light switch is not sufficient to prevent electrical shock.
2. To ensure the success of the installation, be sure to read these instructions and review the diagrams thoroughly before beginning.
3. All electrical connections must be in accordance with local codes, ordinances, or the national electrical code.
4. These fixtures are intended to be mounted to a 4" x 2-1/8" deep metal octagon outlet box. The box must be directly supported by the building structure.

Note: The important safeguards and instructions appearing in this manual are not meant to cover all possible conditions and situations that may occur.

Confidential

This document is the proprietary property of FC Lighting, Inc. Any unauthorized transfer, use, or reproduction is strictly prohibited.

©2003-2006, FC Lighting, Inc.