

**READ & SAVE THESE INSTRUCTIONS**  
**INSTALLATION & OPERATION**  
INSTRUCTIONS FOR: **FCW5414 SERIES**

**CAUTION:** Before connecting the fixture to power supply, be sure that the power is switched off.



Headquarters  
t 800 900 1730  
f 630 889 8106  
775 W. Belden Ave.  
Addison, IL 60101 USA  
[www.fclighting.com](http://www.fclighting.com)

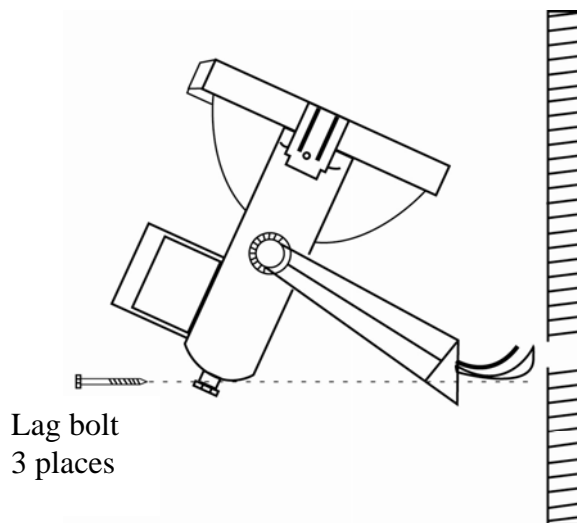
**Instructions:**

1. Fixture safety is warranted only by proper use of the following instructions: please save them.
2. Make power supply connections to fixture.
3. Mount the fixture directly to the wall with three holes provided in the yoke, using three lag bolts (provided by others) for secure mounting. **Note:** The outer edge of the fixture that comes in contact with the mounting surface must be silicone caulked by the installer. This is critical for a safe and reliable installation.
4. Loosen and remove screws holding lens door to fixture.
5. Lamp per label requirements. (Lamps are not included)
6. Once lamps are installed securing lens door in closed position.

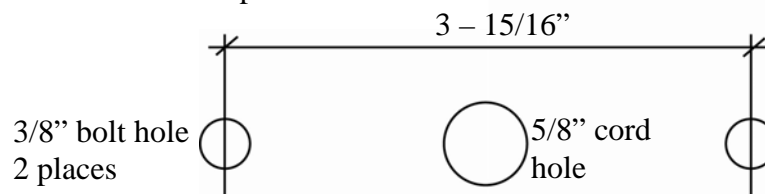
**GENERAL**

1. Before starting the installation, disconnect the power by turning of the circuit breaker or by removing the fuse at the fuse box. Turning the power off at the light switch is not sufficient to prevent electrical shock.
2. To ensure the success of the installation, be sure to read these instructions and review the diagrams thoroughly before beginning.
3. All electrical connections must be in accordance with local codes, ordinances, or the national electrical code.

**Note:** The important safeguards and instructions appearing in this manual are not meant to cover all possible conditions and situations that may occur.



**Yoke hole pattern**



**Confidential**

This document is the proprietary property of FC Lighting, Inc.  
Any unauthorized transfer, use, or reproduction is strictly prohibited.

©2003-2007, FC Lighting, Inc.