

FCSL Series

Recessed or drive-over
LED with die cast or
stainless steel faceplate



corporate
t 800 900 1730
f 630 889 8106
3609 Swenson Ave
St. Charles, IL 60174

Catalog Number

Series		Voltage	Wattage	Ballast	LED Diode	LED Style	Finish	Accessories
FCSL440	Eyelid	120V	350W T-4	E Electronic	WH White	SC Screen (opal lens standard)	BK Black	CCL Custom color lens
FCSL441	Open face		20W T-4 (bi-pin)				WH White	CO Collar, mounting
FCSL442	Louvered face		35W T-3 (bi-pin)		Consult factory for amber, blue, green or red	CC Custom color	EC E-coat	
FCSL445	3 window	LED	15W S11			SS Stainless steel	F Fuse	
FCSL443	Open face stainless steel	120V	20MH T4.5 (bi-pin)			(FCSL443 only)	PCL Polycarbonate lens (PL only)	

Note: FC SL440 are not available for drive over.

New! **LED**
1-1 watt diodes
(total 1 watts)
2-1 watt diodes
(total 2 watts)
1-3watt diodes
(3 total watts)

Product Information

Listing: U.L. listed for wet and dry locations.

Housing: Marine grade corrosion resistant heavy walled high pressure die cast aluminum housing and faceplate. PVC exterior (CO) mounting housing for wall and in ground applications.

Gasket: Channel silicone gasket with tempered step glass lens which is flush with the faceplate.

Fasteners: Captive and recessed stainless steel, tamper resistant, hex socket screws.

Diffuser: Inc/LV: Lens is 3/8" thick, clear tempered glass, heat resistant, standard. **LED:** Lens is 3/8" thick, opal tempered glass, heat resistant, standard.

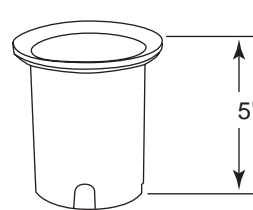
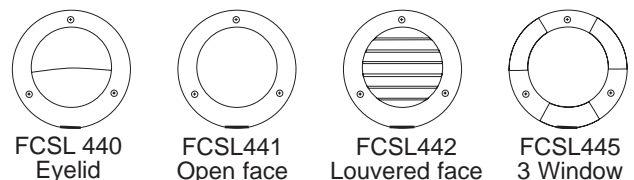
Socket: Inc: Mini-can base for incandescent quartz. **LV:** Ceramic 2 pin socket with nickel plated contacts.

LED: 1 watt or 3 watt LumiLed Luxeon warm white diodes with a precision 18° beam angle lens and tilted at a 45° angle to project through the die cast louver to maximize the light output and performance. Integral inverter and driver potted with a variable input of voltage from 120V to 277V. Consult factory for color changing or multi-color combinations.

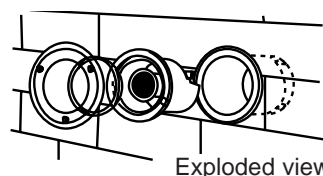
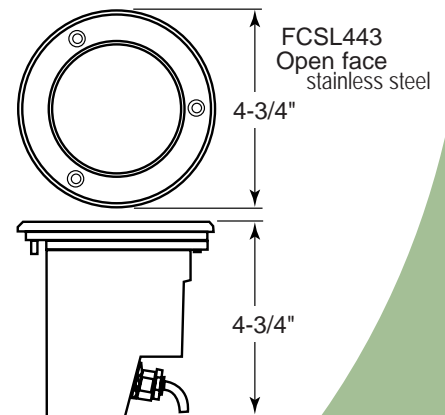
Ballast: 20W T4.5 bi-pin metal halide is available with a remote ballast only.

Finish: Five stage preparation process that includes chromate conversion and TGIC super polyester powder-coat is standard. Optional E-coat process added to standard finish including zinc phosphate.

Mounting: Rated for concrete pour. Consult factory for drywall accessories.



CO - collar option



Exploded view