

**READ AND SAVE THESE INSTRUCTIONS**  
**INSTALLATION AND OPERATION**  
**INSTRUCTIONS FOR: FCA5500**

**CAUTION:** BEFORE CONNECTING THE FIXTURE TO A POWER SUPPLY, MAKE SURE THE POWER IS SWITCHED OFF.



corporate  
 t 800.900.1730  
 f 630.889.8106  
 3609 Swenson Ave.  
 St. Charles, IL 60174

**GENERAL**

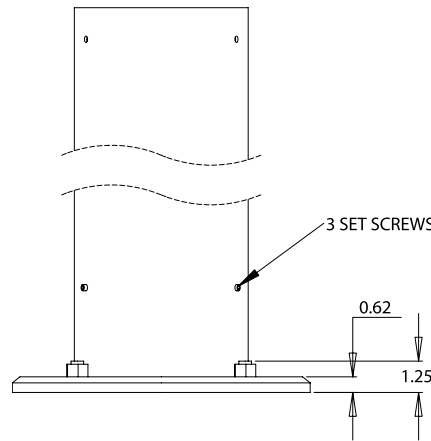
1. Before starting the installation, disconnect the power by turning off the circuit breaker or by removing the fuse at the fuse box. Turning the power off at the light switch is not sufficient to prevent electrical shock.
2. To ensure the success of the installation, be sure to read these instructions and review the diagrams thoroughly before beginning.
3. All electrical connections must be in accordance with local codes, ordinances, or the National Electrical Code.

**NOTE:** The important safeguards and instructions appearing in this manual are not meant to cover all possible conditions and situations that may occur.

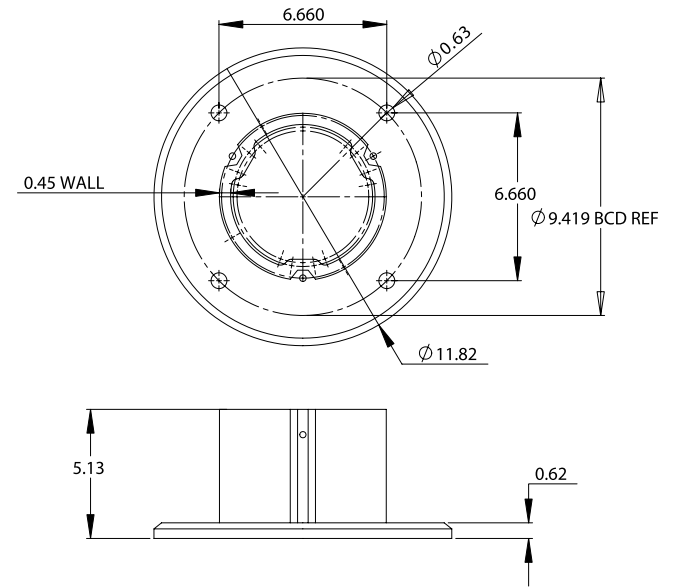
**DETAIL**

- 1) When pouring concrete, include ½" - 13 x 13"L anchor bolt using mounting template or fixture base for proper alignment. It is critical that anchor bolts are set to protrude 1⅛" to ¼".
- 2) Make wiring connections to fixture with power off.
- 3) Install the lamp and attach the decorative head.
- 4) Install head to pole tightening three (3) set screws. Make sure the wire will reach the access hole in pole. Raise pole and head into position on anchors.

**NOTE:** Head can vary from style shown.



**DIMENSIONS**



**CONFIDENTIAL**

THIS DOCUMENT IS THE PROPRIETARY PROPERTY OF FC LIGHTING, INC. ANY UNAUTHORIZED TRANSFER, USE OR REPRODUCTION IS STRICTLY PROHIBITED.  
 ©2010 FC LIGHTING, INC.