

INSTALLATION AND OPERATION

INSTRUCTIONS FOR: FCB1235

CAUTION: BEFORE CONNECTING THE FIXTURE TO A POWER SUPPLY, MAKE SURE THE POWER IS SWITCHED OFF.



corporate
t 800.900.1730
f 630.889.8106
3609 Swenson Ave.
St. Charles, IL 60174

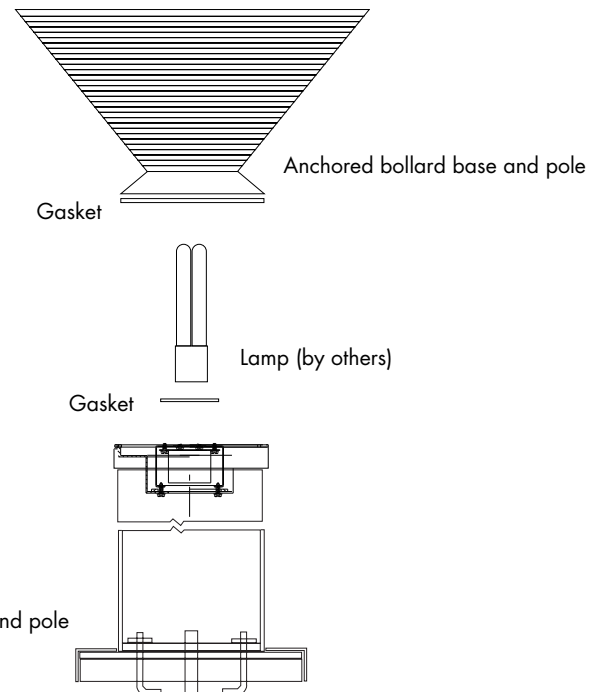
GENERAL

1. Before starting the installation, disconnect the power by turning off the circuit breaker or by removing the fuse at the fuse box. Turning the power off at the light switch is not sufficient to prevent electrical shock.
2. To ensure the success of the installation, be sure to read these instructions and review the diagrams thoroughly before beginning.
3. All electrical connections must be in accordance with local codes, ordinances, or the National Electrical Code.

NOTE: The important safeguards and instructions appearing in this manual are not meant to cover all possible conditions and situations that may occur.

INSTALLATION INSTRUCTIONS:

- 1) Once bollard is anchored into position. It is time to install the lamp and attach the decorative head. **NOTE:** Head style can vary.
- 2) Install small gasket over socket and lay smoothly at its base.
- 3) Next, install the lamp as per lable requirements (lamp by others).
- 4) Install larger gasket and lay smoothly around its base.
- 5) Set decorative head over lamp.
- 6) Tighten (3) three set screws in place.



CONFIDENTIAL

THIS DOCUMENT IS THE PROPRIETARY PROPERTY OF FC LIGHTING, INC. ANY UNAUTHORIZED TRANSFER, USE OR REPRODUCTION IS STRICTLY PROHIBITED.
©2011 FC LIGHTING, INC.