

READ & SAVE THESE INSTRUCTIONS
INSTALLATION & OPERATION
INSTRUCTIONS FOR: **FCD470 SERIES**

CAUTION: Before connecting the fixture to power supply, be sure that the power is switched off.



Headquarters
t 800 900 1730
f 630 889 8106
775 W. Belden Ave.
Addison, IL 60101 USA
www.fcighting.com

Instructions:

Connect the device to the line through a three-wire cable, fitted with a green ground wire, whose cylindrical section is appropriate to ensure that core hitches are tightly sealed.

Pull the device (2) into the appropriate positioning (ground/wall) and tighten it.

Fit the glass cap together with its gasket (4), into the seat, secure the ring nut (5) and tighten with the screws (6).

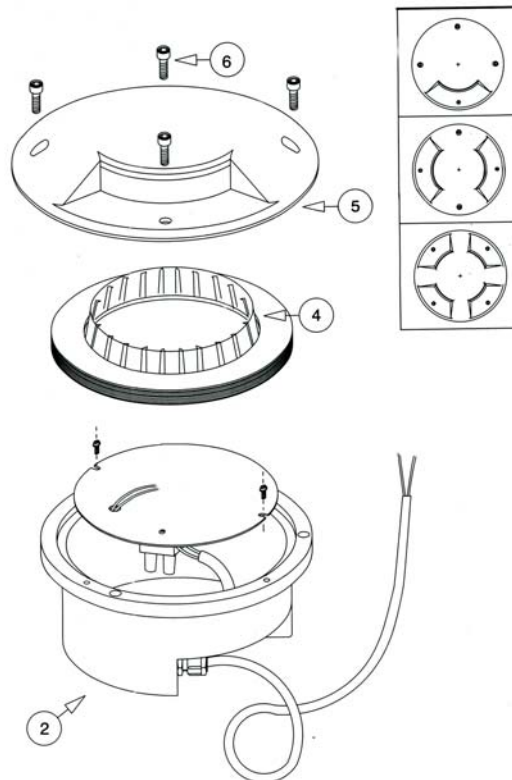
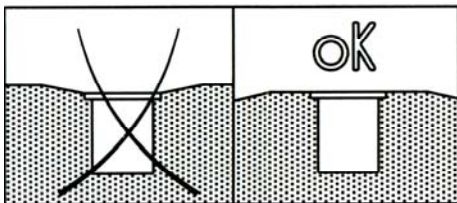
GENERAL

1. Before starting the installation, disconnect the power by turning of the circuit breaker or by removing the fuse at the fuse box. Turning the power off at the light switch is not sufficient to prevent electrical shock.

2. To ensure the success of the installation, be sure to read these instructions and review the diagrams thoroughly before beginning.

3. All electrical connections must be in accordance with local codes, ordinances, or the national electrical code.

Note: The important safeguards and instructions appearing in this sheet are not meant to cover all possible conditions and situations that may occur.



Confidential

This document is the proprietary property of FC Lighting, Inc. Any unauthorized transfer, use, or reproduction is strictly prohibited.

©2004-2005, FC Lighting, Inc.