

READ & SAVE THESE INSTRUCTIONS
INSTALLATION & OPERATION
 INSTRUCTIONS FOR: **FCSL100 SERIES**



Headquarters
 t 800 900 1730
 f 630 889 8106
 3609 Swenson Avenue
 St. Charles, IL 60174 USA
www.fclighting.com

CAUTION: Before connecting the fixture to power supply, be sure that the power is switched off.

Note: Faceplates FC SL101 through FC SL107 are installed on the front of the fixture lip. FC SL108 through FC SL115 are installed over (wrap around) the fixture lip.

1. Turn off electrical power before installing or maintaining any part of the fixture.
 2. Remove the (2) two socket head screws holding the lens and frame from fixture.
 3. Remove aluminum ballast cover, which is held in place by one slotted hex screw.
 4. Cut opening in wall 2-11/16" high and 9-5/16" wide for horizontal mounting.
 5. Insert housing in wall. For concrete pour installations, be sure to level and stabilize fixture. Cover the all holes and knockouts on fixture housing to prevent concrete from filling them. Seal the fixture against the potential for water fill during operation.
 6. Connect conduit or code approved electrical fitting through one of the 7/8" diameter holes on either the back or the end of the fixture. (figure 2) Note: fixture is not for through wiring.
 7. After fixture is mounted, connect your ground wire to provided green ground wire on fixture.
 8. Replace aluminum ballast cover and secure to ballast tray.
 9. Install correct lamp as per label.
 10. During final assembly of lens and frame to the fixture housing, start the two(2) socket head screws and tighten evenly.
 11. Restore power and test fixture. If fixture does not turn on, disconnect power before checking for problem.
- Note:** Fixtures are listed for installation with liquid tight connector.

GENERAL

1. Before starting the installation, disconnect the power by turning of the circuit breaker or by removing the fuse at the fuse box. Turning the power off at the light switch is not sufficient to prevent electrical shock.
 2. To ensure the success of the installation, be sure to read these instructions and review the diagrams thoroughly before beginning.
 3. All electrical connections must be in accordance with local codes, ordinances, or the national electrical code.
- Note:** The important safeguards and instructions appearing in this sheet are not meant to cover all possible conditions and situations that may occur.

Figure 1

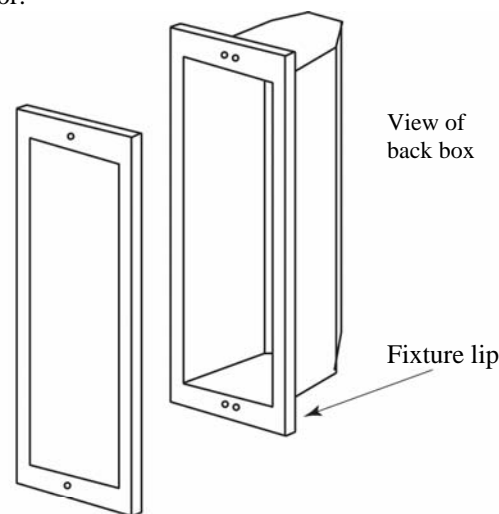
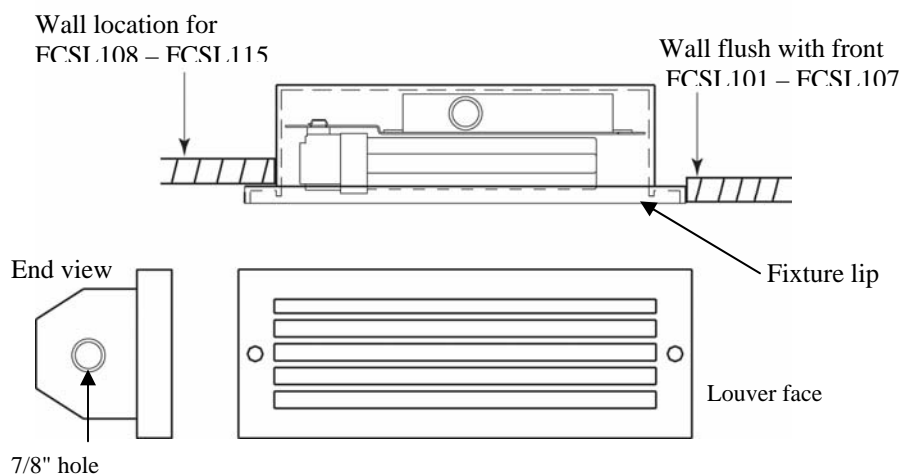


Figure 2



Confidential

This document is the proprietary property of FC Lighting, Inc. Any unauthorized transfer, use, or reproduction is strictly prohibited.

©2003-2008, FC Lighting, Inc.

READ & SAVE THESE INSTRUCTIONS
INSTALLATION & OPERATION
 INSTRUCTIONS FOR: **FCSL100 SERIES**
 drywall – interior application

CAUTION: Before connecting the fixture to power supply, be sure that the power is switched off.



Headquarters
 t 800 900 1730
 f 630 889 8106
 3609 Swenson Avenue
 St. Charles, IL 60174 USA
www.fclighting.com

Note: Faceplates **FCSL101 through FCSL107** are installed on the front of the fixture lip. **FCSL108 through FCSL115** are installed over (wrap around) the fixture lip.

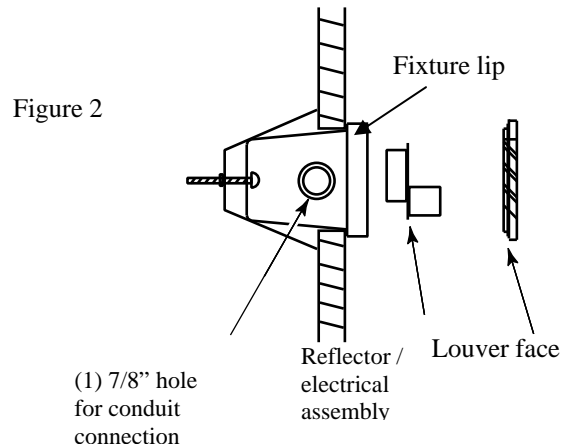
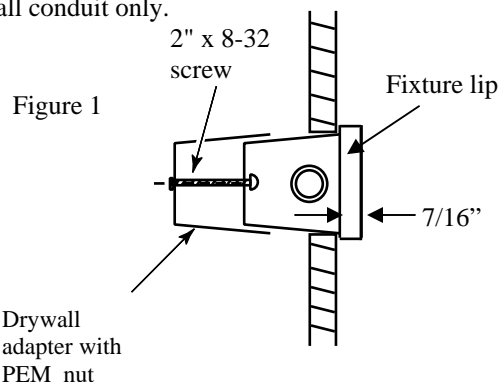
1. Turn off electrical power before installing or maintaining any part of the fixture.
2. Remove the (2) two socket head screws holding the lens and frame from fixture.
3. Remove aluminum ballast cover, which is held in place by one slotted hex screw.
4. Cut opening in wall 2-1/4" high and 8-1/2" wide for horizontal mounting.
5. Insert housing into drywall adapter by placing adapter over the back of fixture. Insert 2" x 8-32 screw through center hole (3/16") in fixture bottom and tighten into PEM nut on drywall adapter until end of screw is visible on other side of nut. Insert housing with adapter into wall opening, when in place push screw to back of fixture and secure housing to wall by tightening the screw in place. If center hole is not present use 3/16" drill to drill hole. (figure 1)
- 5A. When mounting for concrete pour, be sure to level and stabilize fixture. If provided back boxes less electrical assembly be sure to cover the two holes on back of fixture housing to prevent concrete from filling them. These holes are to be used to mount ballast in fixture.
6. Connect conduit or code approved electrical fitting through the 7/8" diameter hole on one end of fixture. (figure 2)
7. After fixture is mounted, connect your ground wire to provided green ground wire on fixture.
8. Replace aluminum ballast cover and secure to ballast tray.
9. Install correct lamp as per label.
10. During final assembly of lens and frame to the fixture housing, start the two (2) socket head screws and tighten evenly.
11. Restore power and test fixture. If fixture does not turn on, disconnect power before checking for problem.

Note: Fixtures are listed for installation with liquid tight or rigid wall conduit only. through 7/8" diameter hole on slanted rear sides of fix-

GENERAL

1. Before starting the installation, disconnect the power by turning of the circuit breaker or by removing the fuse at the fuse box. Turning the power off at the light switch is not sufficient to prevent electrical shock.
2. To ensure the success of the installation, be sure to read these instructions and review the diagrams thoroughly before beginning.
3. All electrical connections must be in accordance with local codes, ordinances, or the national electrical code.

Note: The important safeguards and instructions appearing in this sheet are not meant to cover all possible conditions and situations that may occur.



Confidential

This document is the proprietary property of FC Lighting, Inc. Any unauthorized transfer, use, or reproduction is strictly prohibited.

©2003-2008, FC Lighting, Inc.