

READ AND SAVE THESE INSTRUCTIONS

INSTALLATION AND OPERATION

INSTRUCTIONS FOR: FC SL240 SERIES

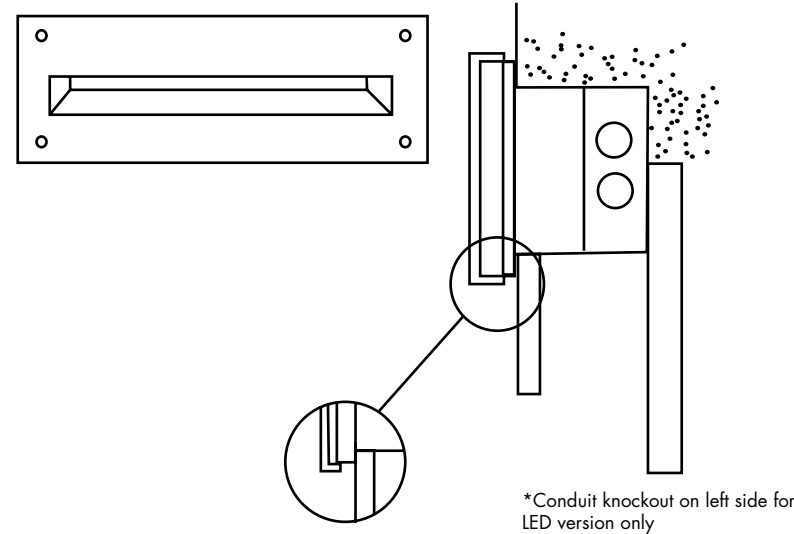
CAUTION: BEFORE CONNECTING THE FIXTURE TO A POWER SUPPLY, MAKE SURE THE POWER IS SWITCHED OFF.

GENERAL

1. Before starting the installation, disconnect the power by turning off the circuit breaker or by removing the fuse at the fuse box. Turning the power off at the light switch is not sufficient to prevent electrical shock.
2. To ensure the success of the installation, be sure to read these instructions and review the diagrams thoroughly before beginning.
3. All electrical connections must be in accordance with local codes, ordinances, or the National Electrical Code.
4. These fixtures are intended to be mounted to a 2" x 4" deep metal octagon outlet box. The box must be directly supported by the building structure.

NOTE: The important safeguards and instructions appearing in this manual are not meant to cover all possible conditions and situations that may occur.

- 1) Turn off electrical power before installing or maintaining any part of the fixture.
- 2) Remove the (4) four socket head screws holding the lens and frame from fixture.
- 3) Cut opening in wall 4 $\frac{5}{16}$ " high and 1 $\frac{1}{8}$ " wide for horizontal mounting.
NOTE: Factory recommended depth is 3 $\frac{5}{8}$ ".
- 4) Insert housing in wall. Secure housing to wall using toggle style fasteners provided on both ends of fixture. Tighten ends evenly. It is factory recommended to use a bead of silicone on back edge of housing to provide a waterproof seal between the fixture and the mounting surface, if surface is other than concrete.
- 5) When mounting for concrete pour, be sure to level and stabilize fixture. If provided back boxes less electrical assembly, be sure to cover all holes on back of fixture housing to prevent concrete from filling them. **NOTE:** Fixture must be installed so the back edge of housing is flush with finished wall. Factory recommended depth is 3 $\frac{5}{8}$ ".



- 6) Connect conduit or code approved electrical fitting through $\frac{7}{8}$ " diameter hole on slanted rear side of fixture (there are (2) two $\frac{7}{8}$ " holes provided for through-wiring. One will need to be plugged through-wiring is not used.).
- 7) After housing is mounted, connect the ground wire from power source to the green ground wire from the fixture.
- 8) Install correct lamp as indicated on fixture label.
- 9) During final assembly of lens and frame to the fixture housing, start the (4) four socket head screws and tighten evenly. **NOTE:** Lens frame may vary from drawing shown in instructions.
- 10) Restore power and test fixture. If fixture does not power on, disconnect power before checking for problems. **NOTE:** Fixtures are listed for installation with liquid tight or rigid wall conduit only.

CONFIDENTIAL

THIS DOCUMENT IS THE PROPRIETARY PROPERTY OF FC LIGHTING, INC. ANY UNAUTHORIZED TRANSFER, USE OR REPRODUCTION IS STRICTLY PROHIBITED.
©2010 FC LIGHTING, INC.



corporate
t 800.900.1730
f 630.889.8106
3609 Swenson Ave.
St. Charles, IL 60174