

READ & SAVE THESE INSTRUCTIONS
INSTALLATION & OPERATION
 INSTRUCTIONS FOR: **FCSL400 SERIES**

CAUTION: Before connecting the fixture to power supply, be sure that the power is switched off.



Headquarters
 t 800 900 1730
 f 630 889 8106
 3609 Swenson Ave.
 St. Charles, IL 60174 USA
www.fclighting.com

FCSL400 Series Steplight

1. Remove the faceplate/glass.
2. Remove the reflector/electrical assembly from inside housing.
3. For concrete pour construction: fixture must be installed so the back edge of housing is flush with finished wall.(fig. 2)
4. Knockout holes for through wiring are provided in the housing. Attach wiring system using 1/2" wiring connectors (by others).
5. Make power supply connections: Black from fixture to black of power supply. White from fixture to white of power supply. Green from fixture to green ground. Fixtures are suitable for a maximum of four (4) #12 AWG conductors plus ground conductors) rated at least 90°C.
6. Plug all holes not to be used to restrict concrete from entering cavity. Replace reflector/electrical assembly in housing.

Note: Be certain to position fixture so that faceplate mounting holes are aligned vertically.

7. Pour concrete. Verify fixture is level.
8. Install correct lamp (by others) as per label.
9. Replace faceplate and lens assembly.

Note: see page two for drywall applications.

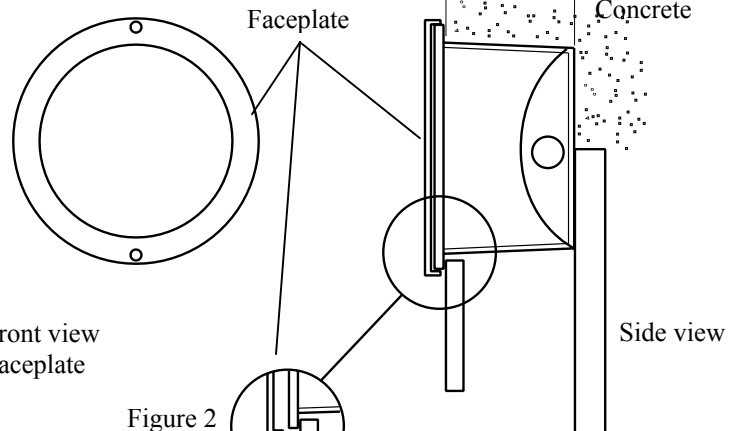
Note: Be certain to position fixture so that faceplate mounting holes are aligned vertically.

GENERAL

1. Before starting the installation, disconnect the power by turning of the circuit breaker or by removing the fuse at the fuse box. Turning the power off at the light switch is not sufficient to prevent electrical shock.
2. To ensure the success of the installation, be sure to read these instructions and review the diagrams thoroughly before beginning.
3. All electrical connections must be in accordance with local codes, ordinances, or the national electrical code.

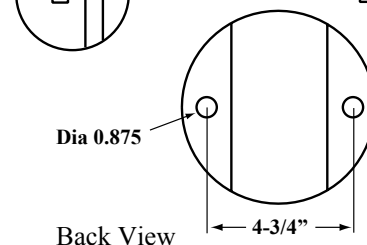
Note: The important safeguards and instructions appearing in this sheet are not meant to cover all possible conditions and situations that may occur.

Figure 1



Front view
Faceplate

Figure 2



Dia 0.875

Back View

Confidential

This document is the proprietary property of FC Lighting, Inc. Any unauthorized transfer, use, or reproduction is strictly prohibited.

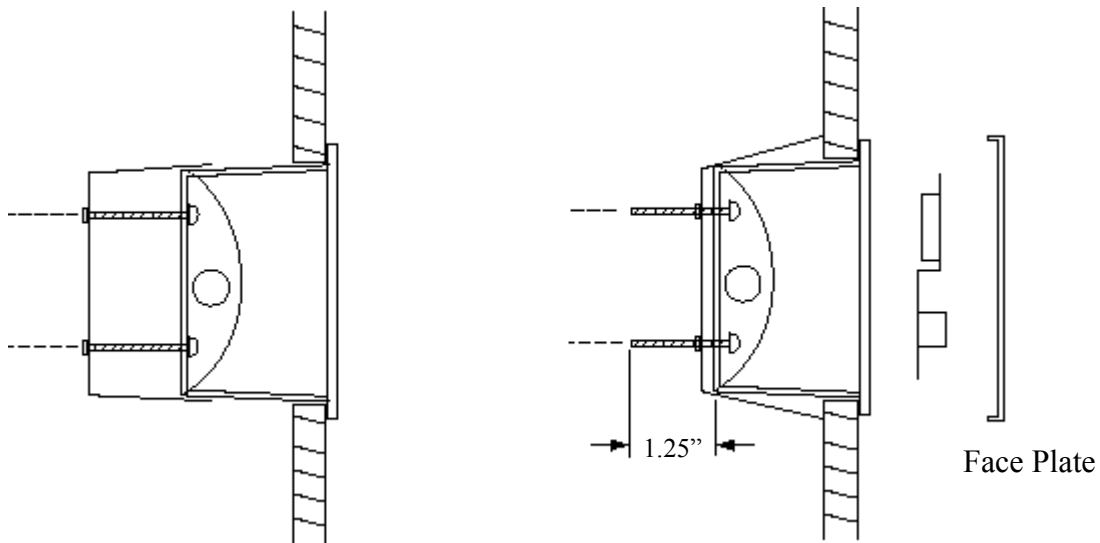
READ & SAVE THESE INSTRUCTIONS
INSTALLATION & OPERATION
INSTRUCTIONS FOR: **FCSL400 SERIES** (pg.2)



Headquarters
t 800 900 1730
f 630 889 8106
3609 Swenson Ave.
St. Charles, IL 60174 USA
www.fclighting.com

Interior application dry wall installation kit:

1.5", 8-32 screws recommended for the dry wall installation.



Confidential

This document is the proprietary property of FC Lighting, Inc. Any unauthorized transfer, use, or reproduction is strictly prohibited.

©2006, FC Lighting, Inc.