

**READ & SAVE THESE INSTRUCTIONS**  
**INSTALLATION & OPERATION**  
INSTRUCTIONS FOR: **FCSL440 SERIES**

**CAUTION:** Before connecting the fixture to power supply, be sure that the power is switched off.



Headquarters  
t 800 900 1730  
f 630 889 8106  
775 W. Belden Ave.  
Addison, IL 60101 USA  
[www.fclighting.com](http://www.fclighting.com)

**FCSL440 Series Steplight**

1. Remove the faceplate/glass.
2. Remove the reflector/electrical assembly from inside housing.
3. For concrete pour construction: fixture must be installed so the front edge of PVC exterior housing is flush with finished wall.(fig. 1)
4. Fixture supplied with cord and watertight fitting.
5. Make power supply connections: Black from fixture to black of power supply. White from fixture to white of power supply. Green from fixture to green ground.
6. Plug all holes not to be used to restrict concrete from entering cavity. Replace reflector/electrical assembly in housing.

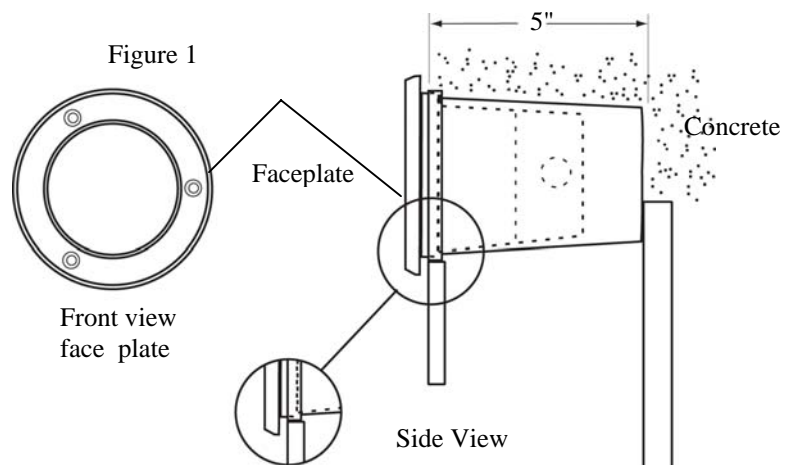
**Note:** Be certain to position fixture so that the knockout hole is on the side and not on top or bottom.

7. Pour concrete. Verify fixture is level.
  8. Install correct lamp (by others) as per label.
  9. Replace faceplate and lens assembly.
- Note:** see page two for drywall applications.  
35WQ T4 lamp available at PECLamp.com.

**GENERAL**

1. Before starting the installation, disconnect the power by turning of the circuit breaker or by removing the fuse at the fuse box. Turning the power off at the light switch is not sufficient to prevent electrical shock.
2. To ensure the success of the installation, be sure to read these instructions and review the diagrams thoroughly before beginning.
3. All electrical connections must be in accordance with local codes, ordinances, or the national electrical code.

**Note:** The important safeguards and instructions appearing in this sheet are not meant to cover all possible conditions and situations that may occur.



**Confidential**

This document is the proprietary property of FC Lighting, Inc. Any unauthorized transfer, use, or reproduction is strictly prohibited.

©2004 -2007, FC Lighting, Inc.

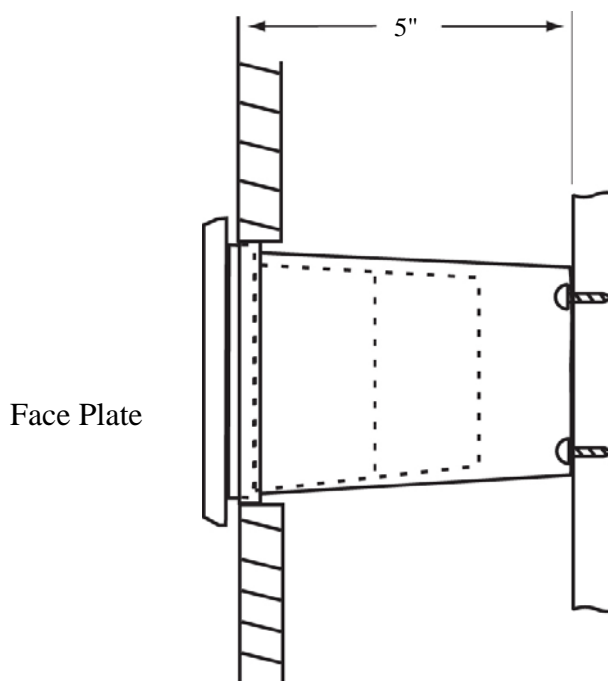
**READ & SAVE THESE INSTRUCTIONS**  
**INSTALLATION & OPERATION**  
INSTRUCTIONS FOR: FC SL440 SERIES (pg.2)



Headquarters  
t 800 900 1730  
f 630 889 8106  
775 W. Belden Ave.  
Addison, IL 60101 USA  
[www.fcighting.com](http://www.fcighting.com)

**Dry wall installation kit:**

Make 4.67" Diameter and 5" deep hole in the dry wall for this installation. Mount the PVC to the structure using two screws 1.58" apart at the base of the collar. Make sure front of collar is flush with the wall.



**Confidential**

This document is the proprietary property of FC Lighting, Inc. Any unauthorized transfer, use, or reproduction is strictly prohibited.

©2004 – 2007, FC Lighting, Inc.