

**READ & SAVE THESE INSTRUCTIONS**  
**INSTALLATION & OPERATION**  
 INSTRUCTIONS FOR: **FCSLR800 Series**

**CAUTION:** Before connecting the fixture to power supply, be sure that the power is switched off.



Headquarters  
 t 800 900 1730  
 f 630 889 8106  
 3609 Swenson Ave.  
 St. Charles, IL 60174 USA  
[www.fclighting.com](http://www.fclighting.com)

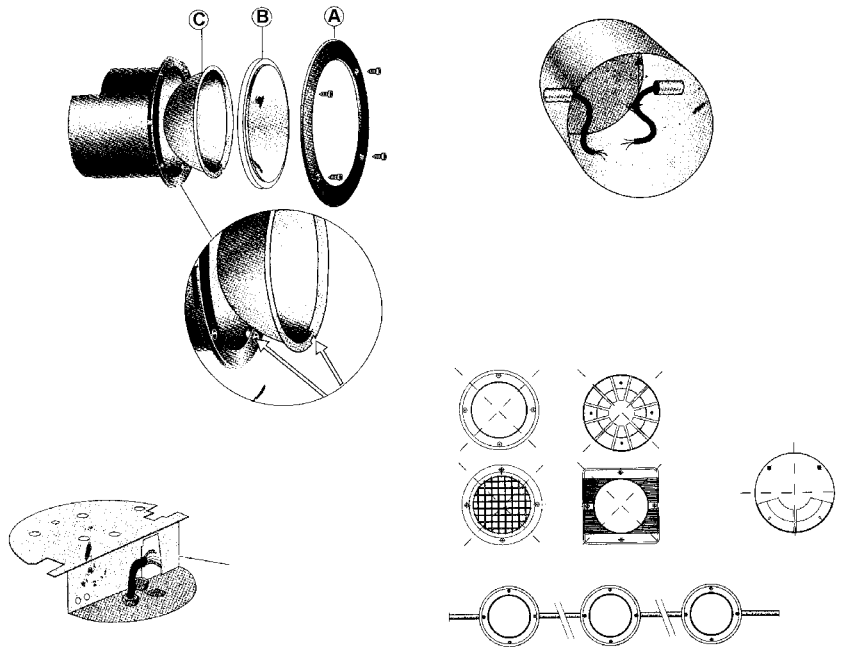
**Instructions:**

1. Fixture safety is warranted only by proper use of the following instructions: please save them.  
**Note:** Before connecting the fixture to power supply, be sure that the power is switched off.
  2. Unscrew ring (A), take off glass (B), and the cup (C). Make hole in the wall with a minimum diameter of 8-1/4" , and minimum depth of 6-3/4" in which the feeding cable has already been predisposed.
  3. Make power supply connections to fixture.
  4. Replace cup (C) and lamp per label requirements. (Lamps are provided by others.)
  5. Replace glass (B), and screw ring (A) into place.
- For drywall install use provided frame, mounting hanger bars to studs.

**GENERAL**

1. Before starting the installation, disconnect the power by turning of the circuit breaker or by removing the fuse at the fuse box. Turning the power off at the light switch is not sufficient to prevent electrical shock.
2. To ensure the success of the installation, be sure to read these instructions and review the diagrams thoroughly before beginning.
3. All electrical connections must be in accordance with local codes, ordinances, or the national electrical code.
4. These fixtures are intended to be mounted to a 4" x 2-1/8" deep metal octagon outlet box.

**Note:** The important safeguards and instructions appearing in this manual are not meant to cover all possible conditions and situations that may occur.



**Confidential**

This document is the proprietary property of FC Lighting, Inc. any unauthorized transfer, use, or reproduction is strictly prohibited.

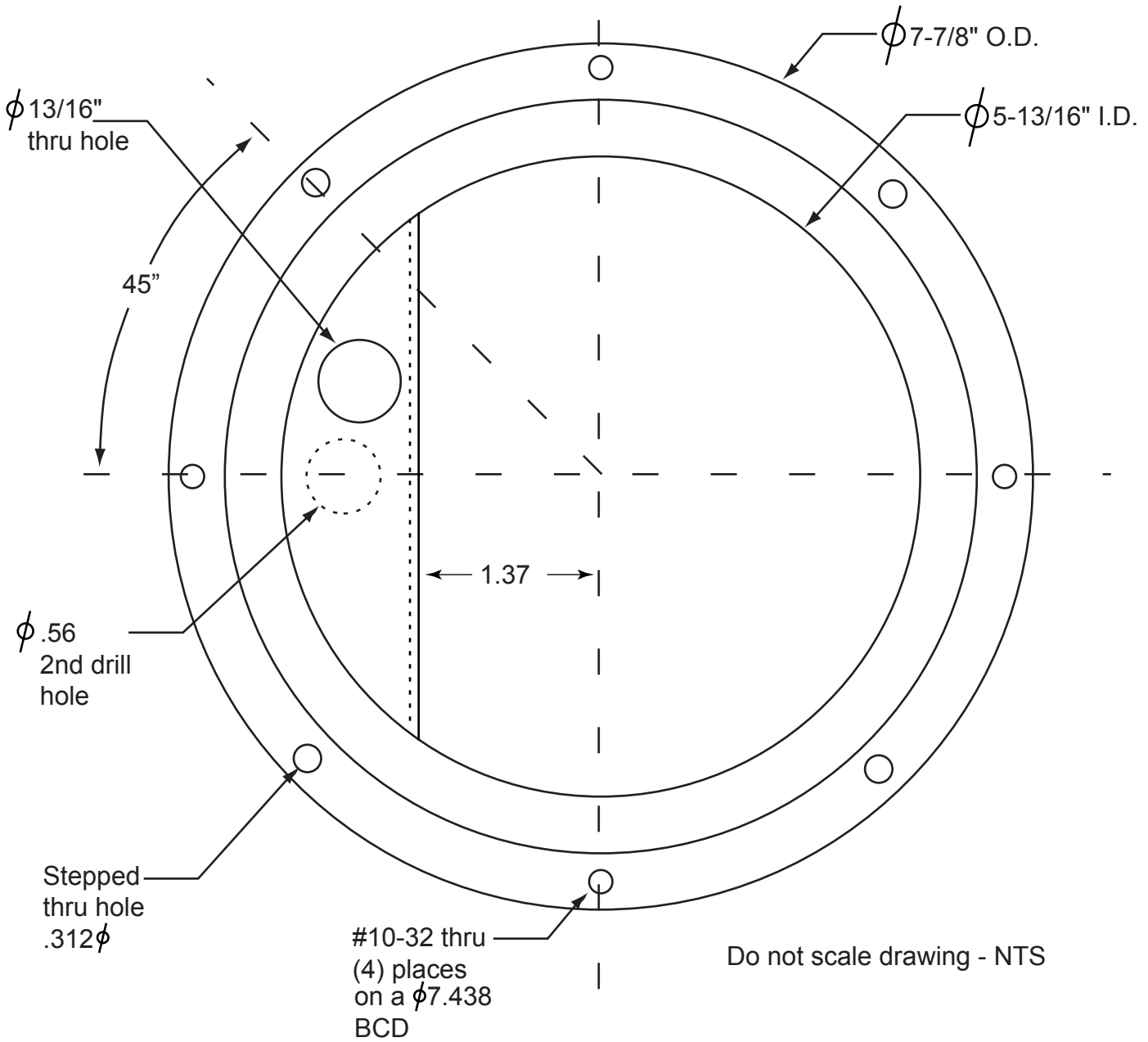
©2004-2006, FC Lighting, Inc.

**READ & SAVE THESE INSTRUCTIONS**  
**INSTALLATION & OPERATION**  
 INSTRUCTIONS FOR: FCSLR800 Series (pg 2)



Headquarters  
 t 800 900 1730  
 f 630 889 8106  
 3609 Swenson Ave.  
 St. Charles, IL 60174 USA  
[www.fclighting.com](http://www.fclighting.com)

FCSLR800 series mounting detail. NTS



**Confidential**

This document is the proprietary property of FC Lighting, Inc. any unauthorized transfer, use, or reproduction is strictly prohibited.

©2004-2006, FC Lighting, Inc.