

**READ & SAVE THESE INSTRUCTIONS**  
**INSTALLATION & OPERATION**  
INSTRUCTIONS FOR: FCWS9003 SERIES

**CAUTION:** Before connecting the fixture to power supply, be sure that the power is switched off.



Headquarters  
t 800 900 1730  
f 630 889 8106  
3609 Swenson Ave.  
St. Charles, IL 60174 USA  
[www.fclighting.com](http://www.fclighting.com)

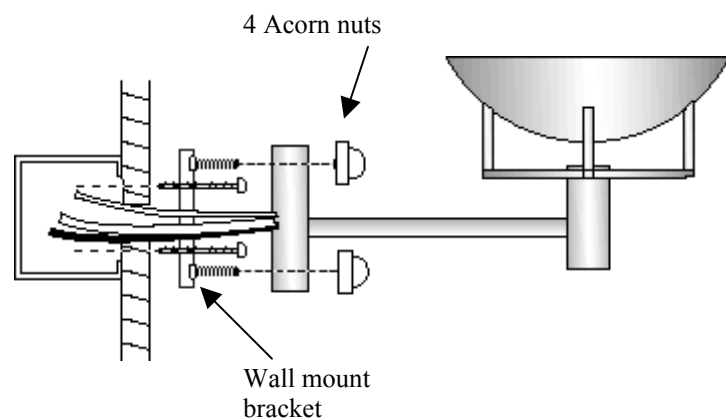
**Note:** Before connecting the fixture to power supply, be sure that the power is switched off.

1. Fixture safety is warranted only by proper use of the following instructions: please save them.
2. First remove wall mount bracket from fixture arm by loosening the set Acorn nuts. Install mounting plate to mounting surface using appropriate screws (Not included with the fixture).
3. Make power supply connections.
4. Secure the housing to the mounting plate on the wall using the Acorn nuts.
5. Use a bead of silicone caulk around the edge of the mounting plate where it meets the mounting surface to create waterproof seal between the fixture and the wall.
6. Install the lamp per label requirements inside the globe. (Lamps are not included)

**GENERAL**

1. Before starting the installation, disconnect the power by turning of the circuit breaker or by removing the fuse at the fuse box. Turning the power off at the light switch is not sufficient to prevent electrical shock.
2. To ensure the success of the installation, be sure to read these instructions and review the diagrams thoroughly before beginning.
3. All electrical connections must be in accordance with local codes, ordinances, or the national electrical code.
4. These fixtures are intended to be mounted to a 4" x 2-1/8" deep metal octagon outlet box. The box must be directly supported by the building structure.

**Note:** The important safeguards and instructions appearing in this manual are not meant to cover all possible conditions and situations that may occur.



**Confidential**

This document is the proprietary property of FC Lighting, Inc. Any unauthorized transfer, use, or reproduction is strictly prohibited.

©2003-2006, FC Lighting, Inc.