

READ & SAVE THESE INSTRUCTIONS
INSTALLATION & OPERATION
INSTRUCTIONS FOR: **FCWS9007 - 9**

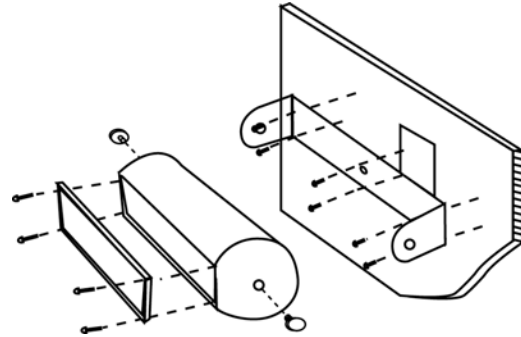
CAUTION: Before connecting the fixture to power supply, be sure that the power is switched off.



Headquarters
t 800 900 1730
f 630 889 8106
3609 Swenson Ave.
St. Charles, IL 60174 USA
www.fclighting.com

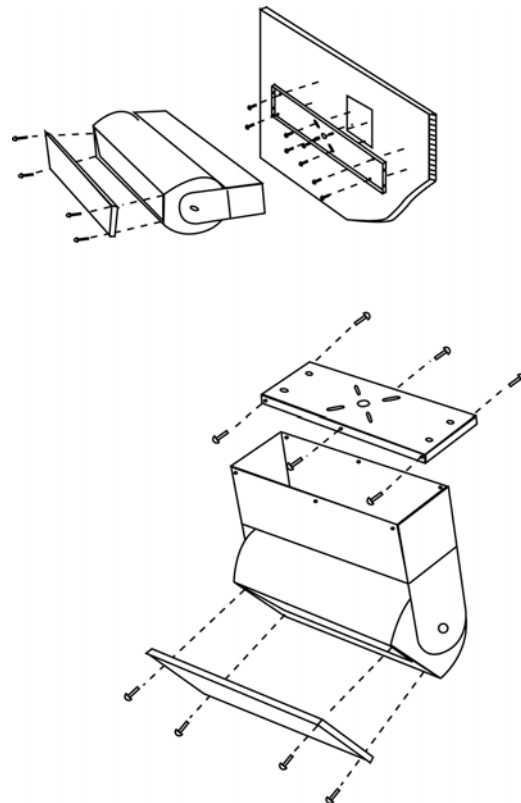
WITHOUT BALLAST BOX OPTION:

1. Remove the yoke arm from the fixture by unscrewing the knobs.
2. Attach the yoke arm, to the mounting surface by using the star mount pattern available (if available) and additional mounting holes provided.
3. Take the wires from the fixture and do the supply wire connection in a standard J-Box.
4. Attach the rest of the fixture assembly to the yoke arm, which is secured to the wall.
5. Carefully remove the lens frame from the fixture by unscrewing the two screws, which holds the lens frame to the housing.
6. Lamp the fixture according to the label.
7. Attach the lens frame back to the fixture housing.



WITH BALLAST BOX OPTION:

1. Carefully remove the lens frame from the fixture by unscrewing the two screws, which holds the lens frame to the housing.
2. Lamp the fixture according to the label.
3. Remove the ballast box cover from the fixture.
4. Make the supply wire connection.
5. Mount the ballast box cover to the J-Box using the star mounting pattern available in the ballast box cover.
6. Use the additional holes provided in the ballast box cover to secure the ballast box cover to the mounting surface.
7. Attach the rest of the fixture assembly to the ballast box cover using screws that was used to disassemble the ballast box cover.
8. Attach the lens frame back to the fixture housing.



GENERAL

1. Before starting the installation, disconnect the power by turning of the circuit breaker or by removing the fuse at the fuse box. Turning the power off at the light switch is not sufficient to prevent electrical shock.
2. To ensure the success of the installation, be sure to read these instructions and review the diagrams thoroughly before beginning.
3. All electrical connections must be in accordance with local codes, ordinances, or the national electrical code.
4. These fixtures are intended to be mounted to a 4" x 2-1/8" deep metal octagon outlet box. The box must be directly supported by the building structure.

Note: The important safeguards and instructions appearing in this manual are not meant to cover all possible conditions and situations that may occur.

Fig. 1 – Yoke arm FCWS9007 hole pattern

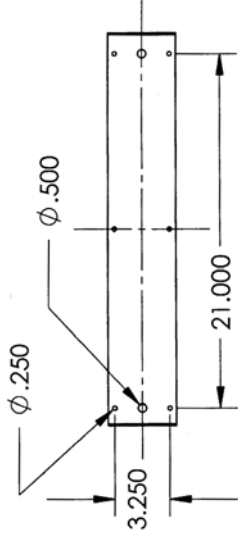
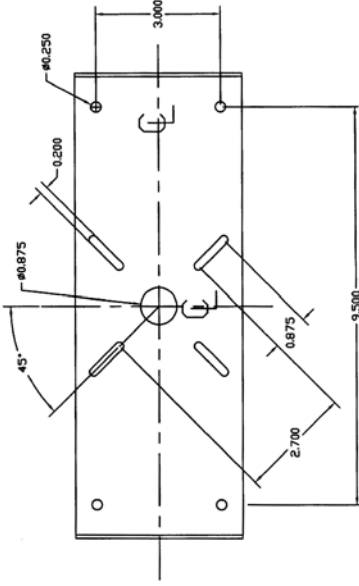


Fig. 3 – ballast box cover FCWS9007 hole pattern

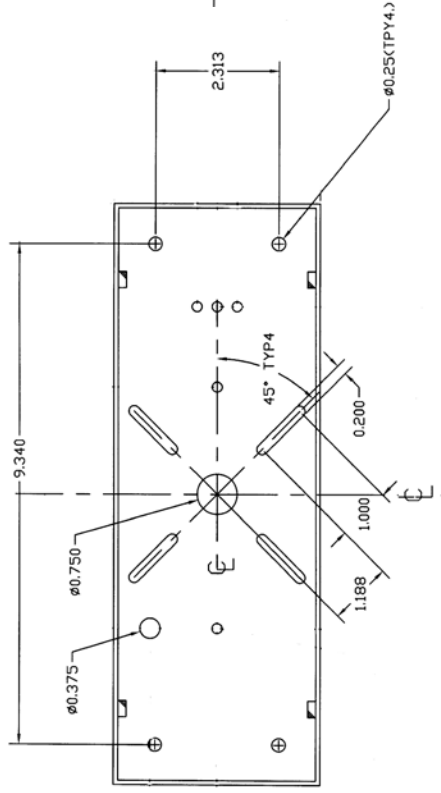
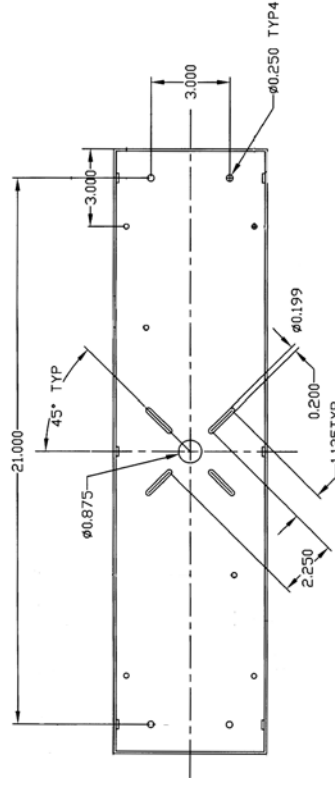


Fig. 4 – ballast box cover FCWS9008 hole pattern



Confidential

This document is the proprietary property of FC Lighting, Inc. Any unauthorized transfer, use, or reproduction is strictly prohibited.

©2003-2006, FC Lighting, Inc.