



Type:	Approved:
Fixture:	
Project:	

## FCC Series

6" die-cast aluminum down light, surface mount cylinder with wall/ceiling mount or fixture mount emergency test switch



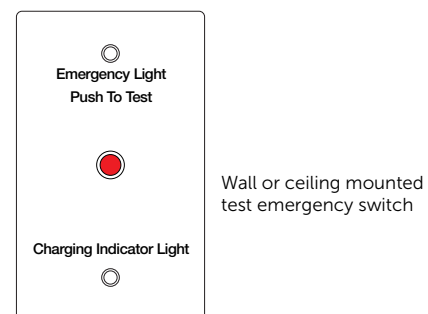
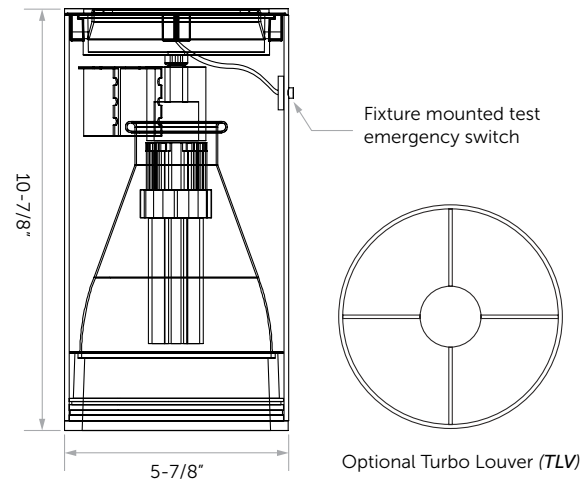
### Catalog Number

Series	Voltage	Source/ Wattage	Ballast	Finish	Accessories	
FCC610	120V	13Q 75W PAR 30L 20MH G12	LED *min 700 Lumens	E Electronic	BK Black	EC E-Coat
FCC610P	277V	18T 90W PAR 38 39MH G12			WH White	EMR Emergency Backup, Remote (PL only-wall or ceiling mounted)
FCC610W (Canada)	347V	26T 150W PAR 38			CC Custom Color	EMRF Emergency Backup, Remote (PL only-fixture mounted)
						F Fuse
						D Dimming (consult factory)
						TLV Turbo Louver

### Product Information

<b>Listing</b>	UL listed for wet location in down position.
<b>Housing</b>	Marine grade, corrosion resistant, heavy walled, high pressure die-cast aluminum construction with die-cast back mounting plate and extruded aluminum body.
<b>Baffle</b>	Bottom - die cast aluminum baffle in fixture color unless otherwise specified.
<b>Gasket</b>	Neoprene continuous closed cell gasket to seal out contaminants.
<b>Fasteners</b>	Hidden fasteners allow for cover removal to facilitate installation and service.
<b>Diffuser</b>	Bottom lens is 1/4" tempered clear, heat resistant standard.
<b>Socket</b>	<b>PL:</b> Four pin plug-in type compact fluorescent lamp holder (lamp by others). Holder assures precise optical alignment. <b>INC (120V only):</b> Medium base porcelain socket. Nickel plated shell, spring loaded contact and double silicone jacket wire with a 200°C rating (lamps by others). <b>HID:</b> G12 base for 20MH.
<b>LED</b>	Stated minimum lumens are delivered out of the luminaire. LED lifetime is greater than 60,000 hours with the lumen depreciation greater than L70. All of our luminaire tested to LM 80 with a minimum CRI of 80 and color consistency of MacAdam Ellipse step 4. Integral power supply standard. Consult factory for dimming, all RGB color changing and any single color options. Input voltage 120V or 277V.
<b>Finish</b>	Seven stage preparation process that includes TGIC super polyester powder-coat is standard. Optional E-Coat process added to standard finish including zinc phosphate.
<b>Mounting</b>	Mounts directly to standard outlet box.
<b>Options</b>	<b>PL:</b> Fuses, dimming ballasts and emergency battery packs are also available. Battery packs are remote mount only.

### Product Dimensions



FC Lighting, Inc. reserves the right to change, without notice, details or specifications in product design. Product use certifies agreement to FCL's terms and conditions.