



corporate  
t 800 900 1730  
f 630 889 8106  
3609 Swenson Ave  
St. Charles, IL 60174

## FCD Series

Exterior 316 stainless steel below-grade mounted fixture

New!



Drive-over

### Catalog Number

Series	Voltage	Source/Wattage	Ballast	Finish	Accessories
FCD1210	120V	<u>FCD1210</u>	E Electronic	SS Stainless steel	F Fuse
FCD910	277V	INC HID	M Magnetic		LVR Louver
		100 Par38 39MH G12			SB Sandblasted lens
		70MH G12			SPVC PVC sleeve
		70MH Par 30			
		<u>FCD910</u>			
		INC HID			
		75 Par30 39MH G12			

### Product Information

**Labeling:** U.L. listed for wet locations.

**Housing:** Deep drawn marine grade 316 stainless steel. Outdoor in-ground fixtures require drainage.

**Faceplate:** Machined 316 stainless steel.

**Gasket:** Continuous closed cell 'O' ring gasket to seal out contaminants.

**Fasteners:** Captive and recessed stainless steel, tamper resistant, hex socket screws.

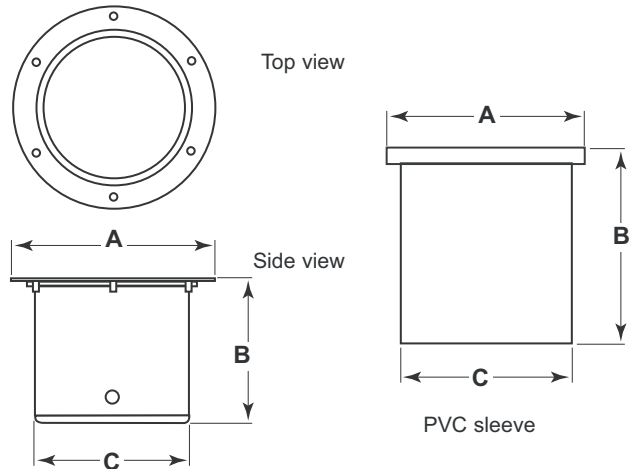
**Diffuser:** Lens is 3/8" thick, tempered clear, heat resistant, standard.

**Socket: INC (120V only):** Medium base porcelain socket. Nickel plated shell, spring loaded contact. HID wire is double silicone jacket wire with a 200°C rating. **HID:** Medium base pulse rated 4KV porcelain socket. Nickel plated shell, spring loaded contact. G12 base porcelain socket.

**Ballast: HID:** Integral dual voltage (120/277) core and coil, high power factor, thermally protected ballast, standard. Electronic also available.

**Finish:** Stainless steel with clear coat, also available with our five stage preparation process that includes ion phosphate and TGIC super polyester powder-coat is standard. Optional E-coat process added to standard finish including zinc phosphate.

**Mounting:** Concrete pour. Below grade optional PVC sleeve.



Catalog#	A	B	C
FCD1210	13-3/4"	11-1/2"	12"
Sleeve	13-1/2"	14"	13"
FCD910	10-1/8"	9-3/8"	9-1/2"
Sleeve	9-7/8"	12-3/4"	9-3/4"

