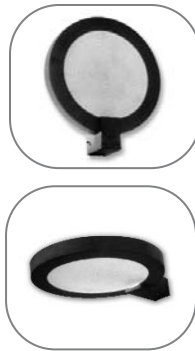




corporate
t 800 900 1730
f 630 889 8106
775 W Belden Ave
Addison, IL 60101

FCW Series

Die cast vertical or horizontal mounted disk wall sconce



Catalog Number

Series	Voltage	Wattage	Ballasts	Finish	Accessories
FCW1201V	120V	40W T5 circline	E Electronic only	BK Black	CF Color filter
FCW1201H	277V	55W T5 circline H.O.		SA Satin aluminum	EC E-coat
	347V (Canada - consult factory)			WH White	EMR Emergency back-up, remote (PL only)
				CC Custom color	F Fuse

Product Information

Listing: U.L. listed

Housing: Marine grade corrosion resistant heavy wall high pressure die-cast aluminum construction, with die-cast back mounting plate.

Gasket: Extruded silicone, to provide maximum protection against contaminants.

Fasteners: Captive and recessed stainless steel, tamper resistant, hex socket screws.

Diffuser: Impact resistant frosted glass diffuser with concentric circles.

Socket: 2GX-13

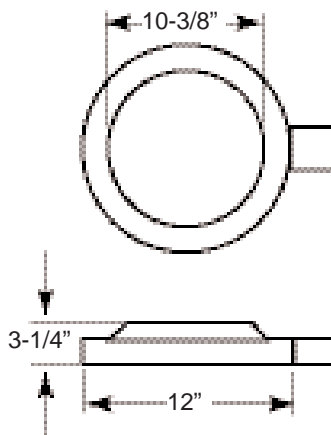
Ballast: Fluorescent high power factor electronic, U.L. listed ballast standard.

Finish: Five stage preparation process that includes chromate conversion and TGIC super polyester powder-coat is standard. Optional E-coat process added to standard finish including zinc phosphate.

Mounting: Unit mounts to standard electrical box.

Options: Emergency battery pack available, remote mounting only.

FCW1201H



FCW1201V

