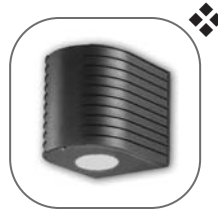


FCWS Series

Die cast aluminum
up / down wall light
interior / exterior



Wall sconce

corporate
t 800 900 1730
f 630 889 8106
3609 Swenson Ave
St. Charles, IL 60174

Catalog Number

Series	Voltage	Wattage	Ballast	Finish	Distribution	Accessories
FCWS6375 Down	120V	75WQ T4 39MH G12	E Electronic	BK Black	1	EC E-coat
FCWS6376 Up/Down	277V	▷100WQ -T4 ▷70MH G12 150WQ- T4 150MH G12◁		WH White	2▼	F Fuse
				CC Custom color	2A▼	LRI Long range igniter
					3	BB Ballast box
					4	
					5	
					6	
					7	
					8	

- ▷ Recommended lamping
- ◁ Remote ballast only
- ▼ FCWS6375 only

Product Information

Listings: U.L. listed for wet locations.

Housing / Ballast box: Marine grade corrosion resistant heavy walled high pressure die-cast aluminum construction. Ballast box is required with 39 and 70MH.

Gasket: Extruded silicon to provide maximum protection and to seal out contaminants.

Fasteners: Captive and recessed stainless steel, tamper resistant, hex socket screws.

Diffuser: Standard superior lens, flame hardened glass partially sandblasted.

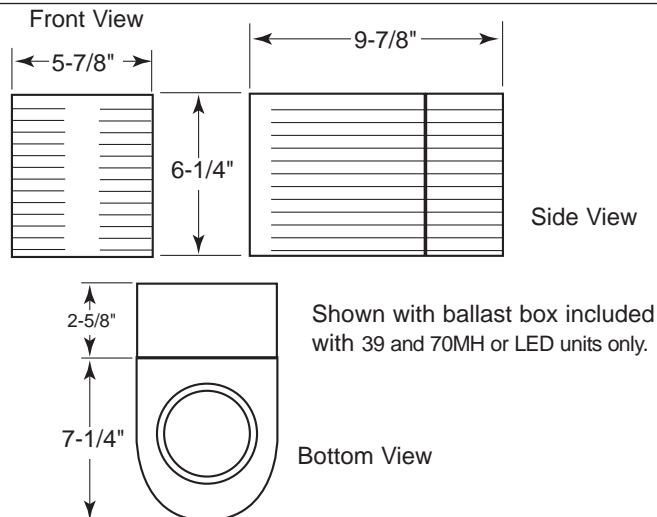
Socket: INC (120V only): Mini-can base for incandescent quartz, 120V only. **HID:** G12 base porcelain socket, and double silicone jacket wire with a 200°C rating.

Ballast: HID: Remote electronic ballast standard for 150MH. Integral electronic ballast for 39 and 70MH. Ballast is thermally protected and is rated HPF > 90% THD < 10%. Ballast has a 5 year warranty.

Distribution: Light patterns options allow for varying degree of light emitted. Factory adjusted.

Finish: Five stage preparation process that includes chromate conversion and TGIC super polyester powder-coat as standard. Optional E-coat process added to standard finish including zinc phosphate.

Mounting: To standard electrical box, in masonry, use 4 x .250" x .750" screws with lead anchors. (Box and fasteners by others.)



Light pattern options

