

FCWS Series

Shadow-free ADA half round wall sconce



Wall sconce

corporate
t 800 900 1730
f 630 889 8106
3609 Swenson Ave
St. Charles, IL 60174

Catalog Number

Series	Face	Voltage	Wattage	Ballast	Finish	Accessories
FCWS7168	A	120V	<u>FCWS7168</u>	E Electronic	BA Brushed aluminum	BS Bi-level switching
FCWS7170	B	277V	2/13Q		CC Custom color	D Dimming (PL only, 39BX/26Q or above)
FCWS7171	D	347V (Canada)	2/26Q 36 BX ▷39 BX			EC E-coat F Fuse FA Faux alabaster X Exterior option (consult factory for wet location)
			<u>FCWS7170</u> 40 BX ▷50 BX 55 BX			
			<u>FCWS7171</u> 2/28W T5 2/40 BX 2/55 BX ▷32W T8 105 BX			

▷ Recommended lamping

Product Information

Listing: UL listed for damp location. Meets ADA requirements.

Housing: Heavy gauge aluminum back housing seams are welded and polished, fitted with heavy gauge aluminum bar stock guard. Tamper proof stainless steel fasteners.

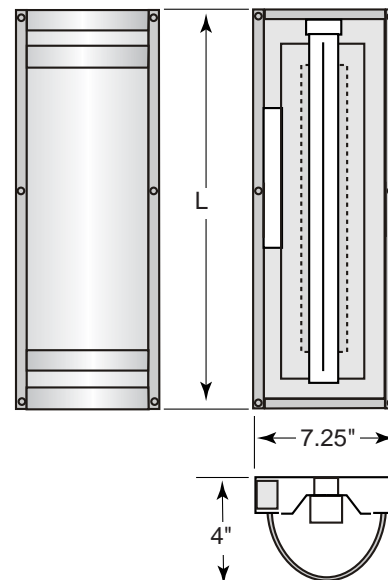
Diffuser: Front lens with seamed top and bottom lens, opal polycarbonate. Front access for easy relamping. Shadow free illumination for 36, 39 BX (FCWS7168); 50 BX (FCWS7170) and 105BX (FCWS7171).

Socket: Four pin plug-in type compact fluorescent lamp holder, mounting assures precise optical alignment. (Lamps by others).

Ballast: Integral electronic fluorescent high power factor, U.L. listed ballast, standard.

Finish: Five stage preparation process that includes chromate conversion and TGIC super polyester powder-coat is standard. Optional E-coat process added to standard finish including zinc phosphate.

Mounting: To standard electrical box, in masonry, use 4 x .250" x .750" screws with lead anchors. (Box and fasteners by others.)



Catalog#	Length(L)	Lamps
FCWS7168	18-1/2"	2-13Q, or 26Q; 1-36 BX or 39 BX
FCWS7170	24"	1-40BX, 50 BX or 55 BX
FCWS7171	50"	2-28W T5; 1-32W T8; 2- 40 BX or 55 BX or 1-105BX

FCWS Series

**Shadow-free ADA
half round wall sconce**



Wall sconce

corporate
t 800 900 1730
f 630 889 8106
3609 Swenson Ave
St. Charles, IL 60174

Catalog Number

This series' face styles are depicted below and are denoted by the letter placed above them, this letter should be used as a suffix to the model number, with the exception of the standard faceplate. The series number indicates the size of the unit which determines the lamping available for that fixture. (Chart provided on previous page.) If you have any questions or special requirements, please contact your representative via email or phone.

