

FCC608WSS & FCCSQ608WSS (Wall Mount) - INSTALLATION INSTRUCTIONS

CAUTION: BEFORE CONNECTING THE FIXTURE TO A POWER SUPPLY, MAKE SURE THE POWER IS SWITCHED OFF.



FC
OUTDOOR LIGHTING

t 800.900.1730 f 630.889.8106
3609 Swenson Ave. St. Charles, IL 60174

GENERAL:

1. Fixture must be installed by licensed electrician.
2. All electrical connections must be in accordance with local codes, ordinances, or the National Electrical Code.
3. Before starting the installation, make sure all electricity has been turned off and electrical breaker has been locked out and tagged out.
4. To ensure the success of the installation, be sure to read these instructions and review the diagrams thoroughly before beginning.

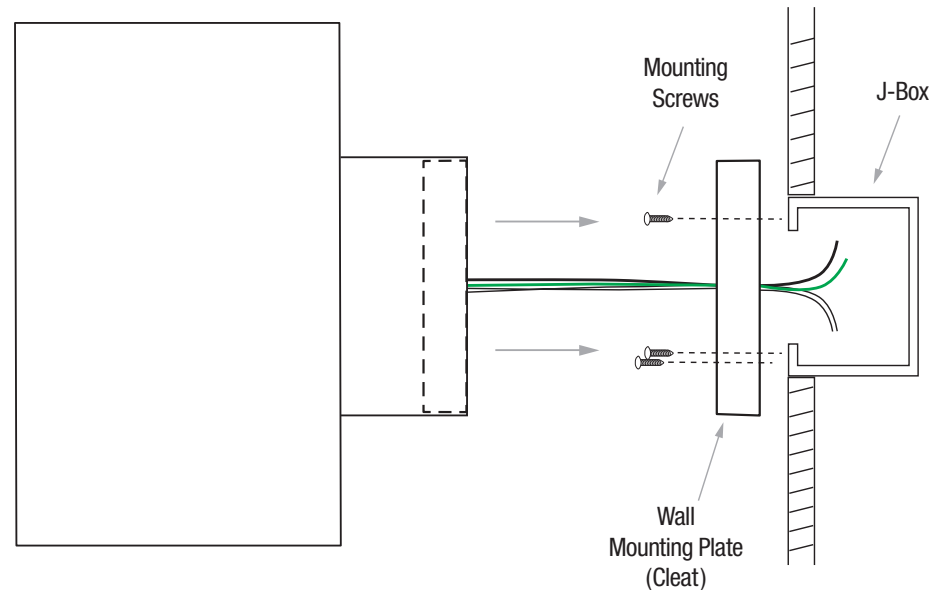
NOTE: The important safeguards and instructions appearing in this manual are not meant to cover all possible conditions and situations that may occur.

INSTALLATION INSTRUCTIONS:

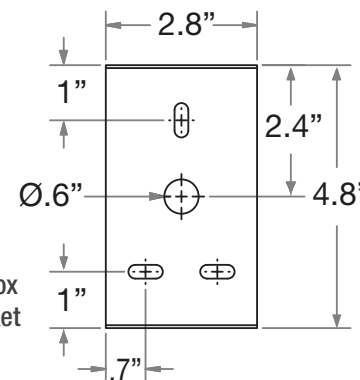
- 1) Make the wiring connections at the J-Box. Then remove the Mounting Plate from the back of the cylinder by unscrewing the slotted Set Screws.
- 2) Use J-Box Mounting Screws to fasten the Mounting Plate to the J-Box on the intended surface.
- 3) Reattach the cylinder to the mounting plate using (2) top and (1) bottom Set Screws. Tighten them evenly to ensure fixture is level.
- 4) For exterior applications, **installer must silicone caulk** the outer edge of the fixture that comes in contact with the mounting surface. This is critical for a safe and reliable installation.
- 5) Restore power to circuit then test fixture.

NOTE: LED lamping is integral and NOT intended for general servicing.
J-Box varies per model. Match your model and J-Box from the chart below.

DETAILED ILLUSTRATION



MOUNTING PLATE



Wall Mount J-Box
Mounting Bracket
(Included)