

FCSL902 & SL1502 - INSTALLATION INSTRUCTIONS

CAUTION: BEFORE CONNECTING THE FIXTURE TO A POWER SUPPLY, MAKE SURE THE POWER IS SWITCHED OFF.



† 800.900.1730 f 630.889.8106
3609 Swenson Ave. St. Charles, IL 60174

DETAILED ILLUSTRATION

GENERAL:

1. Before starting the installation, make sure all electricity has been turned off and electrical breaker has been locked out and tagged out.
2. To ensure the success of the installation, be sure to read these instructions and review the diagrams thoroughly before beginning.
3. All electrical connections must be in accordance with local codes, ordinances, or the National Electrical Code.

NOTE: The important safeguards and instructions appearing in this manual are not meant to cover all possible conditions and situations that may occur.

INSTALLATION:

NOTE: Product may ship assembled, otherwise backboxes are shipped ahead of time for concrete pour and conduit connection.

- 1) If assembled, remove the faceplate, lens and gasket. Then remove the LED component assembly and the "z" brackets below it, to prepare the backbox for concrete pour.
- 2) Secure the backbox in place (recessed 1/8" into finished surface) to the construction to prepare for concrete pour and connect conduit. Ensure that the backbox is level on all sides prior to pouring concrete. Then seal any openings inside the housing to avoid cement leaking inside the backbox housing.

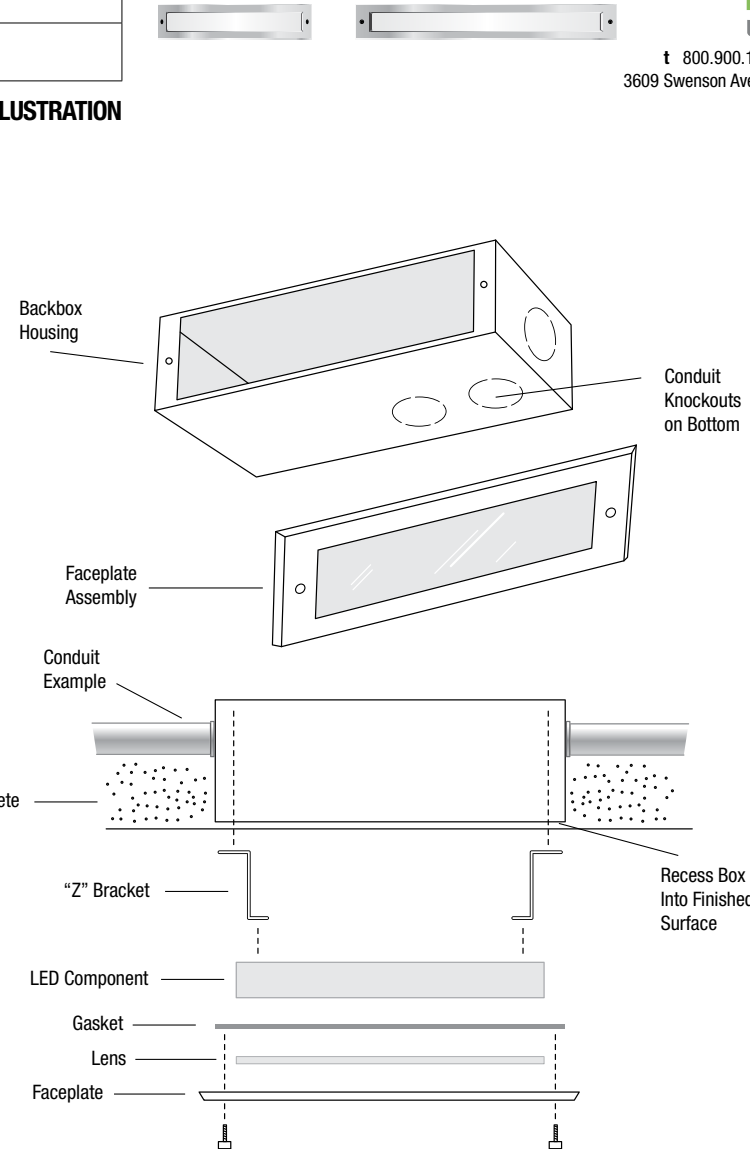
NOTE: Through wiring can be completed with conduit connected to the fixture end-to-end or using either of the two knockouts on the bottom of the housing.

IMPORTANT: Knockouts must be on bottom when installed.

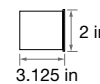
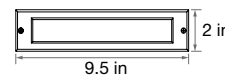
- 3) Once the concrete is set and electrical wiring has been pulled into the backbox, make connections to the LED component assembly in accordance with National Electrical Code (NEC) and/or local electrical codes.
- 4) Reinstall the "z" brackets and LED component assembly into the backbox housing.
- 5) Replace the gasket, lens and faceplate using provided stainless steel hex screws. Tighten screws evenly to create a proper seal.
- 6) Installer should place a bead of silicone between the faceplate and the mounting surface to help redirect water and other elements away from the fixture seal.

NOTE: Fixtures are listed for installation with liquid tight or rigid wall conduit only. Fixtures installed without a silicone bead will void the warranty.

IMPORTANT: All FC|SSL products can be cleaned with non-abrasive and chemical free agents. Use a soft cloth with mild detergent on exterior only.



FCSL902



FCSL1502

