

FCW3360, 62, 63 - 14" Square Series w/Back Gasket (Effective Sept. 2022)
INSTALLATION INSTRUCTIONS

CAUTION: BEFORE CONNECTING THE FIXTURE TO A POWER SUPPLY, MAKE SURE THE POWER IS SWITCHED OFF.



GENERAL:

1. Before starting the installation, make sure all electricity has been turned off and electrical breaker has been locked out and tagged out.
2. To ensure the success of the installation, be sure to read these instructions and review the diagrams thoroughly before beginning.
3. All electrical connections must be in accordance with local codes, ordinances, or the National Electrical Code.
4. These fixtures are intended to be mounted directly to the building structure, installed over a J-Box or conduit outing.
5. All luminaires to be installed by a qualified electrician.

NOTE: The important safeguards and instructions appearing in this manual are not meant to cover all possible conditions and situations that may occur.

INSTALLATION

1. Loosen 4 bolts to remove Lens, Gasket, and Lens Frame to access screws to LED/Driver Tray, remove screws securing LED/Driver Tray and retain screws for later use.

IMPORTANT: Notice Lens Frame orientation for ASYMMETRICAL Models.

2. Before mounting center over J-Box if used, secure to surface with screws (provided by others 1/4" nominal diameter).

IMPORTANT: Ensure fixture is level before tightening.

3. Connect wires from source to fixtures.

IMPORTANT: Make sure all connections follow code requirements.

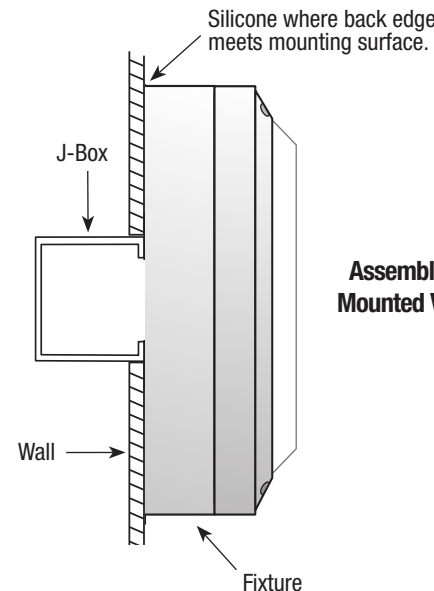
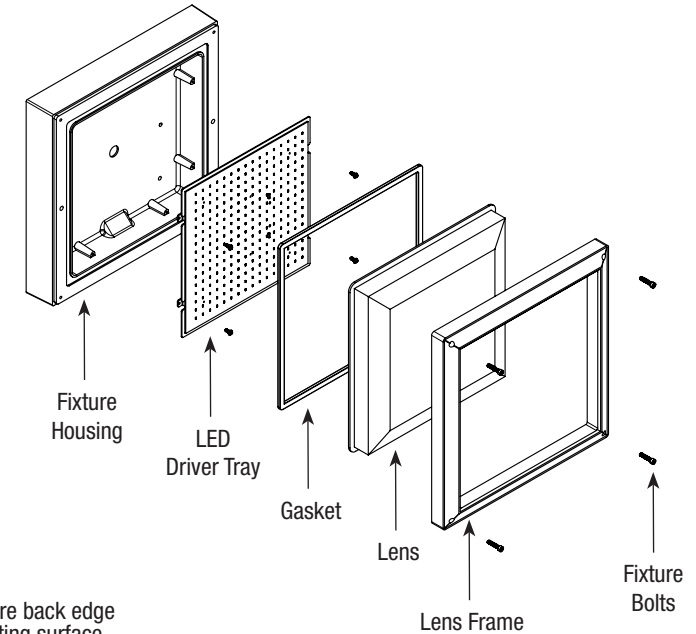
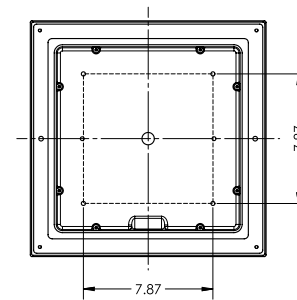
4. Re-attached the LED/Driver Tray with retained screws from step 1.

5. Re-attached Lens, Gasket, and Lens Frame to fixture.

IMPORTANT: All FC|SSL products can be cleaned with non-abrasive and chemical free agents. Use a soft cloth with mild detergent on exterior only.

DETAILED ILLUSTRATIONS

Front View



**Assembled/
Mounted View**

FCW3360, 62, 63 - 14" Square Series w/Conduit Surface Mount (CSM) (Effective Sept. 2022)
INSTALLATION INSTRUCTIONS

CAUTION: BEFORE CONNECTING THE FIXTURE TO A POWER SUPPLY, MAKE SURE THE POWER IS SWITCHED OFF.



GENERAL:

1. Before starting the installation, make sure all electricity has been turned off and electrical breaker has been locked out and tagged out.
2. To ensure the success of the installation, be sure to read these instructions and review the diagrams thoroughly before beginning.
3. All electrical connections must be in accordance with local codes, ordinances, or the National Electrical Code.
4. These fixtures are intended to be mounted directly to the building structure, installed over a J-Box or conduit outing.
5. All luminaires to be installed by a qualified electrician.

NOTE: The important safeguards and instructions appearing in this manual are not meant to cover all possible conditions and situations that may occur.

INSTALLATION

1. Remove Lens, Gasket, and Lens Frame to access screws to LED/Driver Tray, remove screws securing LED/Driver Tray and retain all screws for later use.
IMPORTANT: Notice Lens Frame orientation for ASYMMETRICAL Models.
2. Remove nuts securing Conduit surface Mounting (CSM) box and retain nuts for later use.
3. Secure CSM box to J-Box with screws (provided by others), additional holes on CSM box to be used to secure to surface of wall or ceiling with screws (provided by others, 1/4" nominal diameter).
IMPORTANT: Ensure CSM Box is level before tightening.
IMPORTANT: Ensure supply connection wires are accessible after mounting CSM box.
4. Secure fixture housing to CSM box with nuts from step 2.
IMPORTANT: Ensure supply connection wires are accessible after mounting Fixture Housing to CSM box.
5. Connect wires from source to LED/Driver Tray before securing to fixture housing with retain screws from step 1 from LED/Driver Tray.
IMPORTANT: Make sure all connections follow code requirements.
6. Re-attached Lens, Gasket, and Lens Frame to fixture with retain screws from step 1.

IMPORTANT: All FC|SSL products can be cleaned with non-abrasive and chemical free agents. Use a soft cloth with mild detergent on exterior only.

DETAILED ILLUSTRATIONS

