



Date: _____

Type: _____

Fixture: _____

Project: _____

Approved:

FCB740



FCB740 High output exterior die-cast aluminum, round 7" diameter, 40 inch high bollard, providing direct light to a wide circumference surrounding this fixture.

SPECIFICATIONS

PHYSICAL

dimensions	40"H x 7"D
weight	18 lbs
housing	Marine grade, corrosion resistant, heavy guage aluminum
lens	Impact resistant, UV stabilized, clear, polycarbonate diffuser
mounting	Heavy gauge base bracketing for bollard installation provides a unique mounting solution, so the tower body anchors flush to the ground without the appearance of a base plate, anchor bolts included (j-box by others)
ingress protection	IP66: dry, damp, or wet locations with extruded silicone gasket to seal out contaminants
finish	Available in Black, Bronze, Graphite Grey, Silver, White and Custom Colors. Six stage chemical iron phosphate conversion pre-treatment. Polyester powder coat finish, 18 µm Min., 5000hr salt spray test (ASTM B117) compliant with Florida / AAMA 2604 specification.

PERFORMANCE

color temperature	2700K	3000K	3500K	4000K
lumen output	2000 lm			
lifetime	L70 >70,000 hours			
color consistency	3 SDCM / 85 CRI			
operating temperature	-13°F to 104°F (-25°C to 40°C)			
warranty	5-Year limited warranty			

ELECTRICAL

input voltage	Universal 120 - 277 VAC optional: 347 VAC (integral) 480 VAC (integral)
power supply	Integral Class II, electronic, high power factor > 94% @ 120V
certification	ETL/cETL Listed
standards	UL1598 / CSA C22.2 No. 250.0; UI 8750 / CSA C22.2 No. 250.13 / IES LM-79 / LM-80
power consumption	23W @ 120 - 277 VAC
dimming	standard: 0-10V (10%) optional: ELV (120V only) / DMX (integral) / DALI (integral)

Due to continuous development and improvements, specifications are subject to change without notice. Product use certifies agreement to FC Lighting terms and conditions.



Ordering Information

ORDERING INFORMATION

FCB740											
SERIES	VOLTAGE		HEIGHT		CCT		LUMENS		FINISH		OPTIONS
FCB740	UNV	UNV 120 - 277 VAC	40	40"	27K	2700K	20L	2000 lm (23W)	BKE	Black	LD 0-10V Dimming (Standard)
	347V	347 VAC (Integral)			3K	3000K			BRE	Bronze	ELV ELV Dimming (120 only)
	480V	480 VAC (Integral)			35K	3500K			GRE	Graphite Grey	DMX DMX Dimming (Integral)
					4K	4000K			SLE	Silver	DALI DALI Dimming (Integral)
									WHE	White	BBU Battery Backup (Integral) (Not for ELV)
									CCE	Custom Color	HS 180° House Shield
											HS2 270° House Shield

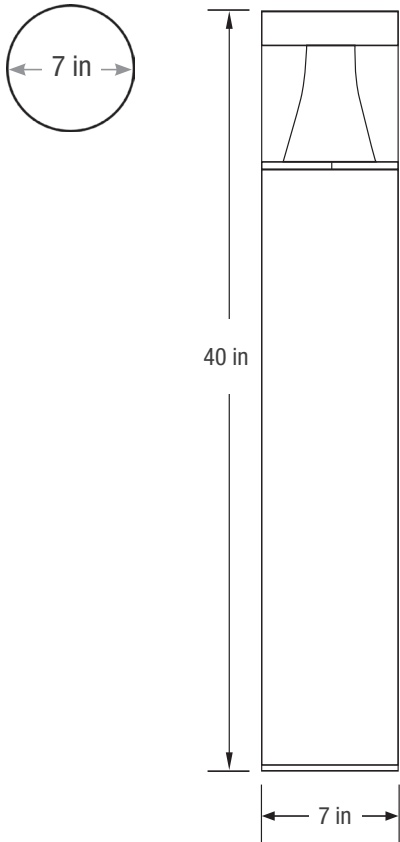
Due to continuous development and improvements, specifications are subject to change without notice. Product use certifies agreement to FC Lighting terms and conditions.



Physical

PRODUCT DIMENSIONS - STANDARD PRODUCT

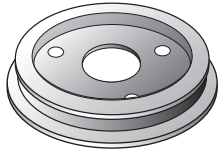
height	40" H
diameter	7" D



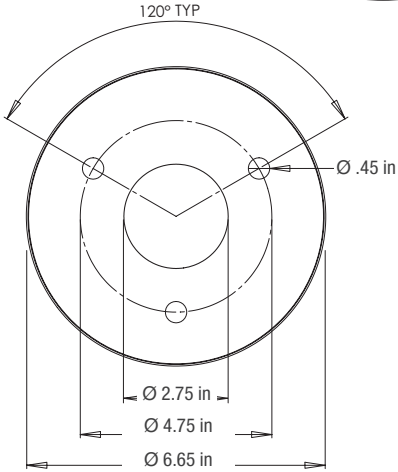
MOUNTING

mounting plate diameter	6.65" D
anchor bolt size	3/8"Ø x 12" L x 2" Tang
bolt pattern diameter	4.75" D

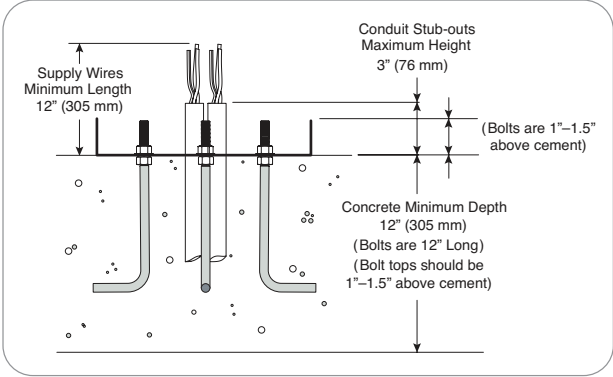
Anchor Bolt Part #	94523B-4
Quantity Required	3 for each bollard



mounting hole pattern



Concrete minimum depth 12"; 12" anchor bolts extend above cement, see installation instructions for detailed information.

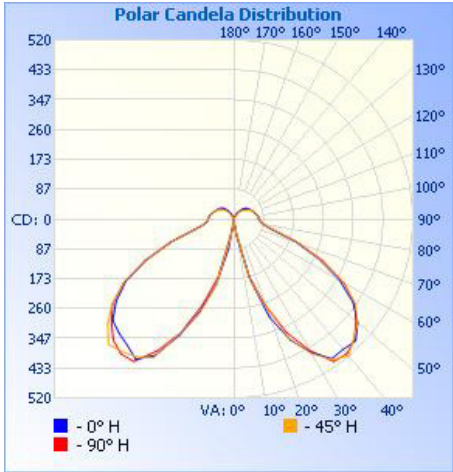


Due to continuous development and improvements, specifications are subject to change without notice. Product use certifies agreement to FC Lighting terms and conditions.



Photometry

OPTICAL DISTRIBUTION



Illuminance at a Distance

	Center Beam fc	Beam Width	
1.7ft	1.17 fc	6.6 ft	6.5 ft
3.3ft	0.31 fc	12.8 ft	12.6 ft
5.0ft	0.13 fc	19.4 ft	19.1 ft
6.7ft	0.08 fc	26.0 ft	25.6 ft
8.3ft	0.05 fc	32.2 ft	31.7 ft
10.0ft	0.03 fc	38.8 ft	38.2 ft

■ Vert. Spread: 125.4°
■ Horiz. Spread: 124.8°

Lumen Output	2000 Lm @ 4000K
Power Consumption	23 W

itl illuminations testing laboratory - Report 1349

OPTIONS FIND IES FILES ON FCLIGHTING.COM

- HS - 180° House Shield
- HS2 - 270° House Shield

NOTE: House Shields are internal to the fixture.

Due to continuous development and improvements, specifications are subject to change without notice. Product use certifies agreement to FC Lighting terms and conditions.