

# FCBT690



<b>Date:</b>	<b>Approved:</b>
<b>Type:</b>	
<b>Fixture:</b>	
<b>Project:</b>	

**FCBT690** Exterior die-cast aluminum bollard with right angle head position tower. Available in 42" and 36" height. Designed and built to illuminate the ground and/or pathways safely without glare. **FCBT690** has an extremely wide-throw beam pattern covering 30'–35' wide and still measuring greater than 1 foot candle. It also has a forward throw of approximately 14 feet. Matches up with FCBT690S, 24" high version.

## SPECIFICATIONS

### PHYSICAL

<b>dimensions</b>	42"H or 36"H x 8"W x 9"D at top (3"D at base)
<b>weight</b>	12 lbs
<b>housing</b>	Marine grade, corrosion resistant, heavy guage aluminum
<b>lens</b>	Impact resistant, UV stabilized, clear, polycarbonate diffuser
<b>mounting</b>	Heavy wall base bracketing for bollard installation provides a unique mounting solution, so the tower body anchors flush to the ground without the appearance of a base plate, anchor bolts included
<b>ingress protection</b>	IP66: dry, damp, or wet locations
<b>finish</b>	Available in Black, Bronze, Graphite Grey, Silver, White and Custom Colors. Six stage chemical iron phosphate conversion pre-treatment. Polyester powder coat finish, 18 µm Min., 5,000 hour salt spray test (ASTM B117) compliant with Florida / AAMA 2604 specification.

### PERFORMANCE

<b>color temperature</b>	2700K, 3000K, 3500K, 4000K
<b>lumen output</b>	479 lm, 958 lm, 1436 lm, 1915 lm
<b>lumen maintenance</b>	L70 >70,000 hours
<b>color consistency</b>	3 SDCM / 85 CRI
<b>operating temperature</b>	-49°F to 104°F (-45°C to 40°C)
<b>warranty</b>	5-Year limited warranty

### ELECTRICAL

<b>input voltage</b>	Universal 120 - 277 VAC, optional: 347 VAC, 480 VAC
<b>power supply</b>	Integral Class II, electronic, high power factor > 94% @ 120V
<b>certification</b>	ETL/cETL Listed
<b>standards</b>	UL1598 / CSA C22.2 No. 250.0; UI 8750 / CSA C22.2 No. 250.13 / IES LM-79 / LM-80
<b>power consumption</b>	7W (479 lm) minimum, 26W (1915 lm) maximum
<b>dimming</b>	standard: 0-10V (10%)   optional: ELV (120 VAC only) / DMX / DALI

Due to continuous development and improvements, specifications are subject to change without notice.  
Product use certifies agreement to FC Lighting terms and conditions.



# Ordering Information

## ORDERING INFORMATION

ORDERING INFORMATION												
SERIES	VOLTAGE		HEIGHT		CCT		LUMENS		FINISH		OPTIONS	
<b>FCBT690</b>	<b>UNV</b>	UNV 120 - 277 VAC	<b>42</b>	42"	<b>27K</b>	2700K	<b>5L</b>	479 lm (7W)	<b>BKE</b>	Black	<b>CD</b>	Cane Detector
	<b>347V</b>	347 VAC	<b>36</b>	36"	<b>3K</b>	3000K	<b>10L</b>	958 lm (13W)	<b>BRE</b>	Bronze	<b>LD</b>	0-10V Dimming
	<b>480V</b>	480 VAC			<b>35K</b>	3500K	<b>14L</b>	1436 lm (20W)	<b>GRE</b>	Graphite Grey	<b>ELV</b>	ELV Dimming (120 Only)
					<b>4K</b>	4000K	<b>19L</b>	1915 lm (26W)	<b>SLE</b>	Silver	<b>DMX</b>	DMX Dimming (Integral)
								<b>WHE</b>	White	<b>DALI</b>	DALI Dimming (Integral)	
								<b>CCE</b>	Custom Color	<b>SP20</b>	20kV Surge Protector	
										<b>BBU</b>	Battery Backup, Integral (Not w/ ELV)	
										<b>SP20-BBU</b>	(2) 20kV Surge Protectors (1/LED Driver, 1/BBU) and Battery Backup (Integral)	
										<b>HS</b>	180° House Shield	
										<b>HS2</b>	270° House Shield	
										<b>LAB<sup>1</sup></b>	Less Anchor Bolt Kit - for shipment separate of Anchor Bolt Kit	

## ANCHOR BOLT KITS

### A00690

Anchor Bolt Kit - Complete Anchor Bolt Kit shipped in advance of fixture.

<sup>1</sup> **Note:** Fixture must be mounted into FC Lighting supplied Anchor Bolt Kit shipped with or separate of fixture.

### Consult Factory for other options and configurations.

To ensure you receive proper configurations for your lighting specifications, contact us directly about any unique application requirements. This may include but not be limited to lumen output, mounting needs, or electrical requirements.

Due to continuous development and improvements, specifications are subject to change without notice. Product use certifies agreement to FC Lighting terms and conditions.



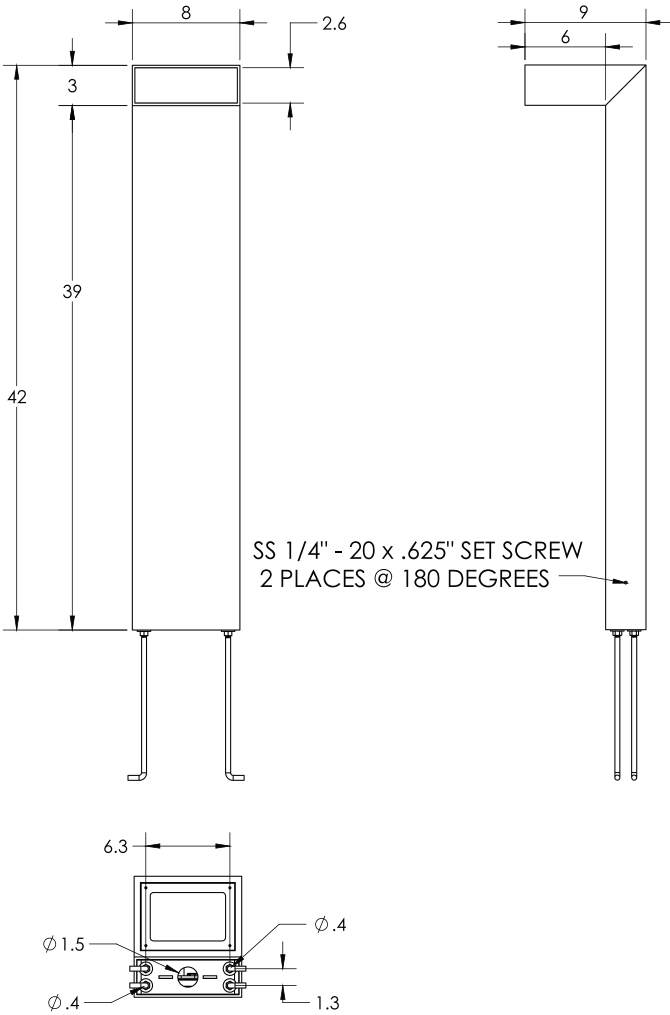
US Commercial Lighting Manufacturer Since 1982

Specification Sheet



## Physical

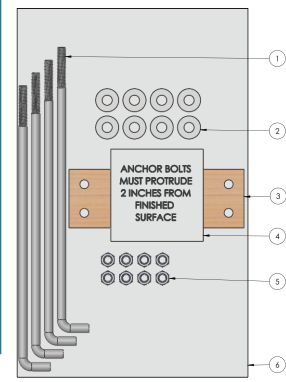
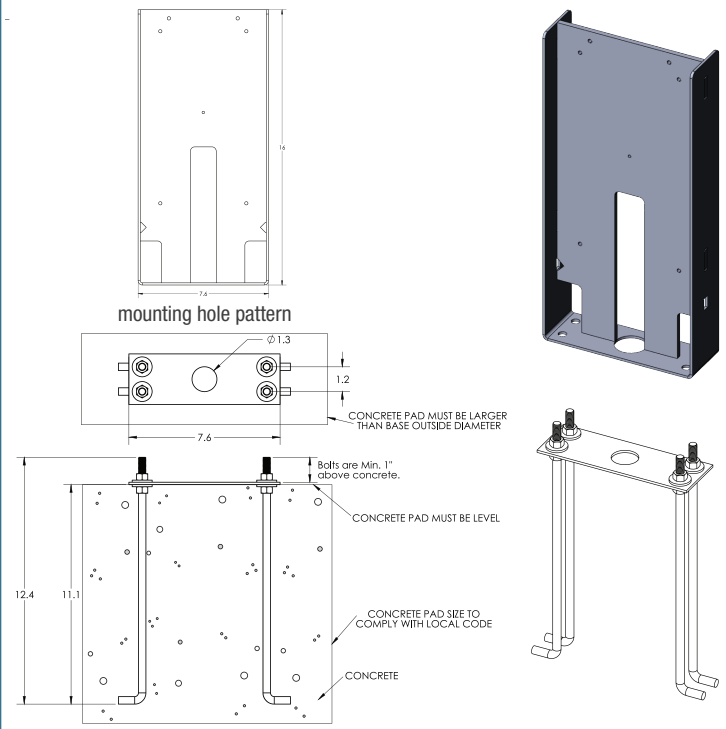
### PRODUCT DIMENSIONS - STANDARD PRODUCT



### MOUNTING

<b>Mounting Plate Size</b>	7.6" x 3"
<b>Anchor Bolt Template Assembly</b>	A00690

(Includes the below items listed)



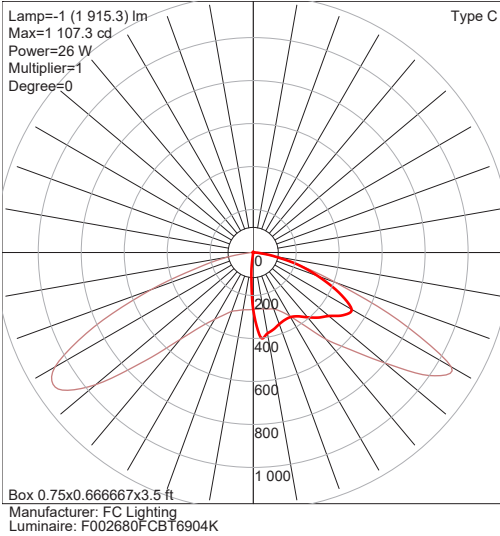
#	ANCHOR BOLT TEMPLATE ASSEMBLY (A00690) (Includes below items)	QTY.
1	3/8" x 12" x 1" L hook Anchor Bolt (94523B-4)	4
2	3/8" FLAT WASHER H-D GALV STEEL	8
3	ANCHOR BOLT WOOD TEMPLATE	1
4	ANCHOR BOLT LABEL	1
5	3/8"-16 HEX NUT H-D GALV STEEL	8
6	PLASTIC B.A.G. SEALED	1

Due to continuous development and improvements, specifications are subject to change without notice. Product use certifies agreement to FC Lighting terms and conditions.



# Photometry & Accessories

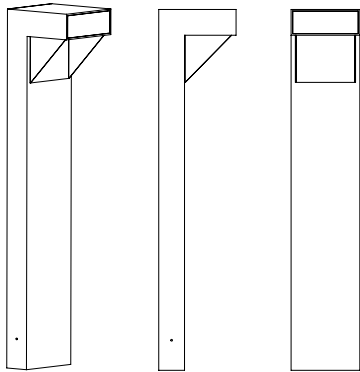
## OPTICAL DISTRIBUTION



## ACCESSORIES

FIND IES FILES ON FCLIGHTING.COM

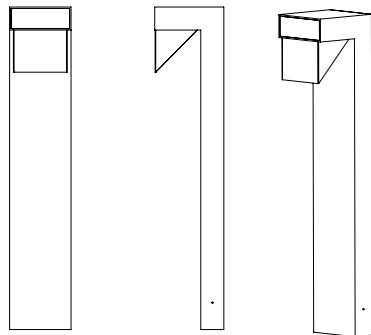
### HS - House Shield that blocks light out the sides



Use the 180° House Side Shield (HS) to protect beach side areas where fixtures are installed.

**HS Height:** 5.5" H

### HS2 - House Shield that blocks light out the front

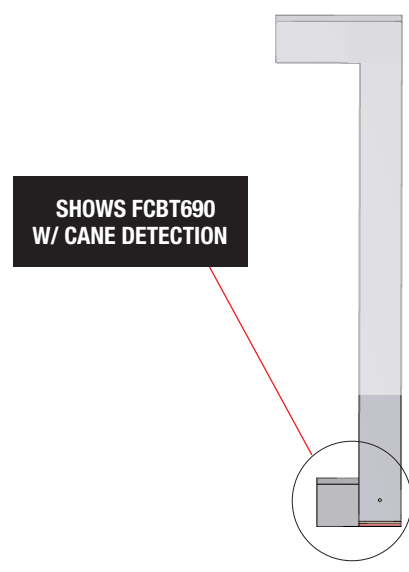


Use the (HS2) front House Shield to protect beach side areas where fixtures are installed.

**HS Height:** 5.5" H

### CD - Cane Detector

<b>foot depth</b>	add 3" D at column base
<b>foot width</b>	8" W



**SHOWS FCBT690 W/ CANE DETECTION**

Due to continuous development and improvements, specifications are subject to change without notice. Product use certifies agreement to FC Lighting terms and conditions.