



# FCBT690S



**Date:** \_\_\_\_\_

**Type:** \_\_\_\_\_

**Fixture:** \_\_\_\_\_

**Project:** \_\_\_\_\_

**Approved:**

FCBT690S Exterior die-cast aluminum bollard with right angle head position tower. 24" high, making this bollard a lower profile version in the FCBT690 family. Designed and built to illuminate the ground and/or pathways safely without glare. FCBT690S has an wide-throw beam pattern covering 22'–26' wide and still measuring greater than 1 foot candle. It also has a forward throw of approximately 12 feet.

## SPECIFICATIONS

### PHYSICAL

<b>dimensions</b>	24"H x 5"W x 6.5"D at top (2"D at base)
<b>weight</b>	8 lbs
<b>housing</b>	Marine grade, corrosion resistant, heavy guage aluminum
<b>lens</b>	Impact resistant, UV stabilized, clear, polycarbonate diffuser
<b>mounting</b>	Heavy wall base bracketing for bollard installation provides a unique mounting solution, so the tower body anchors flush to the ground without the appearance of a base plate, anchor bolts included
<b>ingress protection</b>	IP66: dry, damp, or wet locations
<b>finish</b>	Available in Black, Bronze, Graphite Grey, Silver, White and Custom Colors. Six stage chemical iron phosphate conversion pre-treatment. Polyester powder coat finish, 18 µm Min., 5,000 hour salt spray test (ASTM B117) compliant with Florida / AAMA 2604 specification.

### PERFORMANCE

<b>color temperature</b>	2700K, 3000K, 3500K, 4000K
<b>lumen output</b>	765 lm
<b>lumen maintenance</b>	L70 >70,000 hours
<b>color consistency</b>	3 SDCM / 85CRI
<b>operating temperature</b>	-13°F to 104°F (-25°C to 40°C)
<b>warranty</b>	5-Year limited warranty

### ELECTRICAL

<b>input voltage</b>	Universal 120 - 277 VAC, optional: 347 VAC
<b>power supply</b>	Integral Class II, electronic, high power factor > 94% @ 120V
<b>certification</b>	ETL/cETL Listed
<b>standards</b>	UL1598 / CSA C22.2 No. 250.0; UI 8750 / CSA C22.2 No. 250.13 / IES LM-79 / LM-80
<b>power consumption</b>	14W @ 120 - 277 VAC
<b>dimming</b>	standard: 0-10V (10%) optional: ELV (120 VAC only) / DMX / DALI

Due to continuous development and improvements, specifications are subject to change without notice. Product use certifies agreement to FC Lighting terms and conditions.



## Ordering Information

### ORDERING INFORMATION

FCBT690S		24		8L		
SERIES	VOLTAGE	HEIGHT	CCT	LUMENS	FINISH	OPTIONS
FCBT690S	UNV UNV 120 - 277 VAC	24 24"	27K 2700K	8L 765 lm (14W)	BKE Black	LD 0-10V Dimming (Standard)
	347V 347 VAC		3K 3000K		BRE Bronze	ELV ELV Dimming (120 only)
			35K 3500K		GRE Graphite Grey	DMX DMX Dimming (Integral)
			4K 4000K		SLE Silver	DALI DALI Dimming (Integral)
				WHE White	SP20 20kV Surge Protector	
				CCE Custom Color	BBU Battery Backup (Integral)	SP20-BBU (2) 20kV Surge Protectors (1/LED Driver, 1/BBU) and Battery Backup (Integral)
						HS 180° House Shield
						HS2 270° House Shield
						LAB <sup>1</sup> Less Anchor Bolt Kit - for shipment separate of Anchor Bolt Kit

### ANCHOR BOLT KITS

#### A00690S

Anchor Bolt Kit - Complete Anchor Bolt Kit shipped in advance of fixture.

<sup>1</sup> Note: Fixture must be mounted into FC Lighting supplied Anchor Bolt Kit shipped with or separate of fixture.

### Consult Factory for other options and configurations.

To ensure you receive proper configurations for your lighting specifications, contact us directly about any unique application requirements. This may include but not be limited to lumen output, mounting needs, or electrical requirements.

Due to continuous development and improvements, specifications are subject to change without notice. Product use certifies agreement to FC Lighting terms and conditions.



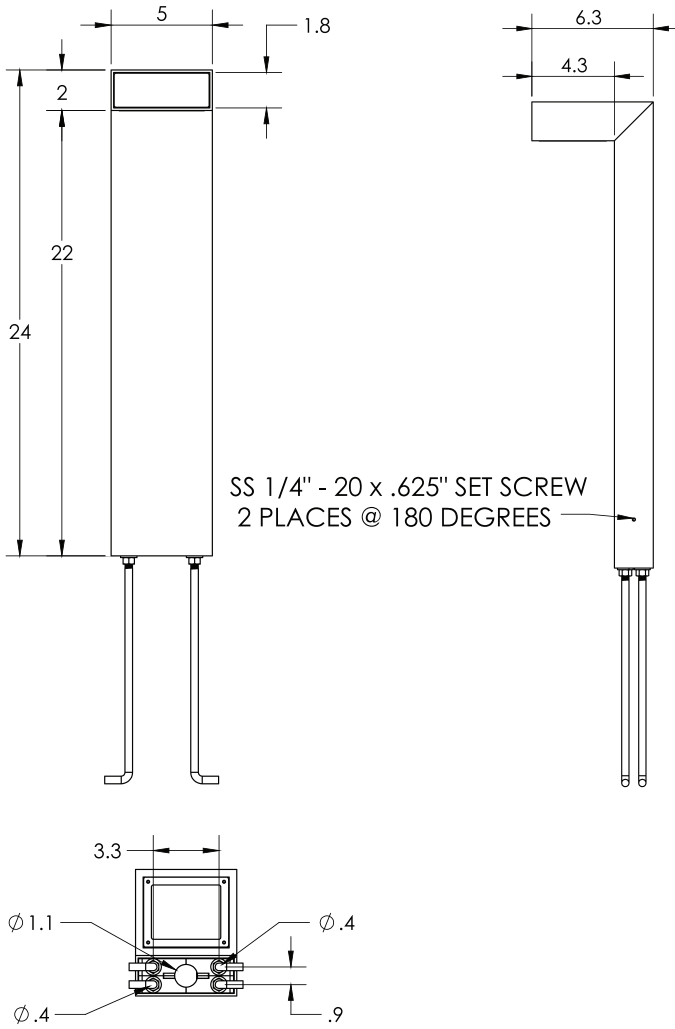
US Commercial Lighting Manufacturer Since 1982

Specification Sheet



## Physical

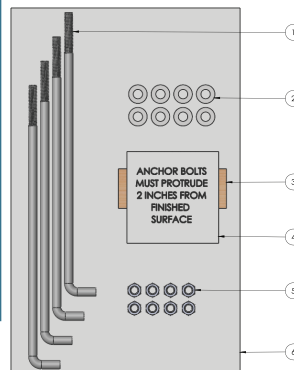
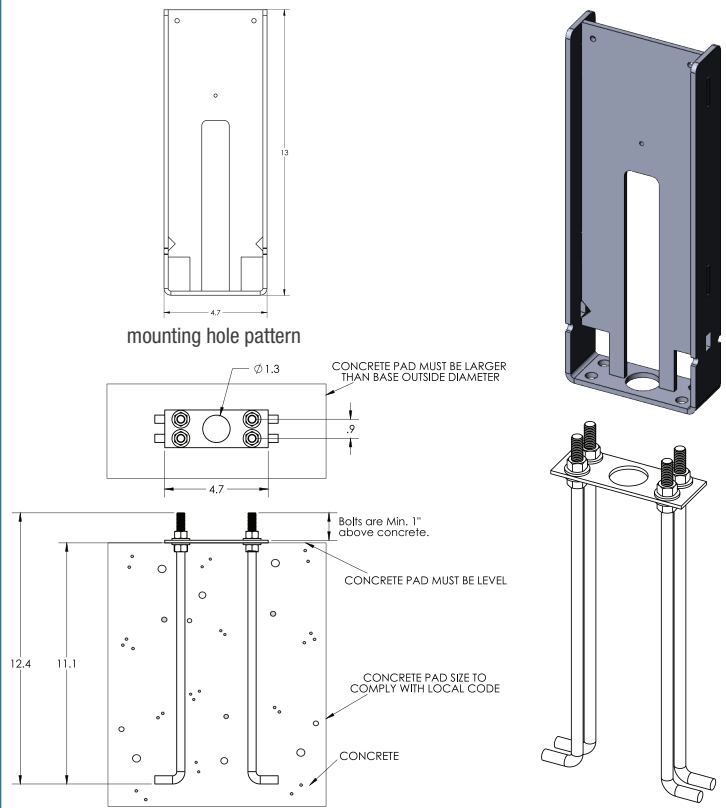
### PRODUCT DIMENSIONS - STANDARD PRODUCT



### MOUNTING

Mounting Plate Size	4.7" x 3"
Anchor Bolt Template Assembly	A00690S

(Includes the below items listed)



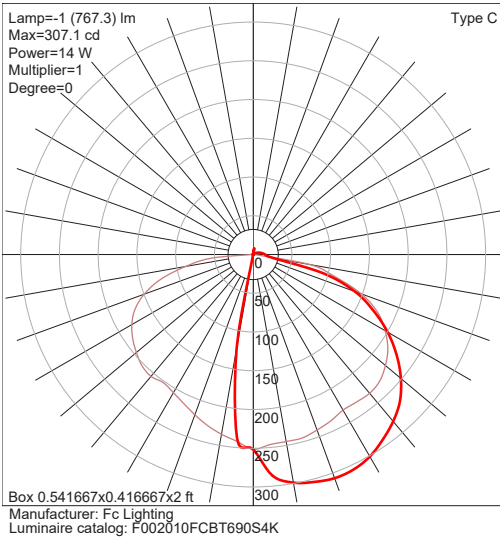
#	ANCHOR BOLT TEMPLATE ASSEMBLY (A00690S) (Includes below items)	QTY.
1	3/8" x 12" x 1" L hook Anchor Bolt (94523B-4)	4
2	3/8" x .812" OD FLAT WASHER H-D GALV STEEL	8
3	ANCHOR BOLT WOOD TEMPLATE	1
4	ANCHOR BOLT LABEL	1
5	3/8"-16 HEX NUT H-D GALV STEEL	8
6	PLASTIC BAG, SEALED	1

Due to continuous development and improvements, specifications are subject to change without notice. Product use certifies agreement to FC Lighting terms and conditions.



# Photometry & Accessories

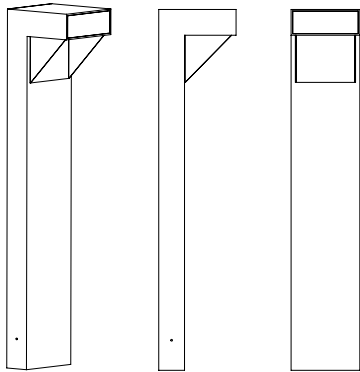
## OPTICAL DISTRIBUTION



## ACCESSORIES

FIND IES FILES ON FCLIGHTING.COM

### HS - House Shield that blocks light out the sides

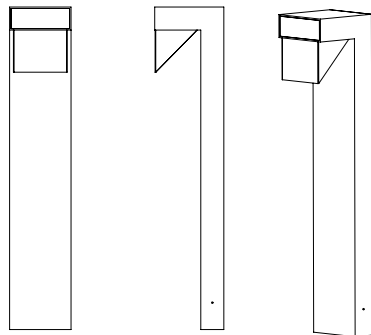


Use the 180° House Side Shield (HS) to protect beach side areas where fixtures are installed.

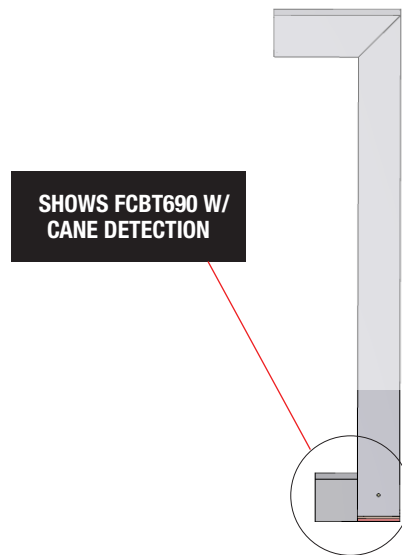
### CD - Cane Detector

foot depth	add 3" D at column base
foot width	5" W

### HS2 - House Shield that blocks light out the front



Use the (HS2) front House Shield to protect beach side areas where fixtures are installed.



Due to continuous development and improvements, specifications are subject to change without notice. Product use certifies agreement to FC Lighting terms and conditions.