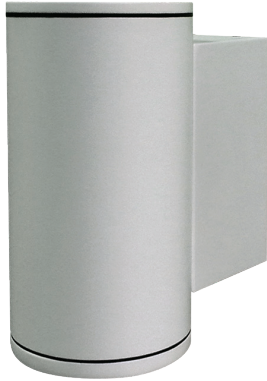


# FCC400 Four-Inch Round Cylinder – Wall, Pendant, or Surface Mount Down Lighting

## Standard Drivers without Battery Backup



### FEATURES

- Up to 3500 lumens (4000K)
- Multiple mounting options
- Clear lens with anti-glare tempered glass (IK08)
- The Soft Field Lens option provides diffusion, reduces glare, and enhances visual comfort.
- Multiple housing colors
- 0-10V 1% Dimming (Standard)
- 93 CRI with 2 SDCM

### PERFORMANCE

**Beam Spread:** 15°, 25°, 50°, 72°, 90°  
**CCT Options:** 2700K, 3000K, 3500K, 4000K  
**CRI:** 93 CRI  
**Consistency:** 2 SDCM (Luminaire to Luminaire)  
**Lumens:** 500 - 3500 lumens (nominal)  
**Lumen Maintenance:** L70 > 70,000 hours

### PHYSICAL

**Mounting:** Mounts directly to standard recessed junction box with wall mount or twist-lock canopy. Additional holes allow unit to be attached directly to mounting surface. Not intended for open ceilings or surface mount conduit j-box applications. Recessed j-box must be flush with finished wall or ceiling surface.

**Housing:** Heavy-walled, extruded aluminum housing with high pressure die-cast lens ring and cap with stainless steel hardware.

**Finish:** Available in Black, Bronze, Graphite Grey, Silver, White and Custom Colors. Six stage chemical iron phosphate conversion pre-treatment. Polyester powder coat finish, 18 µm Min., 5,000 hour salt spray test (ASTM B117) compliant with Florida / AAMA 2604 specification.

**Warranty:** 5-Year limited warranty

**Lens:** IK08 impact compliant, clear anti-glare tempered glass

**Ingress Protection:** Continuous silicone gasket to seal out contaminants, IP65 rated for dry, damp or wet locations. SF option rated IP65 for cover ceiling application only.

**Weight:** 8-12 lbs (Depending on Length)

**Operating Temperature:** -22°F to 122°F (-30°C to 50°C)

### ELECTRICAL

**Voltage:** Universal 120 - 277 VAC, 347 VAC optional

**Power Supply:** Integral Class II, electronic high-power factor >.90, THD < 20%, FCC Title 47 Part 15 Class A.

**Power Consumption:** Maximum 46W

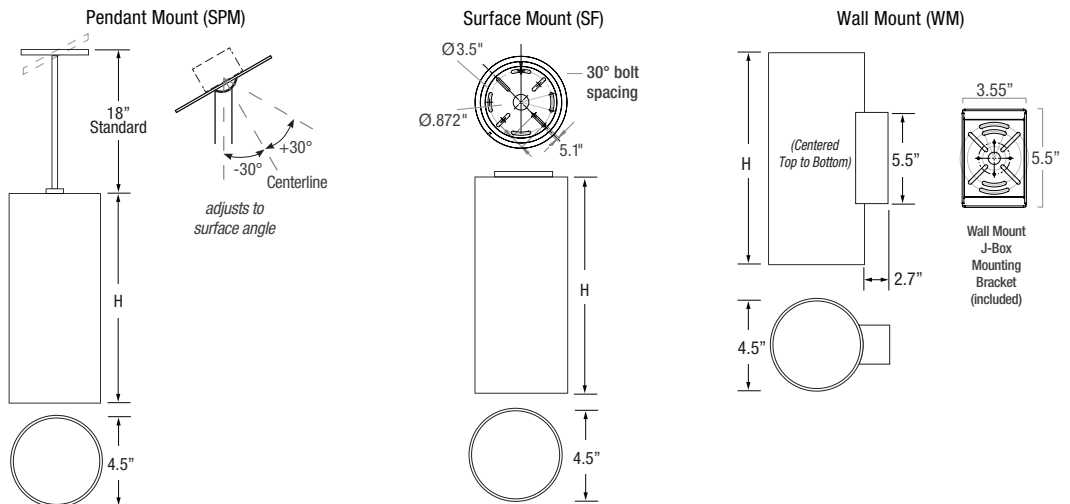
**Dimming: Standard:** 0-10V, 1%, **Optional:** ELV, TRIAC, dim to off

**Standards:**

- cETLus Listed, CE, NOM, and RoHS Compliant.
- Wet location listed for wall or ceiling mount IP65 Ingress protection.
- 1.5G (ANSI C136.31) Vibration resistance rated.
- IK08 (IEC6226) Impact resistance rated.
- IESNA LM79 Photometric testing by NVLAP accredited test lab.
- IESNA LM80 LED testing by NVLAP accredited test lab.
- IESNA TM21 Luminaire lumen depreciation projection to > 70,000 hours.

### PHYSICAL DIMENSIONS

Luminaire	Height
FCC400-10	10.95" Height
FCC400-12	12.95" Height
FCC400-14	14.95" Height
FCC400-16	16.95" Height
FCC400-18	18.95" Height
FCC400-20	20.95" Height



Date: \_\_\_\_\_  
 Type: \_\_\_\_\_  
 Fixture: \_\_\_\_\_  
 Project: \_\_\_\_\_

Approved: \_\_\_\_\_

# FCC400 Four-Inch Round Cylinder Down Lighting

## PRODUCT CODE

EXAMPLE: FCC400-10-SPM-18-UNV-927-05L-BKE-25-ET-CV

MODEL	HEIGHT	MOUNTING	SUSP. LENGTH	VOLTAGE	COLOR	LUMENS	FINISH	OPTIC	DIMMING	OPTIONS
FCC400										

**MODEL**  
**FCC400**

**HEIGHT**

10	10.95" Height
12	12.95" Height
14	14.95" Height
16	16.95" Height
18	18.95" Height
20	20.95" Height

**MOUNTING**

<b>SPM</b>	Slope Pendant
<b>SF</b>	Surface
<b>WM</b>	Wall

**SPM LENGTH**

Specify the optional suspension length in inches. (Top of luminaire to ceiling) (SPM 18" Standard, 4"-120" Max; 61"-120" w/LD & ET Only and stem comes in 2 sections) \*Consult factory & price guide for other lengths.

**VOLTAGE**

<b>UNV</b>	Universal 120 - 277 AC
<b>347V</b>	347 VAC (20L - 35L options only; for 15 degree, 20L - 25L options only)

**COLOR**

<b>927</b>	(93CRI) 2700K
<b>930</b>	(93CRI) 3000K
<b>935</b>	(93CRI) 3500K
<b>940</b>	(93CRI) 4000K

Other CCT/CRI available upon request.

**LUMENS nominal**

<b>05L</b>	500 lm
<b>10L</b>	1000 lm
<b>15L</b>	1500 lm
<b>20L</b>	2000 lm
<b>25L</b>	2500 lm
<b>30L</b>	3000 lm (Minimum 14")
<b>35L</b>	3500 lm (Minimum 14")

**FINISH**

<b>BKE</b>	Black
<b>BRE</b>	Bronze
<b>GRE</b>	Graphite Grey
<b>SLE</b>	Silver
<b>WHE</b>	White
<b>CCE</b>	Custom Color

**OPTIC nominal**

<b>15</b>	Spot (15°) (Max 30L)
<b>25</b>	Narrow Flood (25°)
<b>50</b>	Flood (50°)
<b>72</b>	Wide Flood (72°)
<b>90</b>	Flat (90°)

**w/SOFT FIELD**

<b>15S</b>	Spot (15°) (Max 30L)
<b>25S</b>	Narrow Flood (25°)
<b>50S</b>	Flood (50°)
<b>72S</b>	Wide Flood (72°)
<b>90S</b>	Flat (90°)

*Soft Field average light loss factor is 0.97*

**DIMMING**

<b>ET</b>	ELV or TRIAC Driver (120V Phase Dimming w/ UNV Driver) (05L - 35L options only)*
<b>LD</b>	0-10V Dimming, 1% (Standard)

*\*15 and 15S Beam Angle maximum 30L on ET Option*

**OPTIONS**

<b>CV</b>	Cut-Off Visor
-----------	---------------

# FCC400 Four-Inch Round Cylinder Down Lighting

## LUMENS / WATTAGE nominal

Model	Watts	Lumens
FCC400	6.4 W	500 lm
15°	12 W	1000 lm
	19 W	1500 lm
	26 W	2000 lm
	34 W	2500 lm
	46 W	3000 lm

Model	Watts	Lumens
FCC400	6.4 W	500 lm
25°, 50°, 72°, 90°	12 W	1000 lm
	17 W	1500 lm
	23 W	2000 lm
	30 W	2500 lm
	36 W	3000 lm
	42 W	3500 lm

Lifetime Calculations				
Model	L70	L70	L90	L90
	Calculated	Reported	Calculated	Reported
FCC400	133600	>60500	41200	41200

\*Specific Lumen Output Lifetime available upon request.  
\*All lifetimes based on B50.

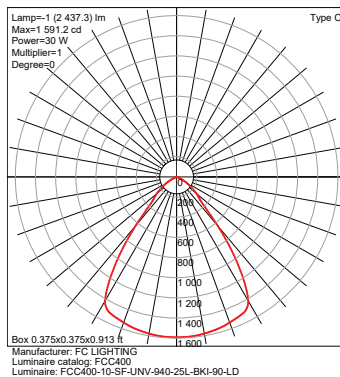
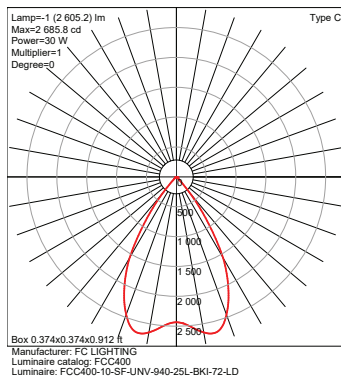
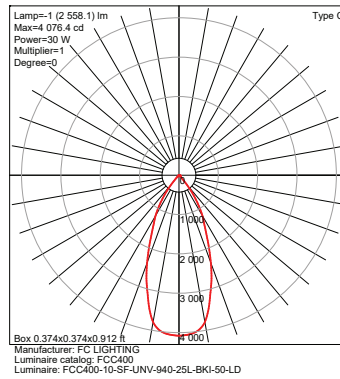
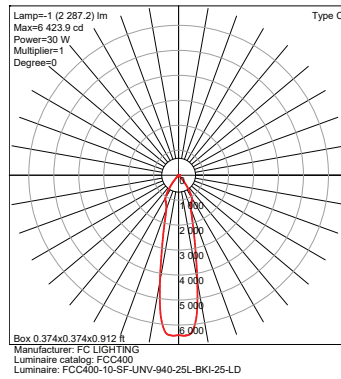
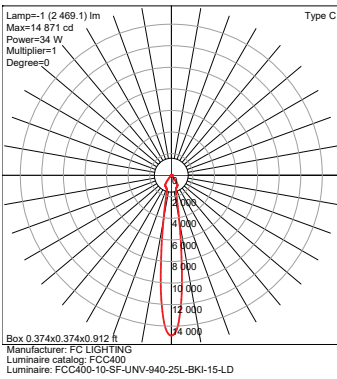
IES Multiplier	
Color	Multiplier
927	0.92
930	0.95
935	0.98
940	1.00

\*83CR1s1.15 Consult factory.

TRIAC & ELV Approved Dimmer List	
Manufacturer	Manufacturer Part Number
Lutron	Glyder GLV-600
	Diva DVLV-600P
	Diva DV-600P
	Diva DVELV-600P(303)
	Maestro MALV-600
	Nova T NT-1000
	Nova T NTELV-600
Leviton	SureSlide 6633
	illumatech IPE04

0-10V Approved Dimmer List	
Manufacturer	Manufacturer Part Number
Lutron	Diva DVSTV-XX
	Diva DVSTV-453PH-WH1
Leviton	illumatech 010-IP710-DLZ


## PHOTOMETRICS



Due to continuous development and improvements, specifications are subject to change without notice.

Product use certifies agreement to FC Lighting, Inc. terms and conditions.

© FC Lighting, Inc. 3609 Swenson Ave • St. Charles, IL • 60174 | fclighting.com | 800.900.1730

 US Commercial Lighting Manufacturer Since 1982

AG-DM-040924

# FCC400 4" Round Down Lighting

## OPTIONS

Cut-Off Visor (CV)

