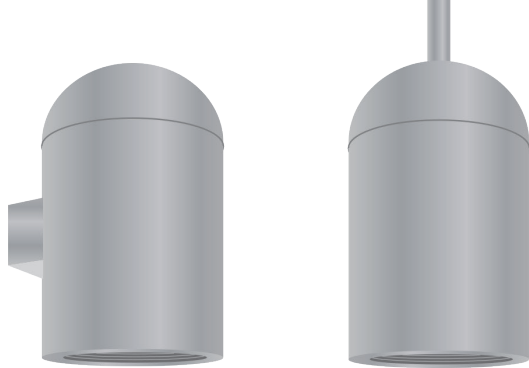


Date: _____
 Type: _____
 Fixture: _____
 Project: _____

Approved: _____

FCC4300R with Remote Driver and Battery Backup

9" Round wall or pendant mount down cylinder outdoor

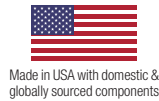


FEATURES

- Up to 3000 lm @ 36 Watts, Up to 100 LPW
- Remote Driver with Battery Backup options
- Clear anti-glare tempered glass lens (IK09)
- Multiple color finishes
- 0-10V 1% Dimming
- 1.5G Vibration Tested
- 93 CRI with 2 SDCM

PERFORMANCE

Beam Spread: 15° | 40° | 50° | 72°
CCT Options: 2700K | 3000K | 3500K | 4000K
CRI: 93 CRI
Consistency: 2 SDCM (Fixture to Fixture)
Lumens: 1000-3000 lm
Lifetime: > 70,000 hours / L70 or better



PHYSICAL

Mounting: Mounts directly to standard recessed junction box with wall mount or twist-lock canopy. Additional holes allow unit to be attached directly to mounting surface.

Ingress Protection: Continuous silicone gasket to seal out contaminants, IP65 rated for dry, damp or wet locations.

Finish: Six stage chemical iron phosphate conversion pre-treatment. Polyester powder coat finish, 18 µm Min., 5000hr salt spray test (ASTM B117) compliant with Florida / AAMA 2604 specification.

Warranty: 5-Year limited warranty (refer to website for details)

Housing: Heavy-walled, marine grade, corrosion resistant die-cast aluminum housing with wall mount or twist-lock canopy. Silicone 'O' ring gasket to seal out contaminants. Captive and recessed stainless steel, tamper resistant hex socket screws.

Lens: IK09 impact compliant, 1/8" thick clear, tempered glass

Vibration Resistance: Compliant with 1.5G ANSI C136.31, Seismic rated AC-156

Weight: 8-13 lbs (Depending on Length)

ELECTRICAL

Voltage: Universal 120-277V AC standard, 347V optional

Power Supply: Integral Class II, electronic high-power factor >.90, THD < 20%, FCC Title 47 Part 15 Class A

Power Consumption: Up to 3000 lm @ 36W

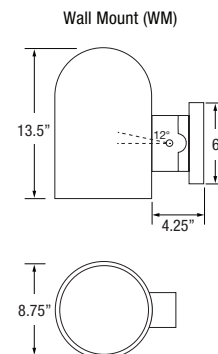
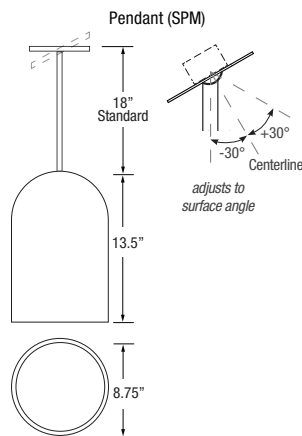
Dimming: 0-10V 1% Dimming

Certification: CEC Title 24 - JA8 Compliant (93 CRI Only)

Standards: cETLus Listed, CE, NOM, and RoHS Compliant. Wet location listed for wall or ceiling mount IP65 Ingress protection. 1.5G (ANSI C136.31) Vibration resistance rated. IK09 (IEC6226) Impact resistance rated. IESNA LM79 Photometric testing by NVLAP accredited test lab. IESNA LM80 LED testing by NVLAP accredited test lab. IESNA TM21 Luminaire lumen depreciation projection to >70,000hrs.

PHYSICAL DIMENSIONS

Fixture	Length (H)
FCC4300R	13.5" Height
FCC4300RP	



**All stated specifications have a tolerance of +/- 7%.

Due to continuous development and improvements, specifications are subject to change without notice. FC Lighting, Inc. reserves the right to change lab test details or specifications without notice. Product use certifies agreement to FC Lighting, Inc. terms and conditions.

FCC4300R with Remote Driver and Battery Backup

PRODUCT CODE

EXAMPLE: FCC4300R-P-18-UNV-927-10L-BKE-15-LD

MODEL	MOUNTING	SUSP LENGTH	VOLTAGE	COLOR	LUMENS	FINISH	OPTIC	DIMMING	OPTIONS	BATTERY
FCC4300R										
MODEL FCC4300R LED DRIVER REMOTE (INDOOR) IP20, IK08, NEMA 1, -20°C to +50°C, 30' MAX Distance with 12AWG. *Consult factory for outdoor remote driver only.	MOUNTING P Slope Pendant (Blank) Wall	SPM LENGTH Specify the optional suspension length in inches. (Top of fixture to ceiling) (SPM 18" Standard, 4"-120" Max; 61"-120" w/LD & ET Only and stem comes in 2 sections) *Consult factory & price guide for other lengths.	VOLTAGE UNV Universal 120-277 Volt AC 347V 347 Volt AC	COLOR 927 (93CRI) 2700K 930 (93CRI) 3000K 935 (93CRI) 3500K 940 (93CRI) 4000K	LUMENS nominal 10L 1000 lm @ 12 W 20L 2000 lm @ 24W 30L 3000 lm @ 36W	FINISH BKE Black (AAMA 2604) BRE Bronze (AAMA 2604) GRE Graphite Grey (AAMA 2604) SLE Silver (AAMA 2604) WHE White (AAMA 2604) CCE Custom Color (AAMA 2604)	OPTIC nominal 15 Spot (15°) 40 Narrow Flood (40°) 50 Flood (50°) 72 Wide Flood (72°)	DIMMING LD 0-10V Dimming, 1% (Remote)	OPTIONS N/A (Leave Blank)	BATTERY BBUR BATTERY BACK-UP & LED DRIVER REMOTE (INDOOR), IP20, IK08, NEMA 1, 0°C to +48°C, 30' MAX Distance with 12AWG (w/UNV Option Only) 500 Lumens Nominal in EM Mode BBUX BATTERY BACK-UP & LED DRIVER REMOTE (OUTDOOR), IP67, IK10, NEMA 4X, -20°C to +55°C, 30' MAX Distance with 12AWG (w/UNV Option Only) 600 Lumens Nominal in EM Mode N/A (Leave Blank for Remote Driver Only without Battery Backup)

**All stated specifications have a tolerance of +/- 7%.

Due to continuous development and improvements, specifications are subject to change without notice. FC Lighting, Inc. reserves the right to change lab test details or specifications without notice. Product use certifies agreement to FC Lighting, Inc. terms and conditions.

FCC4300R with Remote Driver and Battery Backup

LUMENS

Model	Watts	940
FCC4300R	12 W	1000 lm
	24 W	2000 lm
	36 W	3000 lm

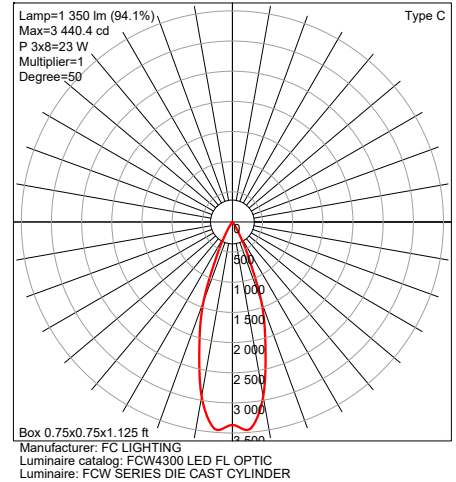
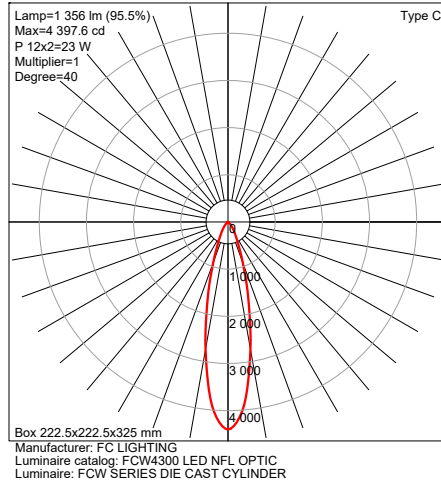
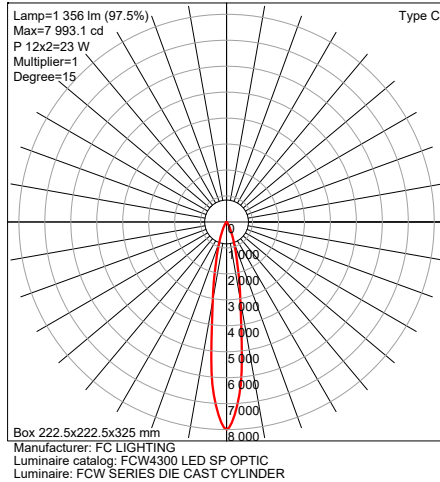
IES Multiplier	
Color	Multiplier
927	0.93
930	0.97
935	0.99
940	1.00

*83CRI@1.15 Consult factory.

TRIAC & ELV Approved Dimmer List	
Manufacturer	Manufacturer Part Number
Lutron	Glyder GLV-600
	Diva DVLV-600P
	Diva DV-600P
	Diva DVELV-600P(303)
	Maestro MALV-600
	Nova T NT-1000
	Nova T NTELV-600
Leviton	Skylark SLV-600P
	RadioRA2-10ND
	SureSlide 6633
	Illumatech IPE04

0-10V Approved Dimmer List	
Manufacturer	Manufacturer Part Number
Lutron	Diva DVSTV-XX
	Diva DVSTV-453PH-WH1
Leviton	Illumatech 010-IP710-DLZ

PHOTOMETRICS



**All stated specifications have a tolerance of +/- 7%.

Due to continuous development and improvements, specifications are subject to change without notice. FC Lighting, Inc. reserves the right to change lab test details or specifications without notice. Product use certifies agreement to FC Lighting, Inc. terms and conditions.

© FC Lighting, Inc. 3609 Swenson Ave • St. Charles, IL • 60174 | fclighting.com | 800.900.1730

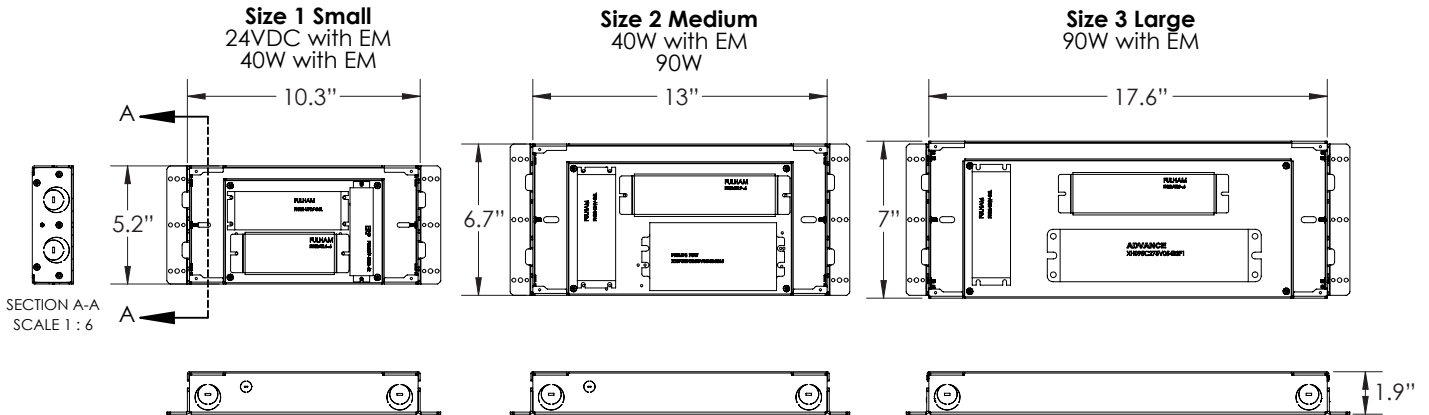
US Commercial Lighting Manufacturer Since 1982

AG-DM-071323

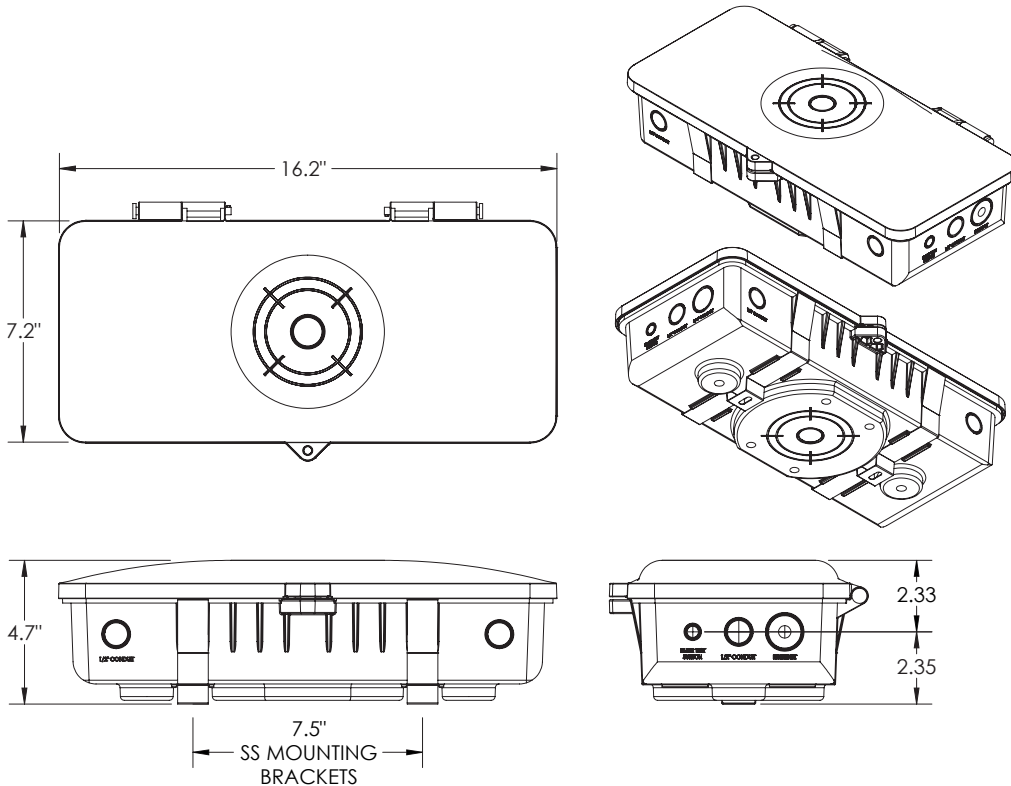
FCC4300R with Remote Driver and Battery Backup

BATTERY BACK-UPS

BBUR - BATTERY BACK-UP & LED DRIVER REMOTE (INDOOR), IP20, IK08, NEMA 1, 0°C to +48°C, 30' MAX Distance with 12AWG (w/UNV Option Only) 500 Lumens Nominal in EM Mode




BBUX - BATTERY BACK-UP & LED DRIVER REMOTE (OUTDOOR), IP67, IK10, NEMA 4X, -20°C to +55°C, 30' MAX Distance with 12AWG (w/UNV Option Only) 600 Lumens Nominal in EM Mode



***All stated specifications have a tolerance of +/- 7%.*

Due to continuous development and improvements, specifications are subject to change without notice. FC Lighting, Inc. reserves the right to change lab test details or specifications without notice. Product use certifies agreement to FC Lighting, Inc. terms and conditions.

© FC Lighting, Inc. 3609 Swenson Ave • St. Charles, IL • 60174 | fclighting.com | 800.900.1730

 US Commercial Lighting Manufacturer Since 1982

AG-DM-071323