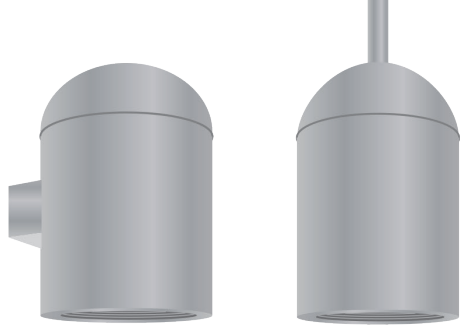


Date: \_\_\_\_\_  
 Type: \_\_\_\_\_  
 Fixture: \_\_\_\_\_  
 Project: \_\_\_\_\_

Approved: \_\_\_\_\_

# FCC4301R with Remote Driver and Battery Backup

6" Round wall or pendant mount down cylinder outdoor



## FEATURES

- Up to 2000 lm @ 36 Watts, Up to 100 LPW
- Remote Driver with Battery Backup options
- Clear anti-glare tempered glass lens (IK09)
- Multiple color finishes
- 0-10V 1% Dimming
- 1.5G Vibration Tested
- 93 CRI with 2 SDCM

## PERFORMANCE

**Beam Spread:** 15° | 40° | 50° | 72°  
**CCT Options:** 2700K | 3000K | 3500K | 4000K  
**CRI:** 93 CRI  
**Consistency:** 2 SDCM (Fixture to Fixture)  
**Lumens:** 700-2000 lm  
**Lifetime:** > 70,000 hours / L70 or better



## PHYSICAL

**Mounting:** Mounts directly to standard recessed junction box with wall mount or twist-lock canopy. Additional holes allow unit to be attached directly to mounting surface.

**Ingress Protection:** Continuous silicone gasket to seal out contaminants, IP65 rated for dry, damp or wet locations.

**Finish:** Six stage chemical iron phosphate conversion pre-treatment. Polyester powder coat finish, 18 µm Min., 5000hr salt spray test (ASTM B117) compliant with Florida / AAMA 2604 specification.

**Warranty:** 5-Year limited warranty (refer to website for details)

**Housing:** Heavy-walled, marine grade, corrosion resistant die-cast aluminum housing with wall mount or twist-lock canopy. Silicone 'O' ring gasket to seal out contaminants. Captive and recessed stainless steel, tamper resistant hex socket screws.

**Lens:** IK09 impact compliant, 1/8" thick clear, tempered glass

**Vibration Resistance:** Compliant with 1.5G ANSI C136.31, Seismic rated AC-156

**Weight:** 6-10 lbs (Depending on Length)

## ELECTRICAL

**Voltage:** Universal 120–277V AC standard, 347V optional

**Power Supply:** Integral Class II, electronic high-power factor >.90, THD < 20%, FCC Title 47 Part 15 Class A

**Power Consumption:** Up to 2000 lm @ 25W

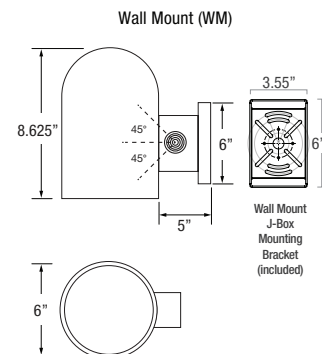
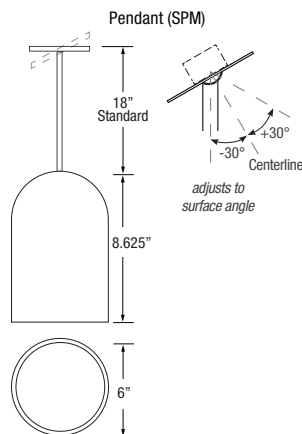
**Dimming:** 0-10V 1% Dimming

**Certification:** CEC Title 24 - JA8 Compliant (93 CRI Only)

**Standards:** cETLus Listed, CE, NOM, and RoHS Compliant. Wet location listed for wall or ceiling mount IP65 Ingress protection. 1.5G (ANSI C136.31) Vibration resistance rated. IK09 (IEC6226) Impact resistance rated. IESNA LM79 Photometric testing by NVLAP accredited test lab. IESNA LM80 LED testing by NVLAP accredited test lab. IESNA TM21 Luminaire lumen depreciation projection to >70,000hrs.

## PHYSICAL DIMENSIONS

Fixture	Length (H)
FCC4301R	8.625" Height
FCC4301RP	



\*\*All stated specifications have a tolerance of +/- 7%.

Due to continuous development and improvements, specifications are subject to change without notice. FC Lighting, Inc. reserves the right to change lab test details or specifications without notice. Product use certifies agreement to FC Lighting, Inc. terms and conditions.

© FC Lighting, Inc. 3609 Swenson Ave • St. Charles, IL • 60174 | fclighting.com | 800.900.1730

US Commercial Lighting Manufacturer Since 1982

AG-DM-071323

Date: \_\_\_\_\_  
 Type: \_\_\_\_\_  
 Fixture: \_\_\_\_\_  
 Project: \_\_\_\_\_

Approved: \_\_\_\_\_

# FCC4301R with Remote Driver and Battery Backup

## PRODUCT CODE

EXAMPLE: FCC4301R-P-18-UNV-927-7L-BKE-15-LD

MODEL	MOUNTING	SUSP LENGTH	VOLTAGE	COLOR	LUMENS	FINISH	OPTIC	DIMMING	OPTIONS	BATTERY
FCC4301R										

<p><b>MODEL</b>  <b>FCC4301R</b>          LED DRIVER REMOTE (INDOOR)          IP20, IK08, NEMA 1, -20°C to +50°C,          30' MAX Distance with 12AWG.          *Consult factory for outdoor remote          driver only.</p>	<p><b>LUMENS nominal</b></p> <table border="0"> <tr><td><b>7L</b></td><td>700 lm @ 12 W</td></tr> <tr><td><b>12L</b></td><td>1200 lm @ 24W</td></tr> <tr><td><b>20L</b></td><td>2000 lm @ 36W</td></tr> </table>	<b>7L</b>	700 lm @ 12 W	<b>12L</b>	1200 lm @ 24W	<b>20L</b>	2000 lm @ 36W	<p><b>DIMMING</b></p> <p><b>LD</b> 0-10V Dimming, 1% (Remote)</p>		
<b>7L</b>	700 lm @ 12 W									
<b>12L</b>	1200 lm @ 24W									
<b>20L</b>	2000 lm @ 36W									
<p><b>MOUNTING</b></p> <p><b>P</b> Slope Pendant  <b>(Blank)</b> Wall</p>	<p><b>FINISH</b></p> <p><b>BKE</b> Black (AAMA 2604)  <b>BRE</b> Bronze (AAMA 2604)  <b>GRE</b> Graphite Grey (AAMA 2604)  <b>SLE</b> Silver (AAMA 2604)  <b>WHE</b> White (AAMA 2604)  <b>CCE</b> Custom Color (AAMA 2604)</p>	<p><b>OPTIONS</b></p> <p><b>N/A</b> (Leave Blank)</p>								
<p><b>SPM LENGTH</b></p> <p>Specify the optional suspension length in inches.          (Top of fixture to ceiling) (SPM 18" Standard,          4"-120" Max; 61"-120" w/LD &amp; ET Only and stem          comes in 2 sections) *Consult factory &amp; price          guide for other lengths.</p>	<p><b>OPTIC nominal</b></p> <table border="0"> <tr><td><b>15</b></td><td>Spot (15°)</td></tr> <tr><td><b>40</b></td><td>Narrow Flood (40°)</td></tr> <tr><td><b>50</b></td><td>Flood (50°)</td></tr> <tr><td><b>72</b></td><td>Wide Flood (72°)</td></tr> </table>	<b>15</b>	Spot (15°)	<b>40</b>	Narrow Flood (40°)	<b>50</b>	Flood (50°)	<b>72</b>	Wide Flood (72°)	<p><b>BATTERY</b></p> <p><b>BBUR</b> BATTERY BACK-UP &amp; LED DRIVER REMOTE          (INDOOR), IP20, IK08, NEMA 1, 0°C to +48°C, 30'          MAX Distance with 12AWG (w/UNV Option Only)</p> <p><b>BBUX</b> BATTERY BACK-UP &amp; LED DRIVER REMOTE          (OUTDOOR), IP67, IK10, NEMA 4X, -20°C to          +55°C, 30' MAX Distance with 12AWG (w/UNV          Option Only)</p> <p><b>N/A</b> (Leave Blank for Remote Driver Only without          Battery Backup)</p>
<b>15</b>	Spot (15°)									
<b>40</b>	Narrow Flood (40°)									
<b>50</b>	Flood (50°)									
<b>72</b>	Wide Flood (72°)									
<p><b>VOLTAGE</b></p> <p><b>UNV</b> Universal 120-277 Volt AC  <b>347V</b> 347 Volt AC</p>										
<p><b>COLOR</b></p> <table border="0"> <tr><td><b>927</b></td><td>(93CRI) 2700K</td></tr> <tr><td><b>930</b></td><td>(93CRI) 3000K</td></tr> <tr><td><b>935</b></td><td>(93CRI) 3500K</td></tr> <tr><td><b>940</b></td><td>(93CRI) 4000K</td></tr> </table>	<b>927</b>	(93CRI) 2700K	<b>930</b>	(93CRI) 3000K	<b>935</b>	(93CRI) 3500K	<b>940</b>	(93CRI) 4000K		
<b>927</b>	(93CRI) 2700K									
<b>930</b>	(93CRI) 3000K									
<b>935</b>	(93CRI) 3500K									
<b>940</b>	(93CRI) 4000K									

\*\*All stated specifications have a tolerance of +/- 7%.

Due to continuous development and improvements, specifications are subject to change without notice. FC Lighting, Inc. reserves the right to change lab test details or specifications without notice. Product use certifies agreement to FC Lighting, Inc. terms and conditions.

# FCC4301R with Remote Driver and Battery Backup

## LUMENS

Model	Watts	940
FCC4301R	12 W	700 lm
	24 W	1200 lm
	36 W	2000 lm

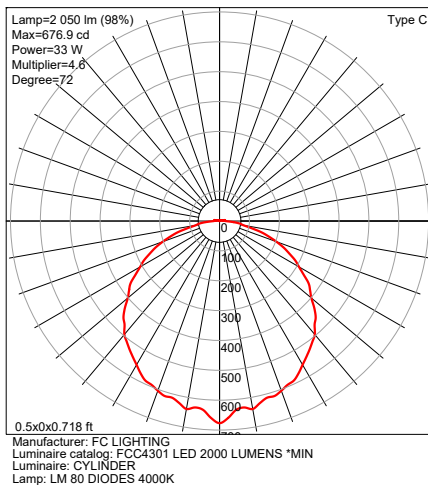
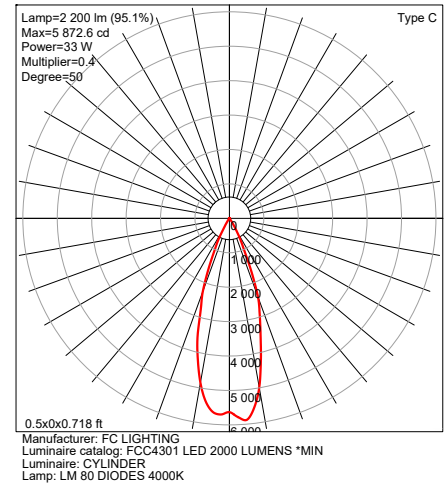
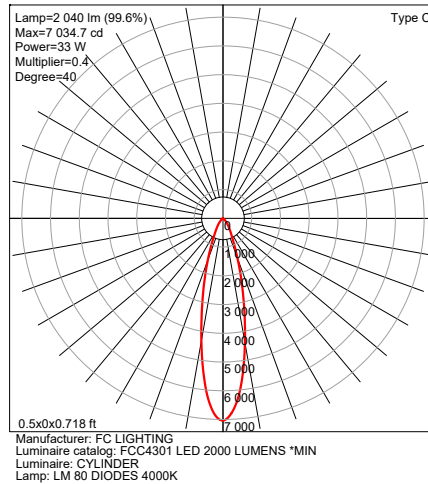
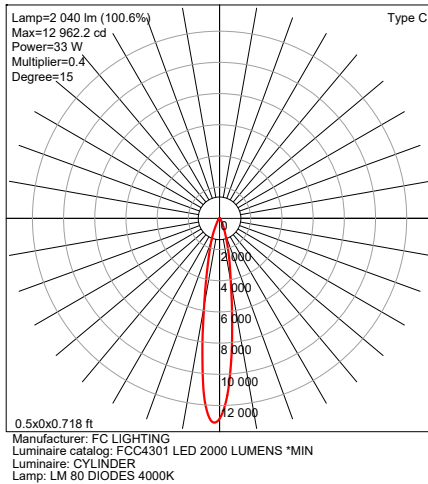
IES Multiplier	
Color	Multiplier
927	0.93
930	0.97
935	0.99
940	1.00

\*83CRI±1.15 Consult factory.

TRIAC & ELV Approved Dimmer List	
Manufacturer	Manufacturer Part Number
Lutron	Glyder GLV-600
	Diva DVLV-600P
	Diva DV-600P
	Diva DVELV-600P(303)
	Maestro MALV-600
	Nova T NT-1000
Leviton	Nova T NTELV-600
	Skylark SLV-600P
	RadioRA2-10ND
	SureSlide 6633
Illumatech IPE04	

0-10V Approved Dimmer List	
Manufacturer	Manufacturer Part Number
Lutron	Diva DVSTV-XX
	Diva DVSTV-453PH-WH1
Leviton	Illumatech 010-IP710-DLZ

## PHOTOMETRICS



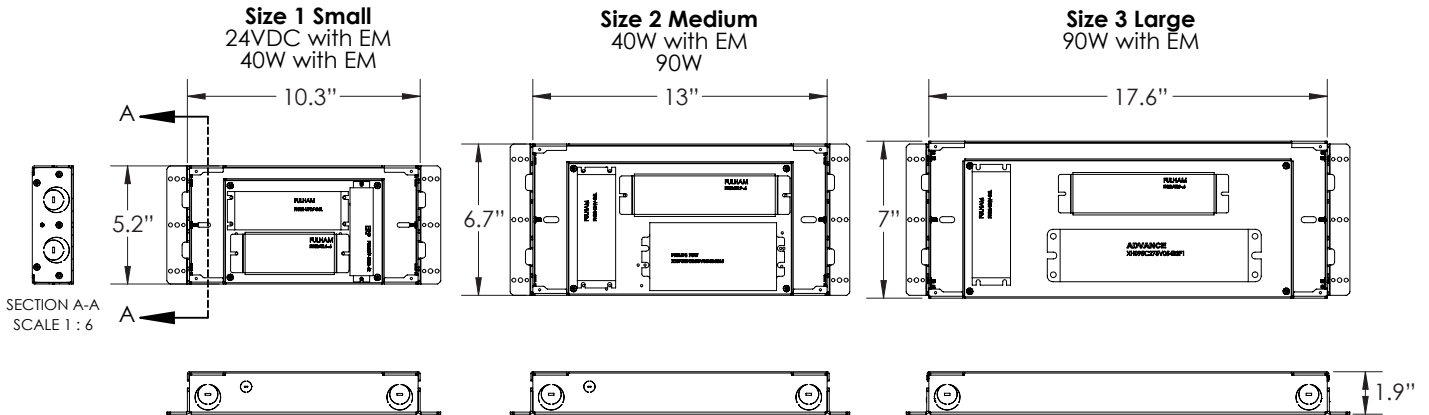
\*\*All stated specifications have a tolerance of +/- 7%.

Due to continuous development and improvements, specifications are subject to change without notice. FC Lighting, Inc. reserves the right to change lab test details or specifications without notice. Product use certifies agreement to FC Lighting, Inc. terms and conditions.

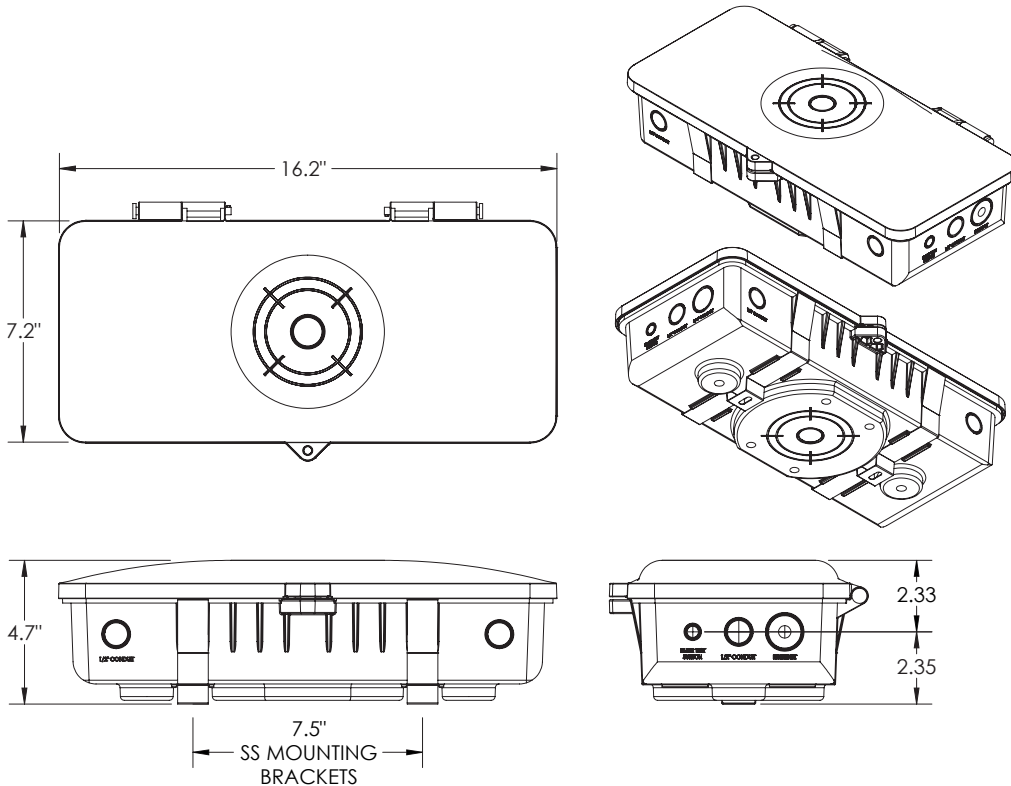
# FCC4301R with Remote Driver and Battery Backup

## BATTERY BACK-UPS

**BBUR - BATTERY BACK-UP & LED DRIVER REMOTE (INDOOR), IP20, IK08, NEMA 1, 0°C to +48°C, 30' MAX Distance with 12AWG (w/UNV Option Only)**




**BBUX - BATTERY BACK-UP & LED DRIVER REMOTE (OUTDOOR), IP67, IK10, NEMA 4X, -20°C to +55°C, 30' MAX Distance with 12AWG (w/UNV Option Only)**



*\*\*All stated specifications have a tolerance of +/- 7%.*

Due to continuous development and improvements, specifications are subject to change without notice. FC Lighting, Inc. reserves the right to change lab test details or specifications without notice. Product use certifies agreement to FC Lighting, Inc. terms and conditions.

© FC Lighting, Inc. 3609 Swenson Ave • St. Charles, IL • 60174 | fclighting.com | 800.900.1730

 US Commercial Lighting Manufacturer Since 1982

AG-DM-071323