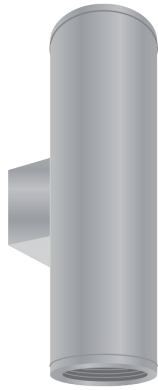


Date: _____
 Type: _____
 Fixture: _____
 Project: _____

Approved: _____

FCC600 Up/Down or Up, Standard Drivers without Battery Backup

6" Round wall mount up/down or up only cylinder outdoor



FEATURES

- Up to 5000 lm, Up to 100 LPW
- Numerous mounting capabilities
- Clear anti-glare tempered glass lens (IK09)
- Multiple color finishes
- 0-10V 1% Dimming (Standard)
- 1.5G Vibration Tested
- 95 CRI with 2 SDCM

PERFORMANCE

Beam Spread: 15° | 25° | 40° | 50° | 72°
CCT Options: 2700K | 3000K | 3500K | 4000K
CRI: 93 CRI
Consistency: 2 SDCM (Fixture to Fixture)
Lumens: 5000 lm
Lifetime: > 70,000 hours / L70 or better

PHYSICAL

Mounting: Mounts directly to standard recessed junction box with wall mount or twist-lock canopy. Additional holes allow unit to be attached directly to mounting surface.

Ingress Protection: Continuous silicone gasket to seal out contaminants, IP65 rated for dry, damp or wet locations

Finish: Six stage chemical iron phosphate conversion pre-treatment. Polyester powder coat finish, 18 µm Min., 5000hr salt spray test (ASTM B117) compliant with Florida / AAMA 2604 specification.

Warranty: 5-Year limited warranty (refer to website for details)

Housing: Heavy-walled, extruded aluminum housing with high pressure die-cast lens ring and cap with stainless steel hardware.

Lens: IK09 impact compliant, clear anti-glare tempered glass

Vibration Resistance: Compliant with 1.5G ANSI C136.31, Seismic rated AC-156

Weight: 8-12 lbs (Depending on Length)

Operating Temperature: -22°F to 122°F (-30°C to 50°C)

ELECTRICAL

Voltage: Universal 120–277V AC standard, 347V optional

Power Supply: Integral Class II, electronic high-power factor >.90, THD < 20%, FCC Title 47 Part 15 Class A. EldoLED & Lutron optional

Power Consumption: Up to 53W (5000 lm)

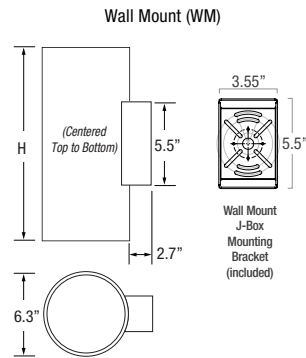
Dimming: Standard: 0-10V, 1% Dimming, Optional: ELV, TRIAC, dim to off, DMX, DALI

Certification: CEC Title 24 - JA8 Compliant (93 CRI Only)

Standards: cETLus Listed, CE, NOM, and RoHS Compliant. Wet location listed for wall or ceiling mount IP65 Ingress protection. 1.5G (ANSI C136.31) Vibration resistance rated. IK09 (IEC6226) Impact resistance rated. IESNA LM79 Photometric testing by NVLAP accredited test lab. IESNA LM80 LED testing by NVLAP accredited test lab. IESNA TM21 Luminaire lumen depreciation projection to >70,000hrs.

PHYSICAL DIMENSIONS

Fixture	Height (H)
FCC610W	10.95" Height (1 Integral Driver Only)
FCC612W	12.95" Height (1 Integral Driver Only)
FCC614W	14.95" Height (1 Integral Driver Only)
FCC616W	16.95" Height (1 Integral Driver Only)
FCC618W	18.95" Height
FCC620W	20.95" Height
	(All above are Wall Mount Standard)



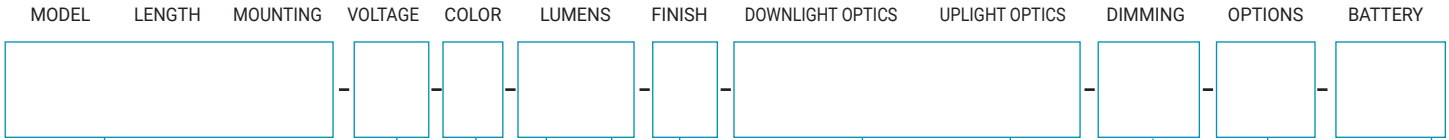
Date: _____
 Type: _____
 Fixture: _____
 Project: _____

Approved: _____

FCC600 Up/Down or Up, Standard Drivers without Battery Backup

PRODUCT CODE

EXAMPLE: FCC610W-UNV-927-505L-BKE-D15U15-ET



MODEL	LENGTH
FCC610W	10.95" Height (1 Integral Driver Only)
FCC612W	12.95" Height (1 Integral Driver Only)
FCC614W	14.95" Height (1 Integral Driver Only)
FCC616W	16.95" Height (1 Integral Driver Only)
FCC618W	18.95" Height
FCC620W	20.95" Height
(All above are Wall Mount Standard)	

DOWN LUMENS (nominal) UP LUMENS		
NO	No Light Option	
5	500 lm	05L
10	1000 lm	10L
15	1500 lm	15L
20	2000 lm	20L
25	2500 lm	25L
30	3000 lm	30L
35	3500 lm	35L
40	4000 lm	40L
45	4500 lm (Min 14" H)	45L
50	5000 lm (Min 14" H)	50L

DOWN LIGHT OPTICS (nominal)	UPLIGHT OPTICS
D15	Spot (15°) (15L Max)
D25	Narrow Flood (25°)
D40	Mid Flood (40°)
D50	Flood (50°)
D72	Wide Flood (72°)

WITH SOFT FIELD LENS (Below)		
D15S	Spot (15°) (15L Max)	U15S
D25S	Narrow Flood (25°)	U25S
D40S	Mid Flood (40°)	U40S
D50S	Flood (50°)	U50S
D72S	Wide Flood (72°)	U72S

(50L Max Total output) (Standard Lumen Output Split 50% Up / 50% Down) (Additional driver needed for unequal output selections)

VOLTAGE
UNV Universal 120-277 Volt AC
347V 347 Volt AC

COLOR
927 (93CRI) 2700K
930 (93CRI) 3000K
935 (93CRI) 3500K
940 (93CRI) 4000K

FINISH
BKE Black (AAMA 2604)
BRE Bronze (AAMA 2604)
GRE Graphite Grey (AAMA 2604)
SLE Silver (AAMA 2604)
WHE White (AAMA 2604)
CCE Custom Color (AAMA 2604)

DIMMING
ET ELV or TRIAC Driver (120V Phase Dimming w/ UNV Driver) (20L-45L Only)
LD 0-10V Dimming, 1% (Standard)
ET2 ELV or TRIAC Drivers (Qty. 2) (120V Phase Dimming w/ UNV Drivers) (20L-45L Only)
LD2 0-10V Dimming, 1% (Qty. 2)

OPTIONS
CV Cut-Off Visor (Down Only)

BATTERY
N/A (Leave Blank)

Due to continuous development and improvements, specifications are subject to change without notice. FC Lighting, Inc. reserves the right to change lab test details or specifications without notice. Product use certifies agreement to FC Lighting, Inc. terms and conditions. All stated specifications have a tolerance of +/- 7%.

FCC600 Up/Down or Up, Standard Drivers without Battery Backup

LUMENS nominal

Model	Watts	940
FCC6	5W (Min)	500 lm (Min)
	53W (Max)	5000 lm (Max)

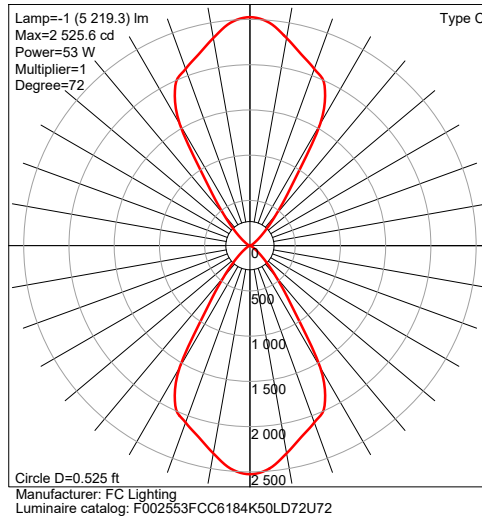
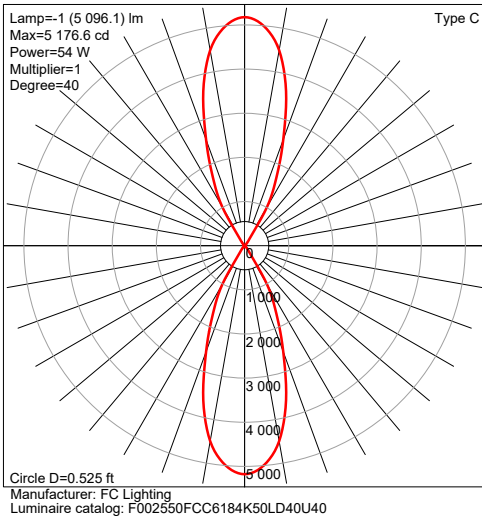
IES Multiplier	
Color	Multiplier
927	0.93
930	0.97
935	0.99
940	1.00

*83CRI≤1.15 Consult factory.

TRIAC & ELV Approved Dimmer List	
Manufacturer	Manufacturer Part Number
Lutron	Glyder GLV-600
	Diva DVLV-600P
	Diva DV-600P
	Diva DVELV-600P(303)
	Maestro MALV-600
	Nova T NT-1000
	Nova T NTELV-600
Leviton	SureSlide 6633
	Illumatech IPE04

0-10V Approved Dimmer List	
Manufacturer	Manufacturer Part Number
Lutron	Diva DVSTV-XX
	Diva DVSTV-453PH-WH1
Leviton	Illumatech 010-IP710-DLZ

PHOTOMETRICS



FCC600 Up/Down or Up, Standard Drivers without Battery Backup

MORE DIMENSIONS

Cutt-Off Visor (CV) (Down Only)

