

Date:	Approved:
Type:	
Fixture:	
Project:	

FCC6R08WSS / FCCSQ6R08WSS Stainless, Remote Drivers with Battery Backup

6" Round and square stainless steel cylinder outdoor



(Polished Stainless Steel Finish Shown Above)



Made in USA with domestic & globally sourced components

FEATURES

- Suitable for Marine and Seaside Applications by UL1598A
- Marine Grade 316L Machine Polished or Brushed Stainless Steel Finish
- Wall mount: Up, Down or Up/Down Combinations
- Up to 2400 lm (Max), +105 LPW
- Tri-Dim 0-10V 1% TRIAC & ELV (Standard)
- Thick, Impact Resistant, Clear Anti-glare Tempered Glass Lens, IK10 Rated
- Continuous Extruded Silicone Gasket Seals, IP65 Rated
- 93 CRI with 2 SDCM

PERFORMANCE

Beam Spread: 15° | 40° | 60° | 80°
CCT Options: 2700K | 3000K | 3500K | 4000K
CRI: 93 CRI
Consistency: 2 SDCM (Fixture to Fixture)
Lumens: 850 or 1200 lm Down + Up (Total 1700 or 2400 lm); 1000, 1500, 2000 lm Up or Down Only

PHYSICAL

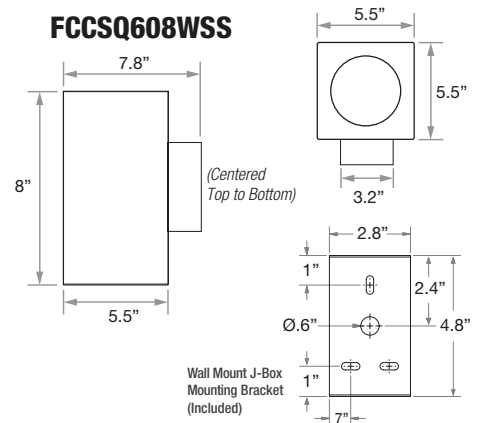
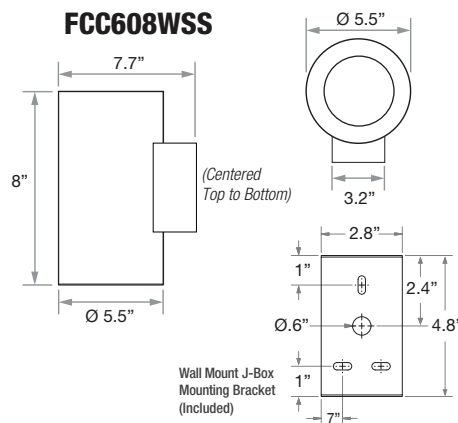
Mounting: Mounts directly to standard recessed junction box with wall mount.
Ingress Protection: Continuous silicone gasket to seal out contaminants, IP65 rated for dry, damp or wet locations
Finish: Marine Grade 316L Machine Polished or Brushed Stainless Steel Finish
Warranty: 5-Year limited warranty (refer to website for details)
Housing: Marine grade, corrosion resistant, heavy gauge 316L Stainless Steel.
Lens: IK10 impact compliant, clear anti-glare tempered glass
Vibration Resistance: Compliant with 1.5G ANSI C136.31, Seismic rated AC-156
Weight: 10 lbs
Operating Temperature: 14°F to 104°F (-10°C to 40°C)

ELECTRICAL

Voltage: Universal 120–277V AC standard, 347V optional (Remote)
Power Supply: Integral Class II, electronic high-power factor >.90, THD < 20%, FCC Title 47 Part 15 Class A.
Power Consumption: Up to 2400 lm (Combined Max)
Dimming: Standard: Tri-Dim (0-10V 1% Dimming, TRIAC & ELV), 347 Option 0-10V, 1% Dimming (Remote)
Certification: CEC Title 24 - JA8 Compliant (93 CRI Only)
Standards: cETLus Listed, CE, NOM, and RoHS Compliant. Wet location listed for wall mount IP65 ingress protection. 1.5G (ANSI C136.31) Vibration resistance rated. IK10 (IEC6226) Impact resistance rated. IESNA LM79 Photometric testing by NVLAP accredited test lab. IESNA LM80 LED testing by NVLAP accredited test lab. IESNA TM21 Luminaire lumen depreciation projection to >70,000hrs.

PHYSICAL DIMENSIONS

Fixture	Height (H)
FCC6R08WSS	8" Height
FCCSQ6R08WSS	8" Height

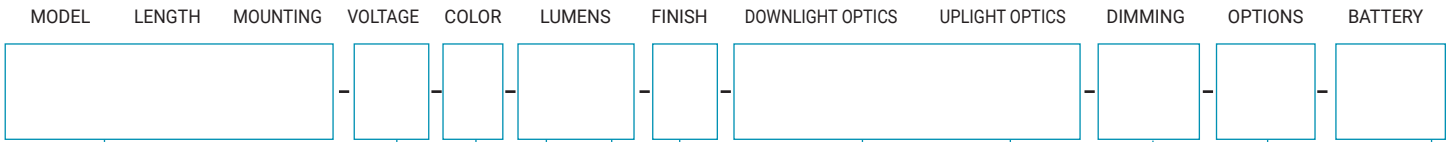


Due to continuous development and improvements, specifications are subject to change without notice. FC Lighting, Inc. reserves the right to change lab test details or specifications without notice. Product use certifies agreement to FC Lighting, Inc. terms and conditions. All stated specifications have a tolerance of +/- 7%.

FCC6R08WSS / FCCSQ6R08WSS Stainless, Remote Drivers with Battery Backup

PRODUCT CODE

EXAMPLE: FCC6R08WSS-UNV-927-12L12L-PSS-D15U15-TD



MODEL

- FCC6R08WSS** 8" Height
- FCCSQ6R08WSS** 8" Height

(All above are Stainless Steel Wall Mount, Standard). LED DRIVER REMOTE (INDOOR) IP20, IK08, NEMA 1, -20°C to +50°C, 30' MAX Distance with 12AWG. *Consult factory for outdoor remote driver only.

DOWN LUMENS (nominal) UP LUMENS

09L	850 lm Down/850 lm Up	09L
12L	1200 lm Down/1200 lm Up	12L
10L	1000 lm Down/Up No Light	UNO
15L	1500 lm Down/Up No Light	UNO
20L	2000 lm Down/Up No Light	UNO
DNO	Down No Light/1000 lm Up	10L
DNO	Down No Light/1500 lm Up	15L
DNO	Down No Light/2000 lm Up	20L

(Standard Lumen Output Split 50% Up, 50% Down) (24L Max Total)

DOWN LIGHT OPTICS (nominal) UPLIGHT OPTICS

D15	Spot (15°)	U15
D40	Mid Flood (40°)	U40
D60	Flood (60°)	U60
D80	Wide Flood (80°)	U80
DNO	(Use for No Light)	UNO

WITH SOFT FIELD LENS (Below)

(Not Available)

DIMMING

- TD** Tri-Dim (0-10V 1%, TRIAC & ELV) (UNV Only) (Remote)
- LD347** 0-10V Dimming, 1% (347V Only) (Remote)

*All drivers listed above are remote.

OPTIONS

- N/A** (Leave Blank)

BATTERY

- BBUR** BATTERY BACK-UP & LED DRIVER REMOTE (INDOOR), IP20, IK08, NEMA 1, 0°C to +48°C, 30' MAX Distance with 12AWG (w/UNV Option Only)
- BBUX** BATTERY BACK-UP & LED DRIVER REMOTE (OUTDOOR), IP67, IK10, NEMA 4X, -20°C to +55°C, 30' MAX Distance with 12AWG (w/UNV Option Only)

VOLTAGE

- UNV** Universal 120-277 Volt AC (Remote)
- 347V** 347 Volt AC (Remote)

FINISH

- PSS** Polished Stainless Steel (Standard)
- BSS** Brushed Stainless Steel (#4 Finish)

COLOR

- 927** (93CRI) 2700K
- 930** (93CRI) 3000K
- 935** (93CRI) 3500K
- 940** (93CRI) 4000K



FCC6R08WSS / FCCSQ6R08WSS Stainless, Remote Drivers with Battery Backup

LUMENS nominal

Model	Watts	940
FCC6R08WSS/ FCCSQ6R08WSS	10 W	1000 lm (Min) D or U
	14W	1500 lm (Max) D or U
	20W	2000 lm (Max) D or U
	19W	1700 lm (CombinedMax) D/U
	26W	2400 lm (Combined Max) D/U

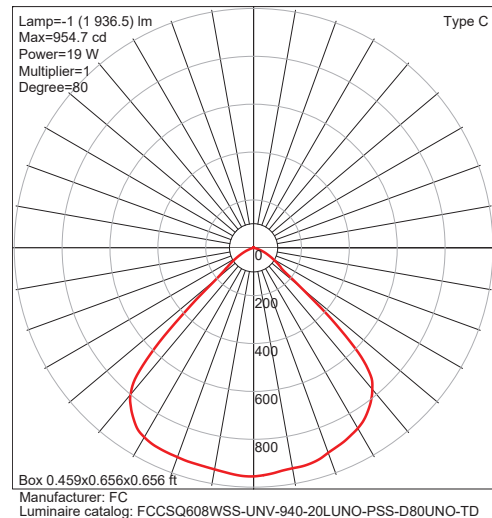
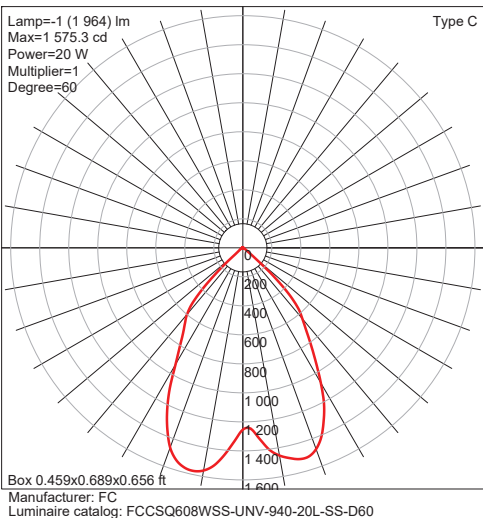
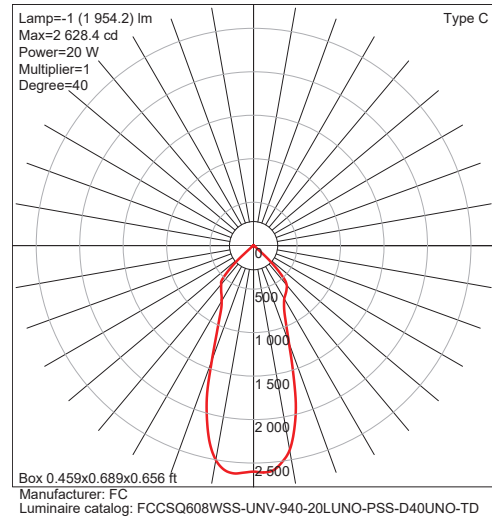
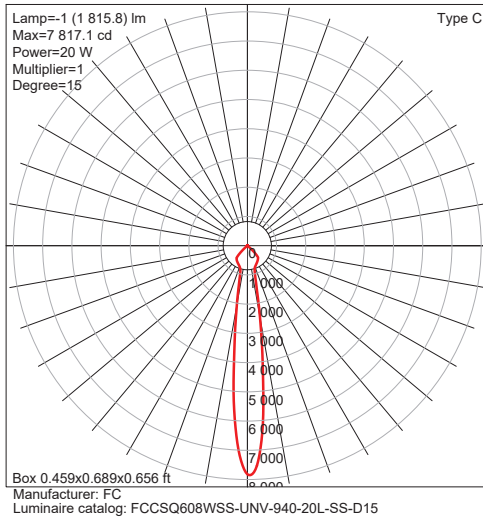
IES Multiplier	
Color	Multiplier
927	0.93
930	0.97
935	0.99
940	1.00

*83CRI≤1.15 Consult factory.

TRIAC & ELV Approved Dimmer List	
Manufacturer	Manufacturer Part Number
Lutron	Glyder GLV-600
	Diva DVLV-600P
	Diva DV-600P
	Diva DVELV-600P(303)
	Maestro MALV-600
	Nova T NT-1000
Leviton	Nova T NTELV-600
	Skyark SLV-600P
	RadioRA2-10ND
	SureSlide 6633
	Illumatech IPE04

0-10V Approved Dimmer List	
Manufacturer	Manufacturer Part Number
Lutron	Diva DVSTV-XX
	Diva DVSTV-453PH-WH1
Leviton	Illumatech 010-IP710-DLZ

PHOTOMETRICS

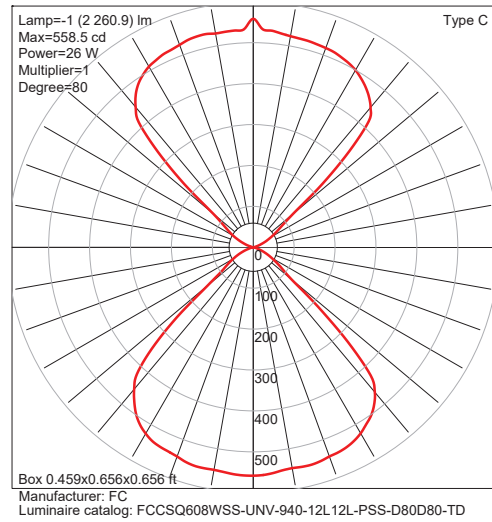
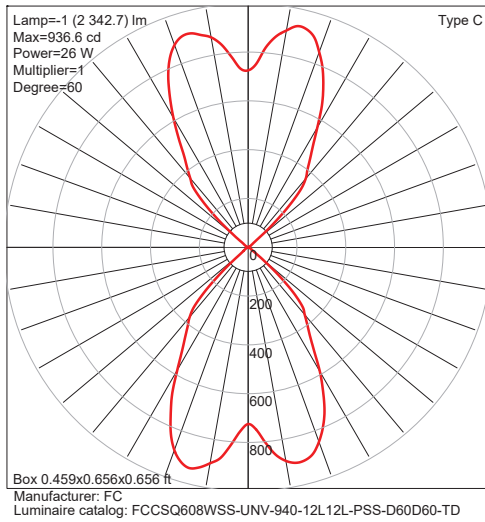
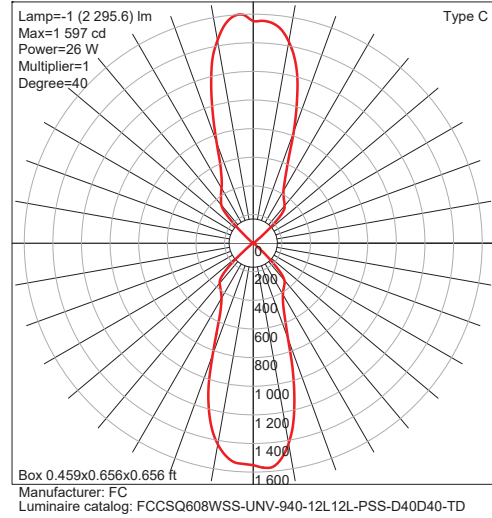
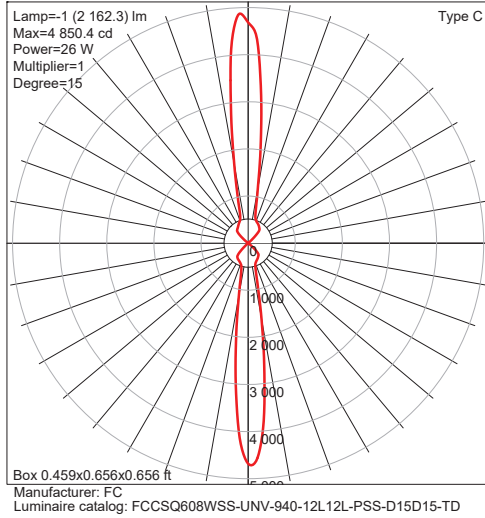


Due to continuous development and improvements, specifications are subject to change without notice. FC Lighting, Inc. reserves the right to change lab test details or specifications without notice. Product use certifies agreement to FC Lighting, Inc. terms and conditions. All stated specifications have a tolerance of +/- 7%.



FCC6R08WSS / FCCSQ6R08WSS Stainless, Remote Drivers with Battery Backup

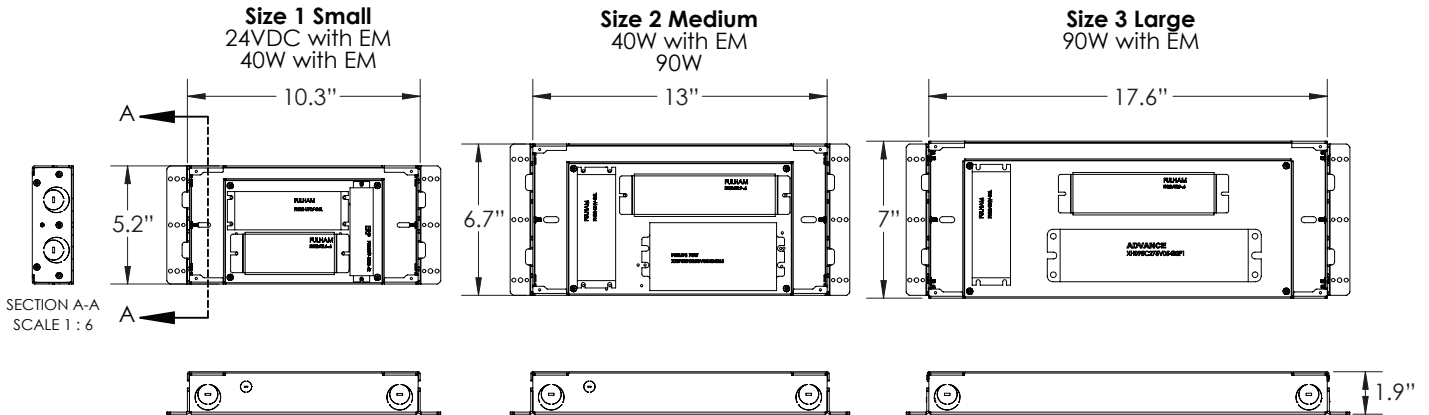
PHOTOMETRICS



FCC6R08WSS / FCCSQ6R08WSS Stainless, Remote Drivers with Battery Backup

BATTERY BACK-UPS

BBUR - BATTERY BACK-UP & LED DRIVER REMOTE (INDOOR), IP20, IK08, NEMA 1, 0°C to +48°C, 30' MAX Distance with 12AWG (w/UNV Option Only)



BBUX - BATTERY BACK-UP & LED DRIVER REMOTE (OUTDOOR), IP67, IK10, NEMA 4X, -20°C to +55°C, 30' MAX Distance with 12AWG (w/UNV Option Only)

