

Date: _____
 Type: _____
 Fixture: _____
 Project: _____

Approved: _____

FCCSQ400 Down Only, Standard Drivers without Battery Backup

4" Square wall, pendant or surface mount down cylinder outdoor



FEATURES

- Up to 3000 lm, Up to 100 LPW
- Numerous mounting capabilities
- Clear anti-glare tempered glass lens (IK09)
- Multiple color finishes
- 0-10V 1% Dimming (Standard)
- 1.5G Vibration Tested
- 93 CRI with 2 SDCM

PERFORMANCE

Beam Spread: 15° | 25° | 50° | 72° | 90°
CCT Options: 2700K | 3000K | 3500K | 4000K
CRI: 93 CRI
Consistency: 2 SDCM (Fixture to Fixture)
Lumens: 500-3000 lm
Lifetime: > 70,000 hours / L70 or better

PHYSICAL

Mounting: Mounts directly to standard recessed junction box with wall mount or twist-lock canopy. Additional holes allow unit to be attached directly to mounting surface. Not intended for open ceilings or surface mount conduit j-box applications. Recessed j-box must be flush with finished wall or ceiling surface.

Ingress Protection: Continuous silicone gasket to seal out contaminants, IP65 rated for dry, damp or wet locations. SF option rated IP65 for cover ceiling application only.

Finish: Six stage chemical iron phosphate conversion pre-treatment. Polyester powder coat finish, 18 µm Min., 5000hr salt spray test (ASTM B117) compliant with Florida / AAMA 2604 specification.

Warranty: 5-Year limited warranty (refer to website for details)

Housing: Heavy-walled, extruded aluminum housing with high pressure die-cast lens ring and cap with stainless steel hardware.

Lens: IK09 impact compliant, clear anti-glare tempered glass

Vibration Resistance: Compliant with 1.5G ANSI C136.31, Seismic rated AC-156

Weight: 8-12 lbs (Depending on Length)

Operating Temperature: -22°F to 122°F (-30°C to 50°C)

ELECTRICAL

Voltage: Universal 120–277V AC standard, 347V optional

Power Supply: Integral Class II, electronic high-power factor >.90, THD < 20%, FCC Title 47 Part 15 Class A. EldoLED & Lutron optional

Power Consumption: Up to 3000 lm @ 35W

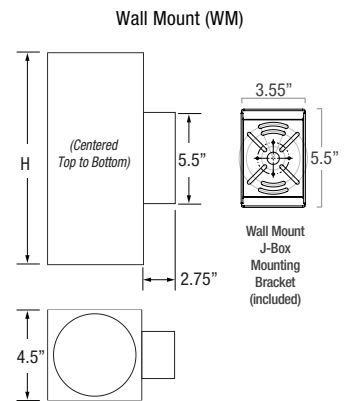
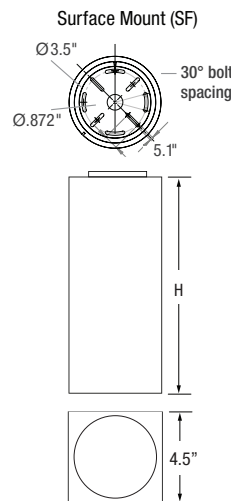
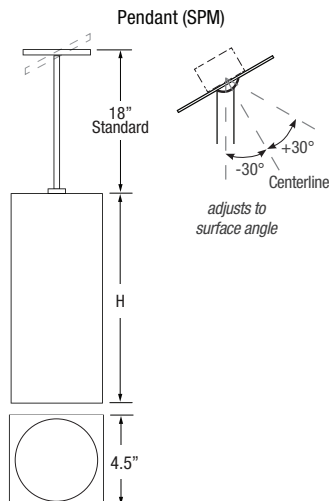
Dimming: **Standard:** 0-10V, 1% Dimming, **Optional:** ELV, TRIAC, dim to off, DMX, DALI

Certification: CEC Title 24 - JAB Compliant (93 CRI Only)

Standards: cETLus Listed, CE, NOM, and RoHS Compliant. Wet location listed for wall or ceiling mount IP65 Ingress protection. 1.5G (ANSI C136.31) Vibration resistance rated. IK09 (IEC6226) Impact resistance rated. IESNA LM79 Photometric testing by NVLAP accredited test lab. IESNA LM80 LED testing by NVLAP accredited test lab. IESNA TM21 Luminaire lumen depreciation projection to >70,000hrs.

PHYSICAL DIMENSIONS

Fixture	Length (H)
FCC400-10	10.95" Height
FCC400-12	12.95" Height
FCC400-14	14.95" Height
FCC400-16	16.95" Height
FCC400-18	18.95" Height
FCC400-20	20.95" Height



Date: _____
 Type: _____
 Fixture: _____
 Project: _____

Approved: _____

FCCSQ400 Down Only, Standard Drivers without Battery Backup

PRODUCT CODE

EXAMPLE: FCCSQ400-10-SPM-18-UNV-927-05L-BKE-15-ET-CV

MODEL	HEIGHT	MOUNTING	SUSP. LENGTH	VOLTAGE	COLOR	LUMENS	FINISH	OPTIC	DIMMING	OPTIONS	BATTERY
FCCSQ400											

<p>MODEL FCCSQ400</p>	<p>HEIGHT</p> <table border="0"> <tr><td>10</td><td>10.95" Height</td></tr> <tr><td>12</td><td>12.95" Height</td></tr> <tr><td>14</td><td>14.95" Height</td></tr> <tr><td>16</td><td>16.95" Height</td></tr> <tr><td>18</td><td>18.95" Height</td></tr> <tr><td>20</td><td>20.95" Height</td></tr> </table>	10	10.95" Height	12	12.95" Height	14	14.95" Height	16	16.95" Height	18	18.95" Height	20	20.95" Height	<p>MOUNTING</p> <table border="0"> <tr><td>SPM</td><td>Slope Pendant</td></tr> <tr><td>SF</td><td>Surface</td></tr> <tr><td>WM</td><td>Wall</td></tr> </table>	SPM	Slope Pendant	SF	Surface	WM	Wall	<p>SPM LENGTH</p> <p>Specify the optional suspension length in inches. (Top of fixture to ceiling) (SPM 18" Standard, 4"-120" Max; 61"-120" w/LD & ET Only and stem comes in 2 sections) *Consult factory & price guide for other lengths.</p>	<p>VOLTAGE</p> <table border="0"> <tr><td>UNV</td><td>Universal 120-277 Volt AC</td></tr> <tr><td>347V</td><td>347 Volt AC</td></tr> </table>	UNV	Universal 120-277 Volt AC	347V	347 Volt AC	<p>COLOR</p> <table border="0"> <tr><td>927</td><td>(93CRI) 2700K</td></tr> <tr><td>930</td><td>(93CRI) 3000K</td></tr> <tr><td>935</td><td>(93CRI) 3500K</td></tr> <tr><td>940</td><td>(93CRI) 4000K</td></tr> </table>	927	(93CRI) 2700K	930	(93CRI) 3000K	935	(93CRI) 3500K	940	(93CRI) 4000K	<p>LUMENS nominal</p> <table border="0"> <tr><td>05L</td><td>500 lm</td></tr> <tr><td>10L</td><td>1000 lm</td></tr> <tr><td>15L</td><td>1500 lm</td></tr> <tr><td>20L</td><td>2000 lm</td></tr> <tr><td>25L</td><td>2500 lm</td></tr> <tr><td>30L</td><td>3000 lm</td></tr> </table>	05L	500 lm	10L	1000 lm	15L	1500 lm	20L	2000 lm	25L	2500 lm	30L	3000 lm	<p>FINISH</p> <table border="0"> <tr><td>BKE</td><td>Black (AAMA 2604)</td></tr> <tr><td>BRE</td><td>Bronze (AAMA 2604)</td></tr> <tr><td>GRE</td><td>Graphite Grey (AAMA 2604)</td></tr> <tr><td>SLE</td><td>Silver (AAMA 2604)</td></tr> <tr><td>WHE</td><td>White (AAMA 2604)</td></tr> <tr><td>CCE</td><td>Custom Color (AAMA 2604)</td></tr> </table>	BKE	Black (AAMA 2604)	BRE	Bronze (AAMA 2604)	GRE	Graphite Grey (AAMA 2604)	SLE	Silver (AAMA 2604)	WHE	White (AAMA 2604)	CCE	Custom Color (AAMA 2604)	<p>OPTIC nominal</p> <table border="0"> <tr><td>15</td><td>Spot (15°) (20L Max)</td></tr> <tr><td>25</td><td>Narrow Flood (25°)</td></tr> <tr><td>50</td><td>Flood (50°)</td></tr> <tr><td>72</td><td>Wide Flood (72°)</td></tr> <tr><td>90</td><td>Flat (90°)</td></tr> </table> <p>w/SOFT FIELD</p> <table border="0"> <tr><td>15S</td><td>Spot (15°) (20L Max)</td></tr> <tr><td>25S</td><td>Narrow Flood (25°)</td></tr> <tr><td>50S</td><td>Flood (50°)</td></tr> <tr><td>72S</td><td>Wide Flood (72°)</td></tr> <tr><td>90S</td><td>Flat (90°)</td></tr> </table>	15	Spot (15°) (20L Max)	25	Narrow Flood (25°)	50	Flood (50°)	72	Wide Flood (72°)	90	Flat (90°)	15S	Spot (15°) (20L Max)	25S	Narrow Flood (25°)	50S	Flood (50°)	72S	Wide Flood (72°)	90S	Flat (90°)	<p>DIMMING</p> <table border="0"> <tr><td>ET</td><td>ELV or TRIAC Driver (120V Phase Dimming w/ UNV Driver) (20L-30L Only)</td></tr> <tr><td>LD</td><td>0-10V Dimming, 1% (Standard)</td></tr> </table>	ET	ELV or TRIAC Driver (120V Phase Dimming w/ UNV Driver) (20L-30L Only)	LD	0-10V Dimming, 1% (Standard)	<p>OPTIONS</p> <table border="0"> <tr><td>CV</td><td>Cut-Off Visor (Down Only)</td></tr> </table>	CV	Cut-Off Visor (Down Only)	<p>BATTERY</p> <table border="0"> <tr><td>N/A</td><td>(Leave Blank)</td></tr> </table>	N/A	(Leave Blank)
10	10.95" Height																																																																																												
12	12.95" Height																																																																																												
14	14.95" Height																																																																																												
16	16.95" Height																																																																																												
18	18.95" Height																																																																																												
20	20.95" Height																																																																																												
SPM	Slope Pendant																																																																																												
SF	Surface																																																																																												
WM	Wall																																																																																												
UNV	Universal 120-277 Volt AC																																																																																												
347V	347 Volt AC																																																																																												
927	(93CRI) 2700K																																																																																												
930	(93CRI) 3000K																																																																																												
935	(93CRI) 3500K																																																																																												
940	(93CRI) 4000K																																																																																												
05L	500 lm																																																																																												
10L	1000 lm																																																																																												
15L	1500 lm																																																																																												
20L	2000 lm																																																																																												
25L	2500 lm																																																																																												
30L	3000 lm																																																																																												
BKE	Black (AAMA 2604)																																																																																												
BRE	Bronze (AAMA 2604)																																																																																												
GRE	Graphite Grey (AAMA 2604)																																																																																												
SLE	Silver (AAMA 2604)																																																																																												
WHE	White (AAMA 2604)																																																																																												
CCE	Custom Color (AAMA 2604)																																																																																												
15	Spot (15°) (20L Max)																																																																																												
25	Narrow Flood (25°)																																																																																												
50	Flood (50°)																																																																																												
72	Wide Flood (72°)																																																																																												
90	Flat (90°)																																																																																												
15S	Spot (15°) (20L Max)																																																																																												
25S	Narrow Flood (25°)																																																																																												
50S	Flood (50°)																																																																																												
72S	Wide Flood (72°)																																																																																												
90S	Flat (90°)																																																																																												
ET	ELV or TRIAC Driver (120V Phase Dimming w/ UNV Driver) (20L-30L Only)																																																																																												
LD	0-10V Dimming, 1% (Standard)																																																																																												
CV	Cut-Off Visor (Down Only)																																																																																												
N/A	(Leave Blank)																																																																																												

Due to continuous development and improvements, specifications are subject to change without notice. FC Lighting, Inc. reserves the right to change lab test details or specifications without notice. Product use certifies agreement to FC Lighting, Inc. terms and conditions. All stated specifications have a tolerance of +/- 7%.



FCCSQ400 Down Only, Standard Drivers without Battery Backup

LUMENS nominal

Model	Watts	940
FCCSQ400	5 W (Min)	500 lm (Min)
	35 W (Max)	3000 lm (Max)

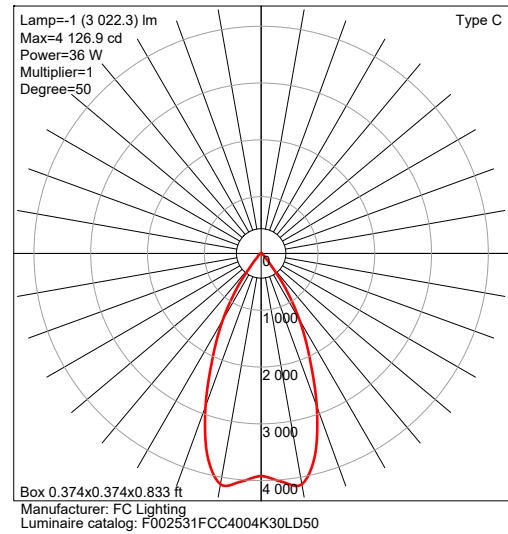
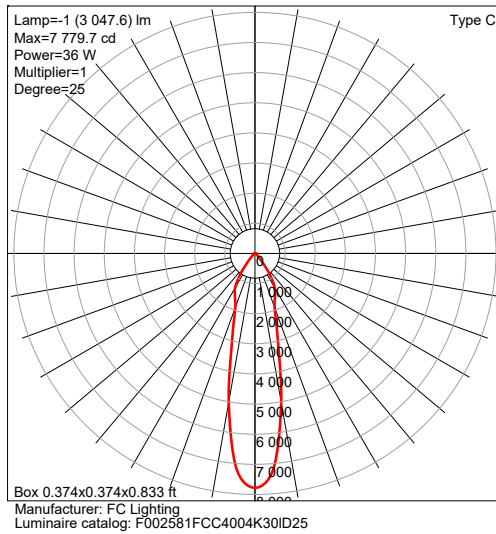
IES Multiplier	
Color	Multiplier
927	0.93
930	0.97
935	0.99
940	1.00

*83CRI@1.15 Consult factory.

TRIAC & ELV Approved Dimmer List	
Manufacturer	Manufacturer Part Number
Lutron	Glyder GLV-600
	Diva DVLV-600P
	Diva DV-600P
	Diva DVELV-600P(303)
	Maestro MALV-600
	Nova T NT-1000
	Nova T NTELV-600
Leviton	Skylark SLV-600P
	RadioRA2-10ND
	SureSlide 6633
	Illumatech IPE04

0-10V Approved Dimmer List	
Manufacturer	Manufacturer Part Number
Lutron	Diva DVSTV-XX
	Diva DVSTV-453PH-WH1
Leviton	Illumatech 010-IP710-DLZ

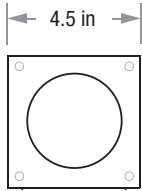
PHOTOMETRICS



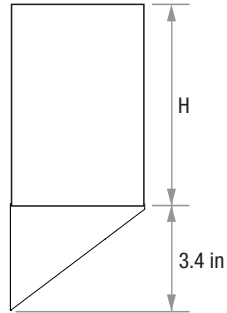
FCCSQ400 Down Only, Standard Drivers without Battery Backup

MORE DIMENSIONS

Cutt-Off Visor (CV) *(Down Only)*



Bottom View



Side View