

Date: \_\_\_\_\_  
 Type: \_\_\_\_\_  
 Fixture: \_\_\_\_\_  
 Project: \_\_\_\_\_

Approved: \_\_\_\_\_

# FCCSQ400 Up/Down or Up, Standard Drivers without Battery Backup

4" Square wall mount up/down or up only cylinder outdoor



## FEATURES

- Up to 3000 lm, Up to 100 LPW
- Operating Environment -22°F to 122°F (-30°C to 50°C)
- Clear anti-glare tempered glass lens (IK09)
- Multiple color finishes
- 0-10V 1% Dimming (Standard)
- 1.5G Vibration Tested
- 93 CRI with 2 SDCM

## PERFORMANCE

**Beam Spread:** 15° | 25° | 50° | 72° | 90°  
**CCT Options:** 2700K | 3000K | 3500K | 4000K  
**CRI:** 93 CRI  
**Consistency:** 2 SDCM (Fixture to Fixture)  
**Lumens:** 500-3000 lm  
**Lifetime:** > 70,000 hours / L70 or better

## PHYSICAL

**Mounting:** Mounts directly to standard recessed junction box with wall mount or twist-lock canopy. Additional holes allow unit to be attached directly to mounting surface.

**Ingress Protection:** Continuous silicone gasket to seal out contaminants, IP65 rated for dry, damp or wet locations.

**Finish:** Six stage chemical iron phosphate conversion pre-treatment. Polyester powder coat finish, 18 µm Min., 5000hr salt spray test (ASTM B117) compliant with Florida / AAMA 2604 specification.

**Warranty:** 5-Year limited warranty (refer to website for details)

**Housing:** Heavy-walled, extruded aluminum housing with high pressure die-cast lens ring and cap with stainless steel hardware.

**Lens:** IK09 impact compliant, clear anti-glare tempered glass

**Vibration Resistance:** Compliant with 1.5G ANSI C136.31, Seismic rated AC-156

**Weight:** 8-12 lbs (Depending on Length)

**Operating Temperature:** -22°F to 122°F (-30°C to 50°C)

## ELECTRICAL

**Voltage:** Universal 120–277V AC standard, 347V optional

**Power Supply:** Integral Class II, electronic high-power factor >.90, THD < 20%, FCC Title 47 Part 15 Class A.

**Power Consumption:** Up to 3000 lm @ 35W

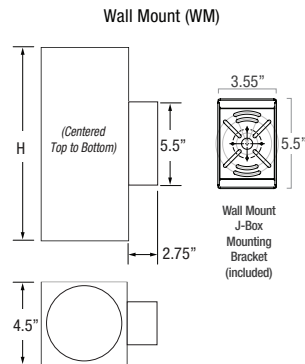
**Dimming:** Standard: 0-10V, 1% Dimming, Optional: ELV, TRIAC, dim to off, DMX, DALI

**Certification:** CEC Title 24 - JA8 Compliant (93 CRI Only)

**Standards:** cETLus Listed, CE, NOM, and RoHS Compliant. Wet location listed for wall or ceiling mount IP65 Ingress protection. 1.5G (ANSI C136.31) Vibration resistance rated. IK09 (IEC6226) Impact resistance rated. IESNA LM79 Photometric testing by NVLAP accredited test lab. IESNA LM80 LED testing by NVLAP accredited test lab. IESNA TM21 Luminaire lumen depreciation projection to >70,000hrs.

## PHYSICAL DIMENSIONS

Fixture	Height (H)
FCCSQ410W	10.95" Height (1 Integral Driver Only)
FCCSQ412W	12.95" Height (1 Integral Driver Only)
FCCSQ414W	14.95" Height
FCCSQ416W	16.95" Height
FCCSQ418W	18.95" Height
FCCSQ420W	20.95" Height
	(All above are Wall Mount Standard)



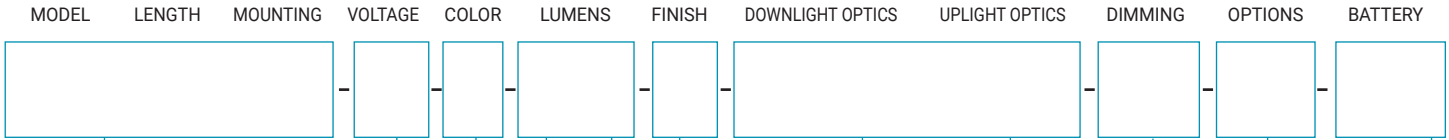
Date: \_\_\_\_\_  
 Type: \_\_\_\_\_  
 Fixture: \_\_\_\_\_  
 Project: \_\_\_\_\_

Approved: \_\_\_\_\_

# FCCSQ400 Up/Down or Up, Standard Drivers without Battery Backup

## PRODUCT CODE

EXAMPLE: FCCSQ410W-UNV-927-505L-BKE-D15U15-ET



MODEL	
FCCSQ410W	10.95" Height (1 Integral Driver Only)
FCCSQ412W	12.95" Height (1 Integral Driver Only)
FCCSQ414W	14.95" Height
FCCSQ416W	16.95" Height
FCCSQ418W	18.95" Height
FCCSQ420W	20.95" Height  (All above are Wall Mount Standard)

DOWN LUMENS (nominal) UP LUMENS		
NO	No Light Option	
5	500 lm	05L
10	1000 lm	10L
15	1500 lm	15L
20	2000 lm	20L
25	2500 lm	25L
30	3000 lm	30L

DOWN LIGHT OPTICS (nominal) UPLIGHT OPTICS		
D15	Spot (15°) (20L Max)	U15
D25	Narrow Flood (25°)	U25
D50	Flood (50°)	U50
D72	Wide Flood (72°)	U72
D90	Flat (90°)	U90

WITH SOFT FIELD LENS (Below)		
D15S	Spot (15°) (20L Max)	U15S
D25S	Narrow Flood (25°)	U25S
D50S	Flood (50°)	U50S
D72S	Wide Flood (72°)	U72S
D90S	Flat (90°)	U90S

VOLTAGE	
UNV	Universal 120-277 Volt AC
347	347 Volt AC

**(30L Max Total output) (Standard Lumen Output Split 50% Up / 50% Down) (Additional driver needed for unequal output selections)**

COLOR	
927	(93CRI) 2700K
930	(93CRI) 3000K
935	(93CRI) 3500K
940	(93CRI) 4000K

FINISH	
BKE	Black (AAMA 2604)
BRE	Bronze (AAMA 2604)
GRE	Graphite Grey (AAMA 2604)
SLE	Silver (AAMA 2604)
WHE	White (AAMA 2604)
CCE	Custom Color (AAMA 2604)

DIMMING	
ET	ELV or TRIAC Driver (120V Phase Dimming w/ UNV Driver) (20L-30L Only)
LD	0-10V Dimming, 1% (Standard)
ET2	ELV or TRIAC Drivers (Qty. 2) (120V Phase Dimming w/ UNV Drivers) (Each Driver: 20L-30L Only) (2 Separate Circuits: Individual Control of Power and Dimming for Up/Down Lighting)
LD2	0-10V Dimming, 1% (Qty. 2) (2 Separate Circuits: Individual Control of Power and Dimming for Up/Down Lighting)

OPTIONS	
CV	Cut-Off Visor (Down Only)

BATTERY	
N/A	(Leave Blank)



# FCCSQ400 Up/Down or Up, Standard Drivers without Battery Backup

## LUMENS nominal

Model	Watts	940
FCCSQ4	5 W (Min)	500 lm (Min)
	35 W (Max)	3000 lm (Max)

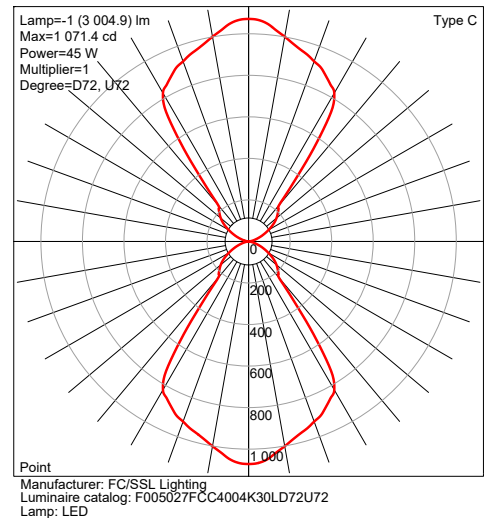
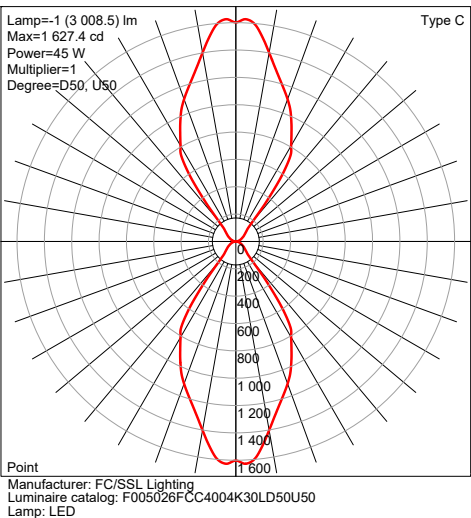
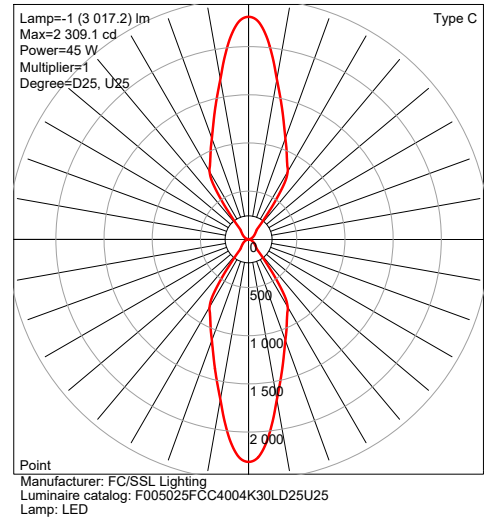
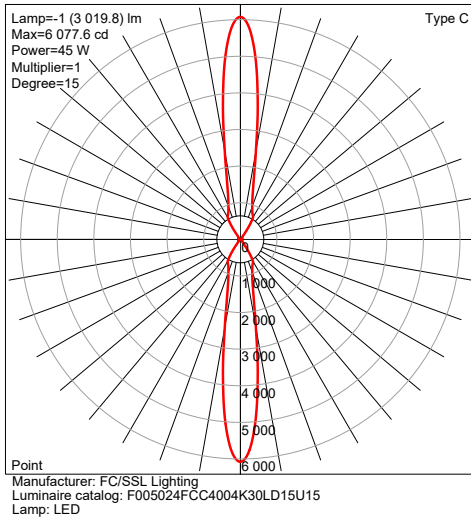
IES Multiplier	
Color	Multiplier
927	0.93
930	0.97
935	0.99
940	1.00

\*83CRI±1.15 Consult factory.

TRIAC & ELV Approved Dimmer List	
Manufacturer	Manufacturer Part Number
Lutron	Glyder GLV-600
	Diva DVLV-600P
	Diva DV-600P
	Diva DVELV-600P(303)
	Maestro MALV-600
	Nova T NT-1000
	Nova T NTELV-600
Leviton	Skylark SLV-600P
	RadioRA2-10ND
	SureSlide 6633
	Illumatech IPE04

0-10V Approved Dimmer List	
Manufacturer	Manufacturer Part Number
Lutron	Diva DVSTV-XX
	Diva DVSTV-453PH-WH1
Leviton	Illumatech 010-IP710-DLZ

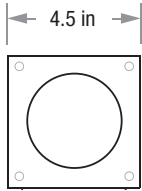
## PHOTOMETRICS



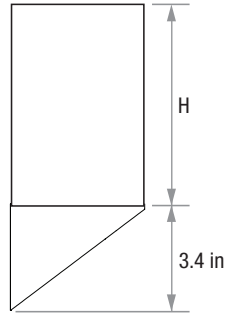
## FCCSQ400 Up/Down or Up, Standard Drivers without Battery Backup

### MORE DIMENSIONS

Cutt-Off Visor (CV) *(Down Only)*



Bottom View



Side View