

Date: _____
 Type: _____
 Fixture: _____
 Project: _____

Approved: _____

FCCSQ600 Six-Inch Square Wall, Pendant, or Surface-Mount, Exterior Cylinder

Downward Lighting with Remote Drivers and Battery Backup



FEATURES

- Up to 5000 lumens (4000K)
- Multiple mounting options
- Clear lens with anti-glare tempered glass (IK09)
- The Soft Field Lens option provides diffusion, reduces glare, and enhances visual comfort.
- Multiple housing colors
- 0-10V 1% Dimming (Standard)
- 93 CRI with 2 SDCM

PERFORMANCE

Beam Spread: 15°, 25°, 40°, 50°, 72°
CCT Options: 2700K, 3000K, 3500K, 4000K
CRI: 93 CRI
Consistency: 2 SDCM (Luminaire to Luminaire)
Lumens: 500 - 5000 lumens (nominal)
Lumen Maintenance: L70 >70,000 hours

PHYSICAL

Mounting: Mounts directly to standard recessed junction box with wall mount or twist-lock canopy. Additional holes allow unit to be attached directly to mounting surface. Not intended for open ceilings or surface mount conduit j-box applications. Recessed j-box must be flush with finished wall or ceiling surface.

Housing: Heavy-walled, extruded aluminum housing with high pressure die-cast lens ring and cap with stainless steel hardware.

Finish: Available in Black, Bronze, Graphite Grey, Silver, White and Custom Colors. Six stage chemical iron phosphate conversion pre-treatment. Polyester powder coat finish, 18 µm Min., 5,000 hour salt spray test (ASTM B117) compliant with Florida / AAMA 2604 specification.

Warranty: 5-Year limited warranty

Lens: IK09 impact compliant, clear anti-glare tempered glass

Ingress Protection: Continuous silicone gasket to seal out contaminants, IP65 rated for dry, damp or wet locations. SF option rated IP65 for cover ceiling application only.

Weight: 8-12 lbs (Depending on Length)

Operating Temperature: -22°F to 122°F (-30°C to 50°C)

ELECTRICAL

Voltage: Universal 120 - 277 VAC standard, 347 VAC optional

Power Supply: Integral Class II, electronic high-power factor >.90, THD < 20%, FCC Title 47 Part 15 Class A.

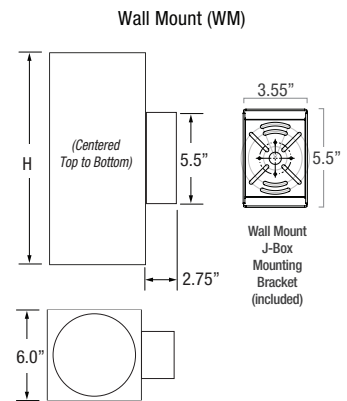
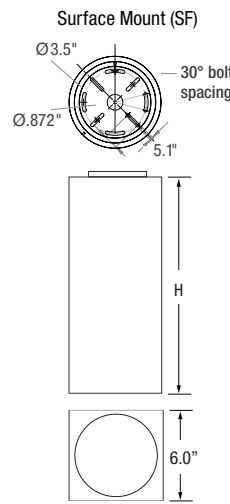
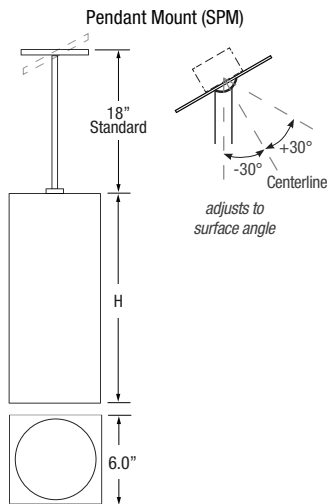
Power Consumption: Maximum 60W

Dimming: Standard: 0-10V, 1%, **Optional:** ELV, TRIAC, dim to off

- Standards:**
- cETLus Listed, CE, NOM, and RoHS Compliant.
 - Wet location listed for wall or ceiling mount IP65 Ingress protection.
 - IK09 (IEC6226) Impact resistance rated.
 - IESNA LM79 Photometric testing by NVLAP accredited test lab.
 - IESNA LM80 LED testing by NVLAP accredited test lab.
 - IESNA TM21 Luminaire lumen depreciation projection to >70,000 hours.

PHYSICAL DIMENSIONS

Luminaire	Height
FCC600R-10	10.95" Height
FCC600R-12	12.95" Height
FCC600R-14	14.95" Height
FCC600R-16	16.95" Height
FCC600R-18	18.95" Height
FCC600R-20	20.95" Height



Date: _____
 Type: _____
 Fixture: _____
 Project: _____

Approved: _____

FCCSQ600 Six-Inch Square Exterior Cylinder

PRODUCT CODE

EXAMPLE: FCCSQ600R-10-SPM-18-UNV-927-05L-BKE-15-ET-CV

MODEL	HEIGHT	MOUNTING	SUSP. LENGTH	VOLTAGE	COLOR	LUMENS	FINISH	OPTIC	DIMMING	OPTIONS	BATTERY
FCCSQ600R											

MODEL
 FCCSQ600R

HEIGHT

10	10.95" Height
12	12.95" Height
14	14.95" Height
16	16.95" Height
18	18.95" Height
20	20.95" Height

MOUNTING

SPM	Slope Pendant
SF	Surface
WM	Wall

SPM LENGTH

Specify the optional suspension length in inches. (Top of luminaire to ceiling) (SPM 18" Standard, 4"-120" Max; 61"-120" w/LD & ET Only and stem comes in 2 sections) *Consult factory & price guide for other lengths.

VOLTAGE

UNV	Universal 120 - 277 VAC
347V	347 VAC

COLOR

927	(93CRI) 2700K
930	(93CRI) 3000K
935	(93CRI) 3500K
940	(93CRI) 4000K

LUMENS nominal

05L	500 lm
10L	1000 lm
15L	1500 lm
20L	2297 lm
25L	2500 lm
30L	3000 lm
35L	3500 lm
40L	4000 lm
45L	4500 lm
50L	5000 lm

FINISH

BKE	Black
BRE	Bronze
GRE	Graphite Grey
SLE	Silver
WHE	White
CCE	Custom Color

OPTIC nominal

15	Spot (15°)
25	Narrow Flood (25°)
40	Mid Flood (40°)
50	Flood (50°)
72	Wide Flood (72°)

w/SOFT FIELD

15S	Spot (15°)
25S	Narrow Flood (25°)
40S	Mid Flood (40°)
50S	Flood (50°)
72S	Wide Flood (72°)

DIMMING

ET	ELV or TRIAC Driver (20L-45L Only) (120V Phase Dimming w/ UNV Driver)
LD	0-10V Dimming, 1% (Standard)

*All drivers listed above are remote.

OPTIONS

CV	Cut-Off Visor
-----------	---------------

BATTERY

BBUR	BATTERY BACK-UP & LED DRIVER REMOTE (INDOOR), IP20, IK08, NEMA 1, 0°C to +48°C, 30' MAX Distance with 12AWG (w/UNV Option Only)
BBUX	BATTERY BACK-UP & LED DRIVER REMOTE (OUTDOOR), IP67, IK10, NEMA 4X, -20°C to +55°C, 30' MAX Distance with 12AWG (w/UNV Voltage Option Only)

FCCSQ600 Six-Inch Square Exterior Cylinder

LUMENS / WATTAGE nominal

Model	Watts	940
FCCSQ600R	60 W (Max)	500 lm (Min) 5000 lm (Max)

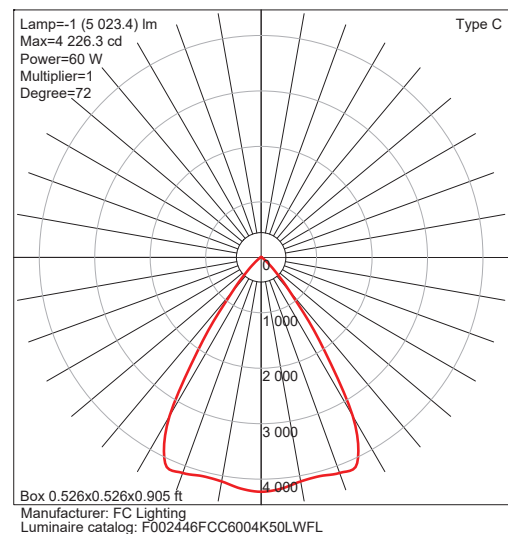
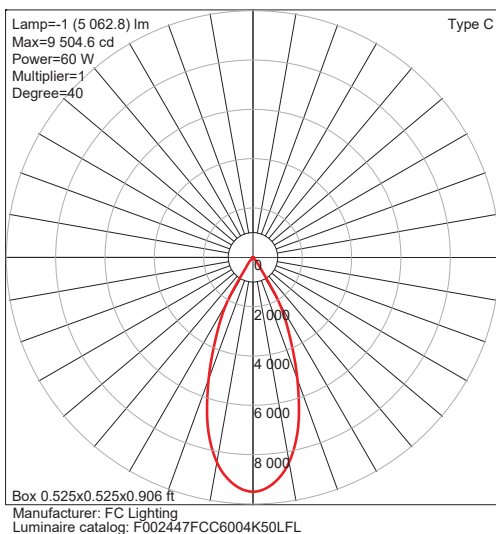
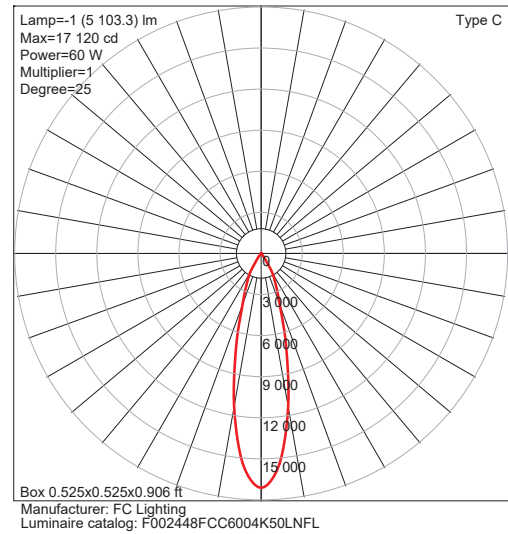
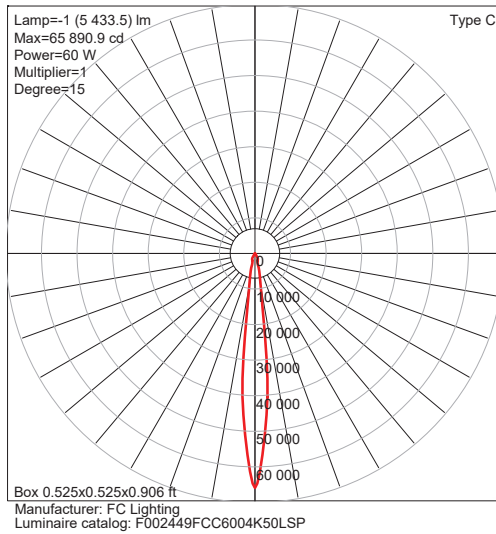
IES Multiplier	
Color	Multiplier
927	0.93
930	0.97
935	0.99
940	1.00

*83CRI±1.15 Consult factory.

TRIAC & ELV Approved Dimmer List	
Manufacturer	Manufacturer Part Number
Lutron	Glyder GLV-600
	Diva DVLV-600P
	Diva DV-600P
	Diva DVELV-600P(303)
	Maestro MALV-600
	Nova T NT-1000
	Nova T NTELV-600
	Skylark SLV-600P
Leviton	RadioRA2-10ND
	SureSlide 6633 Illumatech IPE04

0-10V Approved Dimmer List	
Manufacturer	Manufacturer Part Number
Lutron	Diva DVSTV-XX
	Diva DVSTV-453PH-WH1
Leviton	Illumatech 010-IP710-DLZ

PHOTOMETRICS

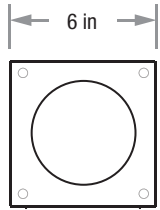


Due to continuous development and improvements, specifications are subject to change without notice. Product use certifies agreement to FC Lighting, Inc. terms and conditions.

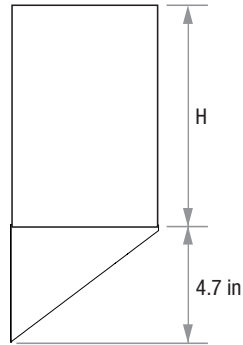
FCCSQ600 Six-Inch Square Exterior Cylinder

MORE DIMENSIONS

Cut-Off Visor (CV)



Bottom View

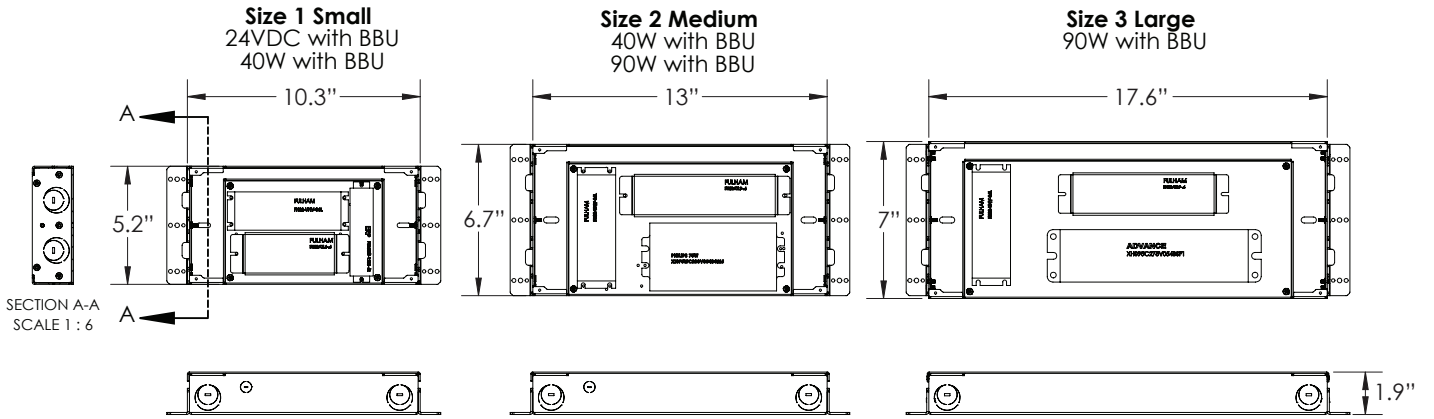


Side View

FCCSQ600 Six-Inch Square Exterior Cylinder

BATTERY BACK-UPS

BBUR - BATTERY BACK-UP & LED DRIVER REMOTE (INDOOR), IP20, IK08, NEMA 1, 0°C to +48°C, 30' MAX Distance with 12AWG (w/UNV Option Only)



BBUX - BATTERY BACK-UP & LED DRIVER REMOTE (OUTDOOR), IP67, IK10, NEMA 4X, -20°C to +55°C, 30' MAX Distance with 12AWG (w/UNV Option Only)

