

# FCCSQ600 Six-Inch Square Wall, Pendant, or Surface-Mount, Exterior Cylinder

Downward Lighting – Standard Drivers without Battery Backup



## FEATURES

- Up to 5000 lumens (4000K)
- Multiple mounting options
- Clear lens with anti-glare tempered glass (IK09)
- The Soft Field Lens option provides diffusion, reduces glare, and enhances visual comfort.
- Multiple housing colors
- 0-10V 1% Dimming (Standard)
- 93 CRI with 2 SDCM

## PERFORMANCE

**Beam Spread:** 15°, 25°, 40°, 50°, 72°  
**CCT Options:** 2700K, 3000K, 3500K, 4000K  
**CRI:** 93 CRI  
**Consistency:** 2 SDCM (Luminaire to Luminaire)  
**Lumens:** 500 - 5000 lumens (nominal)  
**Lumen Maintenance:** L70 >70,000 hours

## PHYSICAL

**Mounting:** Mounts directly to standard recessed junction box with wall mount or twist-lock canopy. Additional holes allow unit to be attached directly to mounting surface. Not intended for open ceilings or surface mount conduit j-box applications. Recessed j-box must be flush with finished wall or ceiling surface.

**Housing:** Heavy-walled, extruded aluminum housing with high pressure die-cast lens ring and cap with stainless steel hardware.

**Finish:** Available in Black, Bronze, Graphite Grey, Silver, White and Custom Colors. Six stage chemical iron phosphate conversion pre-treatment. Polyester powder coat finish, 18 µm Min., 5,000 hour salt spray test (ASTM B117) compliant with Florida / AAMA 2604 specification.

**Warranty:** 5-Year limited warranty

**Lens:** IK09 impact compliant, clear anti-glare tempered glass

**Ingress Protection:** Continuous silicone gasket to seal out contaminants, IP65 rated for dry, damp or wet locations. SF option rated IP65 for cover ceiling application only.

**Weight:** 8-12 lbs (Depending on Length)

**Operating Temperature:** -22°F to 122°F (-30°C to 50°C)

## ELECTRICAL

**Voltage:** Universal 120 - 277 VAC standard, 347 VAC optional

**Power Supply:** Integral Class II, electronic high-power factor >.90, THD < 20%, FCC Title 47 Part 15 Class A.

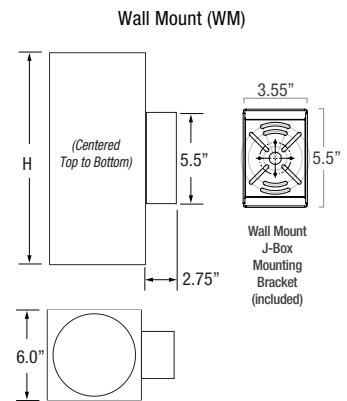
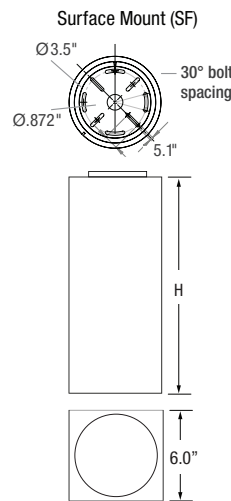
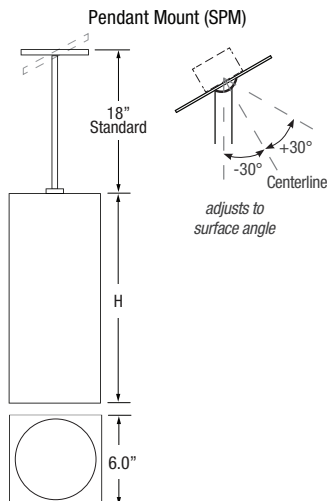
**Power Consumption:** Maximum 60W

**Dimming: Standard:** 0-10V, 1% Dimming, **Optional:** ELV, TRIAC, dim to off  
**Standards:**

- cETLus Listed, CE, NOM, and RoHS Compliant.
- Wet location listed for wall or ceiling mount IP65 Ingress protection.
- IK09 (IEC6226) Impact resistance rated.
- IESNA LM79 Photometric testing by NVLAP accredited test lab.
- IESNA LM80 LED testing by NVLAP accredited test lab.
- IESNA TM21 Luminaire lumen depreciation projection to >70,000 hours.

## PHYSICAL DIMENSIONS

Luminaire	Height
FCC600-10	10.95" Height
FCC600-12	12.95" Height
FCC600-14	14.95" Height
FCC600-16	16.95" Height
FCC600-18	18.95" Height
FCC600-20	20.95" Height



Date: \_\_\_\_\_  
 Type: \_\_\_\_\_  
 Fixture: \_\_\_\_\_  
 Project: \_\_\_\_\_

Approved: \_\_\_\_\_

# FCCSQ600 Six-Inch Square Exterior Cylinder

## PRODUCT CODE

EXAMPLE: FCCSQ600-10-SPM-18-UNV-927-05L-BKE-15-ET-CV

MODEL	HEIGHT	MOUNTING	SUSP. LENGTH	VOLTAGE	COLOR	LUMENS	FINISH	OPTIC	DIMMING	OPTIONS
FCCSQ600										

**MODEL**  
 FCCSQ600

**HEIGHT**

10	10.95" Height
12	12.95" Height
14	14.95" Height
16	16.95" Height
18	18.95" Height
20	20.95" Height

**MOUNTING**

<b>SPM</b>	Slope Pendant
<b>SF</b>	Surface
<b>WM</b>	Wall

**SPM LENGTH**

Specify the optional suspension length in inches. (Top of luminaire to ceiling) (SPM 18" Standard, 4"-120" Max; 61"-120" w/LD & ET Only and stem comes in 2 sections) \*Consult factory & price guide for other lengths.

**VOLTAGE**

<b>UNV</b>	Universal 120 - 277 VAC
<b>347V</b>	347 VAC

**COLOR**

<b>927</b>	(93CRI) 2700K
<b>930</b>	(93CRI) 3000K
<b>935</b>	(93CRI) 3500K
<b>940</b>	(93CRI) 4000K

**LUMENS nominal**

<b>05L</b>	500 lm
<b>10L</b>	1000 lm
<b>15L</b>	1500 lm
<b>20L</b>	2297 lm
<b>25L</b>	2500 lm
<b>30L</b>	3000 lm
<b>35L</b>	3500 lm
<b>40L</b>	4000 lm
<b>45L</b>	4500 lm (14" H Minimum)
<b>50L</b>	5000 lm (14" H Minimum)

**FINISH**

<b>BKE</b>	Black
<b>BRE</b>	Bronze
<b>GRE</b>	Graphite Grey
<b>SLE</b>	Silver
<b>WHE</b>	White
<b>CCE</b>	Custom Color

**OPTIC nominal**

<b>15</b>	Spot (15°)
<b>25</b>	Narrow Flood (25°)
<b>40</b>	Mid Flood (40°)
<b>50</b>	Flood (50°)
<b>72</b>	Wide Flood (72°)

**w/SOFT FIELD**

<b>15S</b>	Spot (15°)
<b>25S</b>	Narrow Flood (25°)
<b>40S</b>	Mid Flood (40°)
<b>50S</b>	Flood (50°)
<b>72S</b>	Wide Flood (72°)

**DIMMING**

<b>ET</b>	ELV or TRIAC Driver (20L-45L Only) (120V Phase Dimming w/ UNV Driver)
<b>LD</b>	0-10V Dimming, 1% (Standard)

**OPTIONS**

<b>CV</b>	Cut-Off Visor
-----------	---------------

# FCCSQ600 Six-Inch Square Exterior Cylinder

## LUMENS / WATTAGE nominal

Model	Watts	940
FCCSQ600	60 W (Max)	500 lm (Min) 5000 lm (Max)

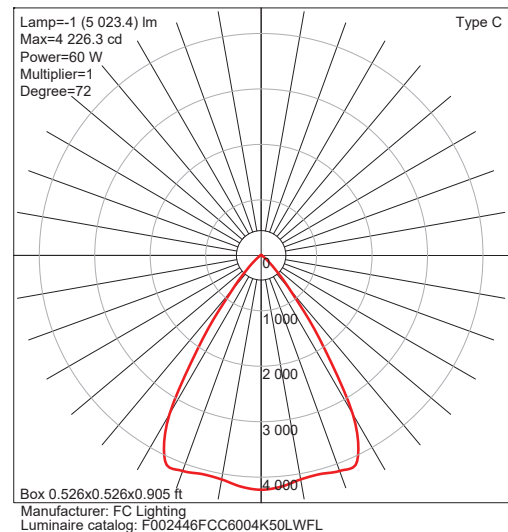
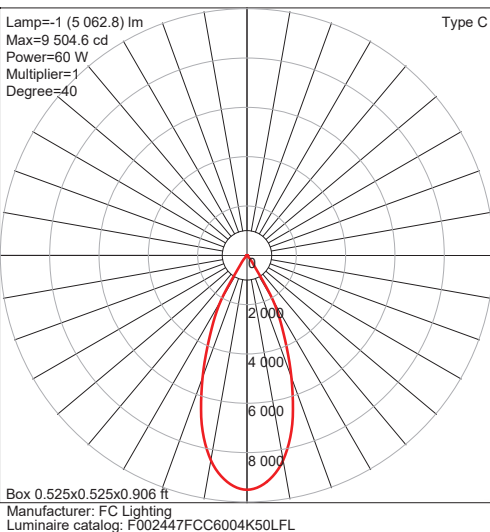
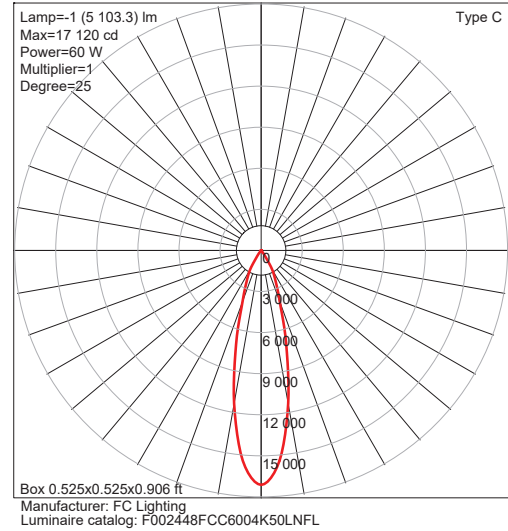
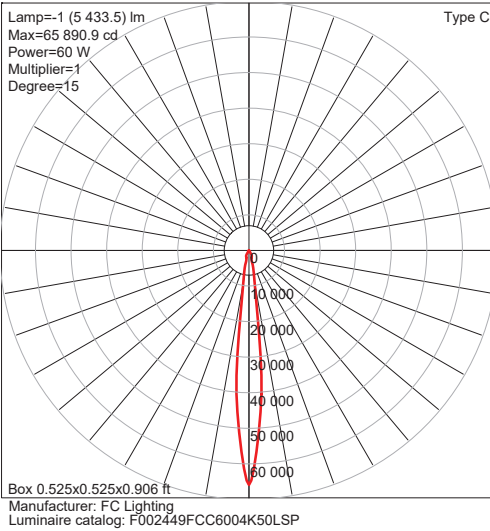
IES Multiplier	
Color	Multiplier
927	0.93
930	0.97
935	0.99
940	1.00

\*83CRI±1.15 Consult factory.

TRIAC & ELV Approved Dimmer List	
Manufacturer	Manufacturer Part Number
Lutron	Glyder GLV-600
	Diva DVLV-600P
	Diva DV-600P
	Diva DVELV-600P(303)
	Maestro MALV-600
	Nova T NT-1000
	Nova T NTELV-600
Leviton	SureSlide 6633
	Illumatech IPE04

0-10V Approved Dimmer List	
Manufacturer	Manufacturer Part Number
Lutron	Diva DVSTV-XX
	Diva DVSTV-453PH-WH1
Leviton	Illumatech 010-IP710-DLZ

## PHOTOMETRICS

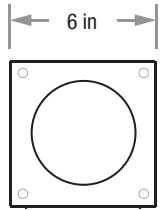


Due to continuous development and improvements, specifications are subject to change without notice.  
Product use certifies agreement to FC Lighting, Inc. terms and conditions.

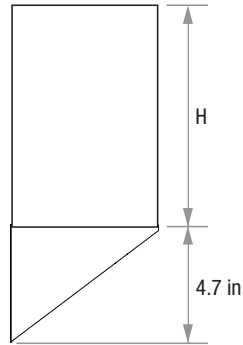
# FCCSQ600 Six-Inch Square Exterior Cylinder

## MORE DIMENSIONS

Cut-Off Visor (CV)



Bottom View



Side View