

Date: \_\_\_\_\_  
 Type: \_\_\_\_\_  
 Fixture: \_\_\_\_\_  
 Project: \_\_\_\_\_

Approved: \_\_\_\_\_

# FCCSQ600 Six-Inch Square Wall Mount Exterior Cylinder

Up/Down or Up Lighting – Standard Drivers without Battery Backup



## FEATURES

- Up to 5000 lumens (4000K)
- Multiple mounting options
- Clear lens with anti-glare tempered glass (IK09)
- The Soft Field Lens option provides diffusion, reduces glare, and enhances visual comfort.
- Multiple housing colors
- 0-10V 1% Dimming (Standard)
- 93 CRI with 2 SDCM

## PERFORMANCE

**Beam Spread:** 15°, 25°, 40°, 50°, 72°  
**CCT Options:** 2700K, 3000K, 3500K, 4000K  
**CRI:** 93 CRI  
**Consistency:** 2 SDCM (Luminaire to Luminaire)  
**Lumens:** 500 - 5000 lumens (nominal)  
**Lumen Maintenance:** L70 >70,000 hours

## PHYSICAL

**Mounting:** Mounts directly to standard recessed junction box with wall mount or twist-lock canopy. Additional holes allow unit to be attached directly to mounting surface.

**Housing:** Heavy-walled, extruded aluminum housing with high pressure die-cast lens ring and cap with stainless steel hardware.

**Finish:** Available in Black, Bronze, Graphite Grey, Silver, White and Custom Colors. Six stage chemical iron phosphate conversion pre-treatment. Polyester powder coat finish, 18 µm Min., 5,000 hour salt spray test (ASTM B117) compliant with Florida / AAMA 2604 specification.

**Warranty:** 5-Year limited warranty

**Lens:** IK09 impact compliant, clear anti-glare tempered glass

**Ingress Protection:** Continuous silicone gasket to seal out contaminants, IP65 rated for dry, damp or wet locations.

**Weight:** 8-12 lbs (Depending on Length)

**Operating Temperature:** -22°F to 122°F (-30°C to 50°C)

## ELECTRICAL

**Voltage:** Universal 120 - 277 VAC standard, 347 VAC optional

**Power Supply:** Integral Class II, electronic high-power factor >.90, THD < 20%, FCC Title 47 Part 15 Class A.

**Power Consumption:** Maximum 53W

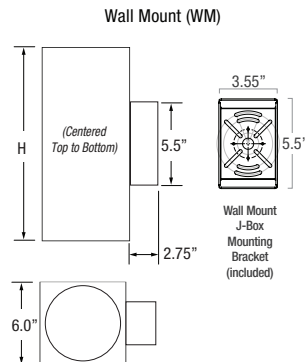
**Dimming:** Standard: 0-10V, 1% Dimming, **Optional:** ELV, TRIAC, dim to off

**Standards:**

- cETLus Listed, CE, NOM, and RoHS Compliant.
- Wet location listed for wall or ceiling mount IP65 Ingress protection.
- IK09 (IEC6226) Impact resistance rated.
- IESNA LM79 Photometric testing by NVLAP accredited test lab.
- IESNA LM80 LED testing by NVLAP accredited test lab.
- IESNA TM21 Luminaire lumen depreciation projection to >70,000 hours.

## PHYSICAL DIMENSIONS

Luminaire	Height
FCCSQ610W	10.95" Height (1 Integral Driver Only)
FCCSQ612W	12.95" Height (1 Integral Driver Only)
FCCSQ614W	14.95" Height (1 Integral Driver Only)
FCCSQ616W	16.95" Height (1 Integral Driver Only)
FCCSQ618W	18.95" Height
FCCSQ620W	20.95" Height
	(All above are Wall Mount Standard)



Date: \_\_\_\_\_  
 Type: \_\_\_\_\_  
 Fixture: \_\_\_\_\_  
 Project: \_\_\_\_\_

Approved: \_\_\_\_\_

# FCCSQ600 Six-Inch Square Wall Mount Exterior Cylinder

## PRODUCT CODE

EXAMPLE: FCCSQ610W-UNV-927-505L-BKE-D15U15-ET

MODEL	LENGTH	MOUNTING	VOLTAGE	COLOR	LUMENS	FINISH	DOWN OPTICS	UP OPTICS	DIMMING	OPTIONS																																																																																				
<div style="display: flex; justify-content: space-between; border: 1px solid black; padding: 5px;"> <span style="border: 1px solid black; width: 15%; height: 30px;"></span> <span style="border: 1px solid black; width: 15%; height: 30px;"></span> <span style="border: 1px solid black; width: 15%; height: 30px;"></span> <span style="border: 1px solid black; width: 15%; height: 30px;"></span> <span style="border: 1px solid black; width: 15%; height: 30px;"></span> <span style="border: 1px solid black; width: 15%; height: 30px;"></span> <span style="border: 1px solid black; width: 15%; height: 30px;"></span> <span style="border: 1px solid black; width: 15%; height: 30px;"></span> <span style="border: 1px solid black; width: 15%; height: 30px;"></span> <span style="border: 1px solid black; width: 15%; height: 30px;"></span> </div>																																																																																														
<div style="display: flex; justify-content: space-between;"> <div style="width: 25%;"> <h3>MODEL</h3> <table border="0"> <tr> <td><b>FCCSQ610W</b></td> <td>10.95" Height (1 Integral Driver Only)</td> </tr> <tr> <td><b>FCCSQ612W</b></td> <td>12.95" Height (1 Integral Driver Only)</td> </tr> <tr> <td><b>FCCSQ614W</b></td> <td>14.95" Height (1 Integral Driver Only)</td> </tr> <tr> <td><b>FCCSQ616W</b></td> <td>16.95" Height (1 Integral Driver Only)</td> </tr> <tr> <td><b>FCCSQ618W</b></td> <td>18.95" Height</td> </tr> <tr> <td><b>FCCSQ620W</b></td> <td>20.95" Height</td> </tr> </table> <p>(All above are Wall Mount Standard)</p> </div> <div style="width: 45%;"> <table border="1"> <thead> <tr> <th colspan="3">DOWN LUMENS (nominal) UP LUMENS</th> </tr> </thead> <tbody> <tr> <td>NO</td> <td>No Light Option</td> <td></td> </tr> <tr> <td>5</td> <td>500 lm</td> <td>05L</td> </tr> <tr> <td>10</td> <td>1000 lm</td> <td>10L</td> </tr> <tr> <td>15</td> <td>1500 lm</td> <td>15L</td> </tr> <tr> <td>20</td> <td>2000 lm</td> <td>20L</td> </tr> <tr> <td>25</td> <td>2500 lm</td> <td>25L</td> </tr> <tr> <td>30</td> <td>3000 lm</td> <td>30L</td> </tr> <tr> <td>35</td> <td>3500 lm</td> <td>35L</td> </tr> <tr> <td>40</td> <td>4000 lm</td> <td>40L</td> </tr> <tr> <td>45</td> <td>4500 lm</td> <td>45L</td> </tr> <tr> <td>50</td> <td>5000 lm</td> <td>50L</td> </tr> </tbody> </table> <p style="text-align: center;"><b>(50L Max Total output) (Standard Lumen Output Split 50% Up / 50% Down) (Additional driver needed for unequal output selections)</b></p> </div> <div style="width: 25%;"> <table border="1"> <thead> <tr> <th>DOWN OPTICS</th> <th>(nominal)</th> <th>UP OPTICS</th> </tr> </thead> <tbody> <tr> <td><b>D15</b></td> <td>Spot (15°) (15L Max)</td> <td><b>U15</b></td> </tr> <tr> <td><b>D25</b></td> <td>Narrow Flood (25°)</td> <td><b>U25</b></td> </tr> <tr> <td><b>D40</b></td> <td>Mid Flood (40°)</td> <td><b>U40</b></td> </tr> <tr> <td><b>D50</b></td> <td>Flood (50°)</td> <td><b>U50</b></td> </tr> <tr> <td><b>D72</b></td> <td>Wide Flood (72°)</td> <td><b>U72</b></td> </tr> </tbody> </table>   <table border="1"> <thead> <tr> <th colspan="3">WITH SOFT FIELD LENS</th> </tr> </thead> <tbody> <tr> <td><b>D15S</b></td> <td>Spot (15°) (15L Max)</td> <td><b>U15S</b></td> </tr> <tr> <td><b>D25S</b></td> <td>Narrow Flood (25°)</td> <td><b>U25S</b></td> </tr> <tr> <td><b>D40S</b></td> <td>Mid Flood (40°)</td> <td><b>U40S</b></td> </tr> <tr> <td><b>D50S</b></td> <td>Flood (50°)</td> <td><b>U50S</b></td> </tr> <tr> <td><b>D72S</b></td> <td>Wide Flood (72°)</td> <td><b>U72S</b></td> </tr> </tbody> </table> </div> </div>											<b>FCCSQ610W</b>	10.95" Height (1 Integral Driver Only)	<b>FCCSQ612W</b>	12.95" Height (1 Integral Driver Only)	<b>FCCSQ614W</b>	14.95" Height (1 Integral Driver Only)	<b>FCCSQ616W</b>	16.95" Height (1 Integral Driver Only)	<b>FCCSQ618W</b>	18.95" Height	<b>FCCSQ620W</b>	20.95" Height	DOWN LUMENS (nominal) UP LUMENS			NO	No Light Option		5	500 lm	05L	10	1000 lm	10L	15	1500 lm	15L	20	2000 lm	20L	25	2500 lm	25L	30	3000 lm	30L	35	3500 lm	35L	40	4000 lm	40L	45	4500 lm	45L	50	5000 lm	50L	DOWN OPTICS	(nominal)	UP OPTICS	<b>D15</b>	Spot (15°) (15L Max)	<b>U15</b>	<b>D25</b>	Narrow Flood (25°)	<b>U25</b>	<b>D40</b>	Mid Flood (40°)	<b>U40</b>	<b>D50</b>	Flood (50°)	<b>U50</b>	<b>D72</b>	Wide Flood (72°)	<b>U72</b>	WITH SOFT FIELD LENS			<b>D15S</b>	Spot (15°) (15L Max)	<b>U15S</b>	<b>D25S</b>	Narrow Flood (25°)	<b>U25S</b>	<b>D40S</b>	Mid Flood (40°)	<b>U40S</b>	<b>D50S</b>	Flood (50°)	<b>U50S</b>	<b>D72S</b>	Wide Flood (72°)	<b>U72S</b>
<b>FCCSQ610W</b>	10.95" Height (1 Integral Driver Only)																																																																																													
<b>FCCSQ612W</b>	12.95" Height (1 Integral Driver Only)																																																																																													
<b>FCCSQ614W</b>	14.95" Height (1 Integral Driver Only)																																																																																													
<b>FCCSQ616W</b>	16.95" Height (1 Integral Driver Only)																																																																																													
<b>FCCSQ618W</b>	18.95" Height																																																																																													
<b>FCCSQ620W</b>	20.95" Height																																																																																													
DOWN LUMENS (nominal) UP LUMENS																																																																																														
NO	No Light Option																																																																																													
5	500 lm	05L																																																																																												
10	1000 lm	10L																																																																																												
15	1500 lm	15L																																																																																												
20	2000 lm	20L																																																																																												
25	2500 lm	25L																																																																																												
30	3000 lm	30L																																																																																												
35	3500 lm	35L																																																																																												
40	4000 lm	40L																																																																																												
45	4500 lm	45L																																																																																												
50	5000 lm	50L																																																																																												
DOWN OPTICS	(nominal)	UP OPTICS																																																																																												
<b>D15</b>	Spot (15°) (15L Max)	<b>U15</b>																																																																																												
<b>D25</b>	Narrow Flood (25°)	<b>U25</b>																																																																																												
<b>D40</b>	Mid Flood (40°)	<b>U40</b>																																																																																												
<b>D50</b>	Flood (50°)	<b>U50</b>																																																																																												
<b>D72</b>	Wide Flood (72°)	<b>U72</b>																																																																																												
WITH SOFT FIELD LENS																																																																																														
<b>D15S</b>	Spot (15°) (15L Max)	<b>U15S</b>																																																																																												
<b>D25S</b>	Narrow Flood (25°)	<b>U25S</b>																																																																																												
<b>D40S</b>	Mid Flood (40°)	<b>U40S</b>																																																																																												
<b>D50S</b>	Flood (50°)	<b>U50S</b>																																																																																												
<b>D72S</b>	Wide Flood (72°)	<b>U72S</b>																																																																																												
<h3>VOLTAGE</h3> <table border="0"> <tr> <td><b>UNV</b></td> <td>Universal 120 - 277 VAC</td> </tr> <tr> <td><b>347V</b></td> <td>347 VAC</td> </tr> </table>											<b>UNV</b>	Universal 120 - 277 VAC	<b>347V</b>	347 VAC																																																																																
<b>UNV</b>	Universal 120 - 277 VAC																																																																																													
<b>347V</b>	347 VAC																																																																																													
<h3>COLOR</h3> <table border="0"> <tr> <td><b>927</b></td> <td>(93CRI) 2700K</td> </tr> <tr> <td><b>930</b></td> <td>(93CRI) 3000K</td> </tr> <tr> <td><b>935</b></td> <td>(93CRI) 3500K</td> </tr> <tr> <td><b>940</b></td> <td>(93CRI) 4000K</td> </tr> </table>											<b>927</b>	(93CRI) 2700K	<b>930</b>	(93CRI) 3000K	<b>935</b>	(93CRI) 3500K	<b>940</b>	(93CRI) 4000K																																																																												
<b>927</b>	(93CRI) 2700K																																																																																													
<b>930</b>	(93CRI) 3000K																																																																																													
<b>935</b>	(93CRI) 3500K																																																																																													
<b>940</b>	(93CRI) 4000K																																																																																													
<h3>FINISH</h3> <table border="0"> <tr> <td><b>BKE</b></td> <td>Black</td> </tr> <tr> <td><b>BRE</b></td> <td>Bronze</td> </tr> <tr> <td><b>GRE</b></td> <td>Graphite Grey</td> </tr> <tr> <td><b>SLE</b></td> <td>Silver</td> </tr> <tr> <td><b>WHE</b></td> <td>White</td> </tr> <tr> <td><b>CCE</b></td> <td>Custom Color</td> </tr> </table>											<b>BKE</b>	Black	<b>BRE</b>	Bronze	<b>GRE</b>	Graphite Grey	<b>SLE</b>	Silver	<b>WHE</b>	White	<b>CCE</b>	Custom Color																																																																								
<b>BKE</b>	Black																																																																																													
<b>BRE</b>	Bronze																																																																																													
<b>GRE</b>	Graphite Grey																																																																																													
<b>SLE</b>	Silver																																																																																													
<b>WHE</b>	White																																																																																													
<b>CCE</b>	Custom Color																																																																																													
<h3>DIMMING</h3> <table border="0"> <tr> <td><b>ET</b></td> <td>Single ELV / TRIAC Driver (120V Phase Dimming w/ UNV Driver) (20L-45L Only)</td> </tr> <tr> <td><b>LD</b></td> <td>Single 0-10V Dimming, 1% Driver</td> </tr> <tr> <td><b>ET2</b></td> <td>Dual ELV / TRIAC Drivers (120V Phase Dimming w/ UNV Drivers) (20L-45L Only)</td> </tr> <tr> <td><b>LD2</b></td> <td>Dual 0-10V Dimming, 1% Drivers</td> </tr> </table> <p style="text-align: center;"><b>*ET2 or LD2 required to be selected when the 2 drivers option is selected</b></p>											<b>ET</b>	Single ELV / TRIAC Driver (120V Phase Dimming w/ UNV Driver) (20L-45L Only)	<b>LD</b>	Single 0-10V Dimming, 1% Driver	<b>ET2</b>	Dual ELV / TRIAC Drivers (120V Phase Dimming w/ UNV Drivers) (20L-45L Only)	<b>LD2</b>	Dual 0-10V Dimming, 1% Drivers																																																																												
<b>ET</b>	Single ELV / TRIAC Driver (120V Phase Dimming w/ UNV Driver) (20L-45L Only)																																																																																													
<b>LD</b>	Single 0-10V Dimming, 1% Driver																																																																																													
<b>ET2</b>	Dual ELV / TRIAC Drivers (120V Phase Dimming w/ UNV Drivers) (20L-45L Only)																																																																																													
<b>LD2</b>	Dual 0-10V Dimming, 1% Drivers																																																																																													
<h3>OPTIONS</h3> <table border="0"> <tr> <td><b>CV</b></td> <td>Cut-Off Visor</td> </tr> </table>											<b>CV</b>	Cut-Off Visor																																																																																		
<b>CV</b>	Cut-Off Visor																																																																																													

Due to continuous development and improvements, specifications are subject to change without notice. Product use certifies agreement to FC Lighting, Inc. terms and conditions.

# FCCSQ600 Six-Inch Square Wall Mount Exterior Cylinder

## LUMENS / WATTAGE nominal

Model	Watts	940
FCCSQ6	5W (Min)	500 lm (Min)
	53W (Max)	5000 lm (Max)

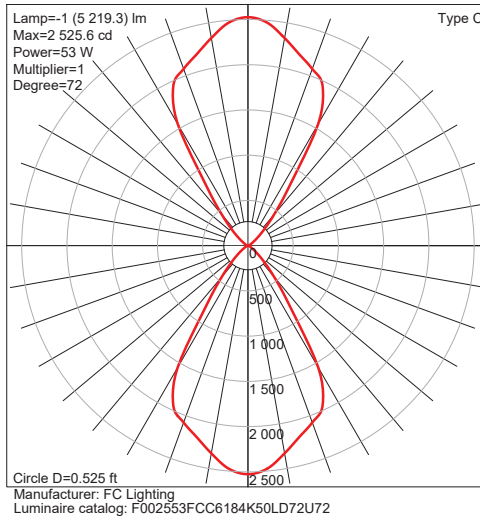
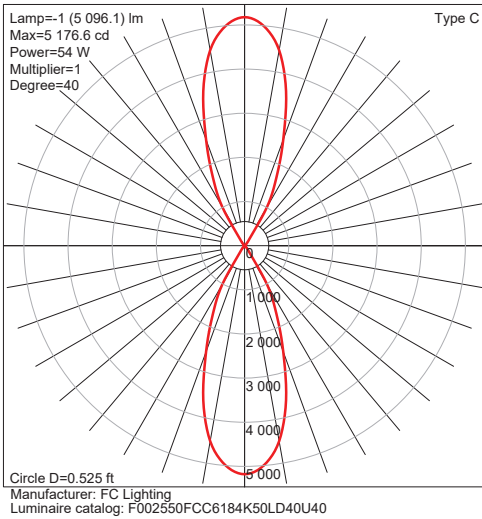
IES Multiplier	
Color	Multiplier
927	0.93
930	0.97
935	0.99
940	1.00

\*83CRI@1.15 Consult factory.

TRIAC & ELV Approved Dimmer List	
Manufacturer	Manufacturer Part Number
Lutron	Glyder GLV-600
	Diva DVLV-600P
	Diva DV-600P
	Diva DVELV-600P(303)
	Maestro MALV-600
	Nova T NT-1000
	Nova T NTELV-600
Leviton	Skylark SLV-600P
	RadioRA2-10ND
	SureSlide 6633
	Illumatech IPE04

0-10V Approved Dimmer List	
Manufacturer	Manufacturer Part Number
Lutron	Diva DVSTV-XX
	Diva DVSTV-453PH-WH1
Leviton	Illumatech 010-IP710-DLZ

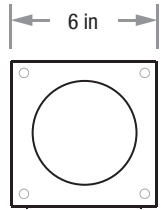
## PHOTOMETRICS



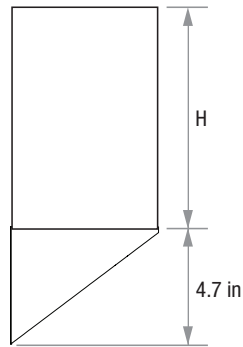
# FCCSQ600 Six-Inch Square Wall Mount Exterior Cylinder

## MORE DIMENSIONS

Cut-Off Visor (CV)



Bottom View



Side View