

Date: \_\_\_\_\_  
 Type: \_\_\_\_\_  
 Fixture: \_\_\_\_\_  
 Project: \_\_\_\_\_

Approved: \_\_\_\_\_

# FCCSQ6GA without Battery Backup

6" Square gimbal ring wall, pendant or surface mount down cylinder outdoor



## FEATURES

- Up to 4000 lm @ 38 Watts, and 108 LPW
- Adjustable gimbal ring w/ 32° Tilt, 359° Rotate
- Clear anti-glare tempered glass lens (IK08)
- Multiple color Finishes with AAMA 2604
- Tri-Dim (0-10V 1% UNV, TRIAC & ELV 120V) (Standard)
- 1.5G Vibration Tested
- 93 CRI with 2 SDCM

## PERFORMANCE

**Beam Spread:** 25° | 45° | 65°  
**CCT Options:** 2700K | 3000K | 3500K | 4000K  
**CRI:** 93 CRI  
**Consistency:** 2 SDCM (Fixture to Fixture)  
**Lumens:** 2500-4000 lm  
**Lifetime:** > 70,000 hours / L70 or better

## PHYSICAL

**Mounting:** Mounts directly to standard recessed junction box with wall mount or twist-lock canopy. Additional holes allow unit to be attached directly to mounting surface. Not intended for open ceilings or surface mount conduit j-box applications. Recessed j-box must be flush with finished wall or ceiling surface.

**Ingress Protection:** Continuous silicone gasket to seal out contaminants, IP65 rated for dry, damp or wet locations. SF option rated IP65 for cover ceiling application only.

**Finish:** Six stage chemical iron phosphate conversion pre-treatment. Polyester powder coat finish, 18 µm Min., 5000hr salt spray test (ASTM B117) compliant with Florida / AAMA 2604 specification.

**Warranty:** 5-Year limited warranty (refer to website for details)

**Housing:** Heavy-walled, extruded aluminum housing with high pressure die-cast lens ring, wall mount, twist-lock canopy, swivel holder and cap with stainless steel hardware.

**Lens:** IK08 impact compliant, clear anti-glare tempered glass

**Vibration Resistance:** Compliant with 1.5G ANSI C136.31, Seismic rated AC-156

**Weight:** 8-12 lbs (Depending on Length)

**Operating Temperature:** -22°F to 122°F (-30°C to 50°C)

## ELECTRICAL

**Voltage:** Universal 120-277V AC standard, 347V optional

**Power Supply:** Integral Class II, electronic high-power factor >.90, THD < 20%, FCC Title 47 Part 15 Class A

**Power Consumption:** Up to 4000 lm @ 38 Watts

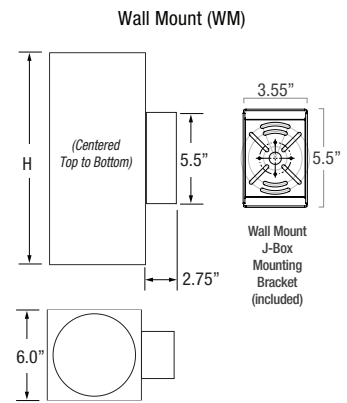
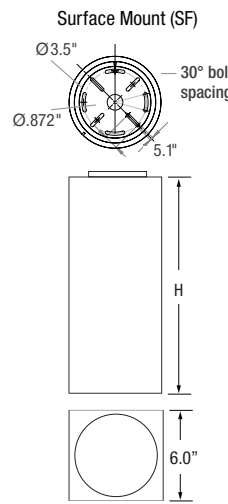
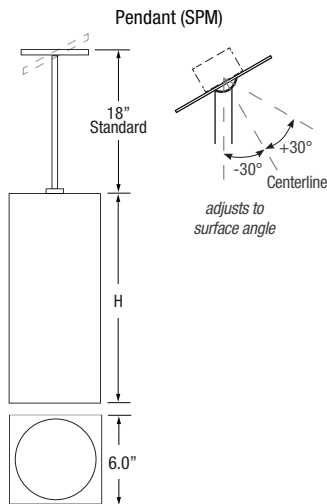
**Dimming: Standard:** Tri-Dim includes 0-10V, 1%, TRIAC and ELV Dimming

**Certification:** CEC Title 24 - JAB Compliant (93 CRI Only)

**Standards:** cETLus Listed, CE, NOM, and RoHS Compliant. Wet location listed for wall or ceiling mount IP65 Ingress protection. 1.5G (ANSI C136.31) Vibration resistance rated. IK08 (IEC6226) Impact resistance rated. IESNA LM79 Photometric testing by NVLAP accredited test lab. IESNA LM80 LED testing by NVLAP accredited test lab. IESNA TM21 Luminaire lumen depreciation projection to >70,000hrs.

## PHYSICAL DIMENSIONS

Fixture	Length (H)
FCCSQ6GA-10	10.95" Height
FCCSQ6GA-12	12.95" Height
FCCSQ6GA-14	14.95" Height
FCCSQ6GA-16	16.95" Height
FCCSQ6GA-18	18.95" Height
FCCSQ6GA-20	20.95" Height



Date: \_\_\_\_\_

Type: \_\_\_\_\_

Fixture: \_\_\_\_\_

Project: \_\_\_\_\_

Approved: \_\_\_\_\_

# FCCSQ6GA without Battery Backup

## PRODUCT CODE

EXAMPLE: FCCSQ6GA-10-SPM-18-UNV-927-25L-BKE-25-TD-HC

MODEL	HEIGHT	MOUNTING	SUSP. LENGTH	VOLTAGE	COLOR	LUMENS	FINISH	OPTIC	DIMMING	OPTIONS
FCCSQ6GA										

**MODEL**  
FCCSQ6GA

**HEIGHT**

10	10.95" Height
12	12.95" Height
14	14.95" Height
16	16.95" Height
18	18.95" Height
20	20.95" Height

**MOUNTING**

SPM	Slope Pendant
SF	Surface
WM	Wall

**SPM LENGTH**

Specify the optional suspension length in inches. (Top of fixture to ceiling) (SPM 18" Standard, 4"-120" Max; 61"-120" w/LD & ET Only and stem comes in 2 sections) \*Consult factory & price guide for other lengths.

**VOLTAGE**

UNV	Universal 120-277 Volt AC
347V	347 Volt AC

**COLOR**

927	(93CRI) 2700K
930	(93CRI) 3000K
935	(93CRI) 3500K
940	(93CRI) 4000K

**LUMENS nominal**

25L	2500 lm @ 23W
30L	3000 lm @ 28W
35L	3500 lm @ 33W
40L	4000 lm @ 38W

**FINISH**

BKE	Black (AAMA 2604)
BRE	Bronze (AAMA 2604)
GRE	Graphite Grey (AAMA 2604)
SLE	Silver (AAMA 2604)
WHE	White (AAMA 2604)
CCE	Custom Color (AAMA 2604)

**OPTIC nominal**

25	Spot (25°)
45	Mid Spot (45°)
65	Flood (65°)

**DIMMING**

TD	Tri-Dim (0-1V 1%, TRIAC & ELV) (120V Phase Dimming w/ UNIV Driver) (Standard)
LD347	0-10V 1% (347V Only)

**OPTIONS**

HC	Honeycomb Louvre
----	------------------



# FCCSQ6GA without Battery Backup

## LUMENS nominal

Model	Watts	940
FCCSQ6GA	23 W	2500 lm
	28 W	3000 lm
	33 W	3500 lm
	38 W	4000 lm

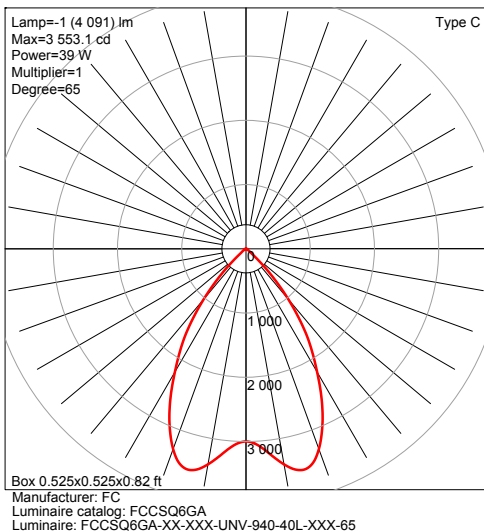
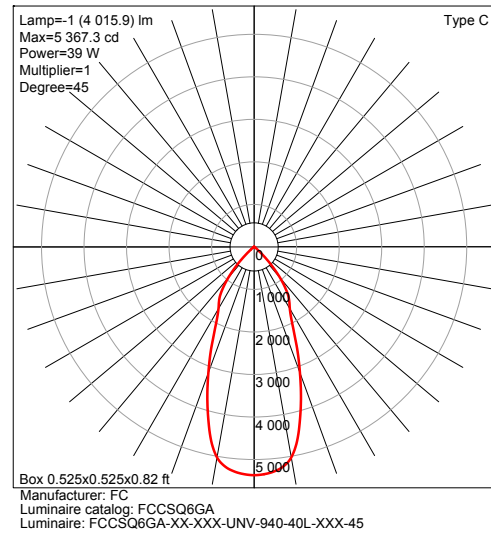
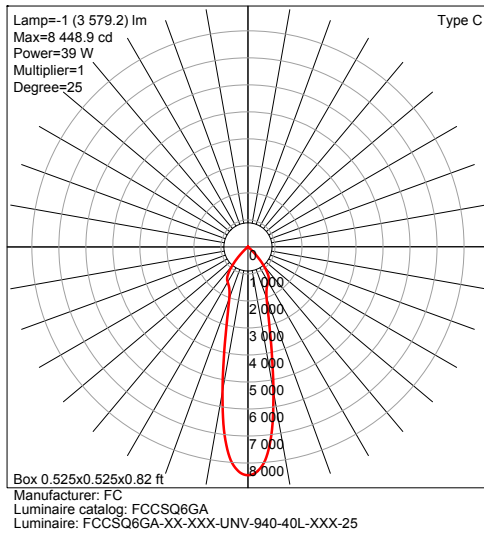
IES Multiplier	
Color	Multiplier
927	0.92
930	0.96
935	0.98
940	1.00

\*83CR1s1.15 Consult factory.

TRIAC & ELV Approved Dimmer List	
Manufacturer	Manufacturer Part Number
Lutron	Glyder GLV-600
	Diva DVLV-600P
	Diva DV-600P
	Diva DVELV-600P(303)
	Maestro MALV-600
	Nova T NT-1000
	Nova T NTELV-600
	Skylark SLV-600P
Leviton	RadioRA2-10ND
	SureSlide 6633
	Illumatech IPE04

0-10V Approved Dimmer List	
Manufacturer	Manufacturer Part Number
Lutron	Diva DVSTV-XX
	Diva DVSTV-453PH-WH1
Leviton	Illumatech 010-IP710-DLZ

## PHOTOMETRICS



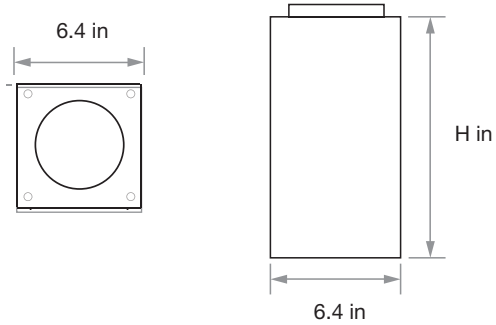
Due to continuous development and improvements, specifications are subject to change without notice. FC Lighting, Inc. reserves the right to change lab test details or specifications without notice. Product use certifies agreement to FC Lighting, Inc. terms and conditions. All stated specifications have a tolerance of +/- 7%.



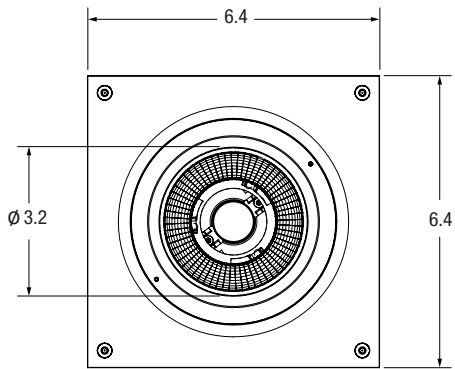
# FCCSQ6GA without Battery Backup

## MORE DIMENSIONS

H = 10.95" – 20.95



Optical Aperture



Adjustable Range

