

Date:	Approved:
Type:	
Fixture:	
Project:	

FCF1109

Exterior 9" Flood, Architectural Facade, and Landscape Luminaire



FEATURES

- Up to 10200 lumens
- Wide range mounting options
- Many optical accessories
- Tempered glass lens
- IP66 rated
- 1.5G Vibration resistance
- 93 CRI with 2 SDCM

PERFORMANCE

- Beam Spread:** 10°, 20°, 30°, 70°, 100°
- CCT Options:** 2700K, 3000K, 3500K, 4000K, 5000K, Red, Green, Blue
- CRI:** 93 CRI
- Consistency:** 2 SDCM (Luminaire to Luminaire)
- Lumens:** 8200 - 10200 lumens @ 4000K nominal
- Lumen Maintenance:** L70 >70,000 hours

PHYSICAL

Mounting: Standard mounting is 1/2" - 14 NPS and includes adjustments for 150° vertical rotation and 360° horizontal rotation.

Housing: Marine grade, corrosion resistant, low copper, solid die-cast aluminum, captive stainless steel fasteners.

Finish: Available in Black, Bronze, Graphite Grey, Silver, White and Custom Colors. Six stage chemical iron phosphate conversion pre-treatment. Polyester powder coat finish, 18 µm Min., 5,000 hour salt spray test (ASTM B117) compliant with Florida / AAMA 2604 specification.

Warranty: 5-Year limited warranty

Lens: Anti-reflective-clear, tempered glass w/silicone gasketing - IK07 Impact Rating

Ingress Protection: Dry, damp or wet locations IP66 rated

Weight: 10.1 lbs

Ambient Operating Temp: -22°F to 122°F (-30°C to 50°C)

ELECTRICAL

Voltage: Universal 120 - 277 VAC

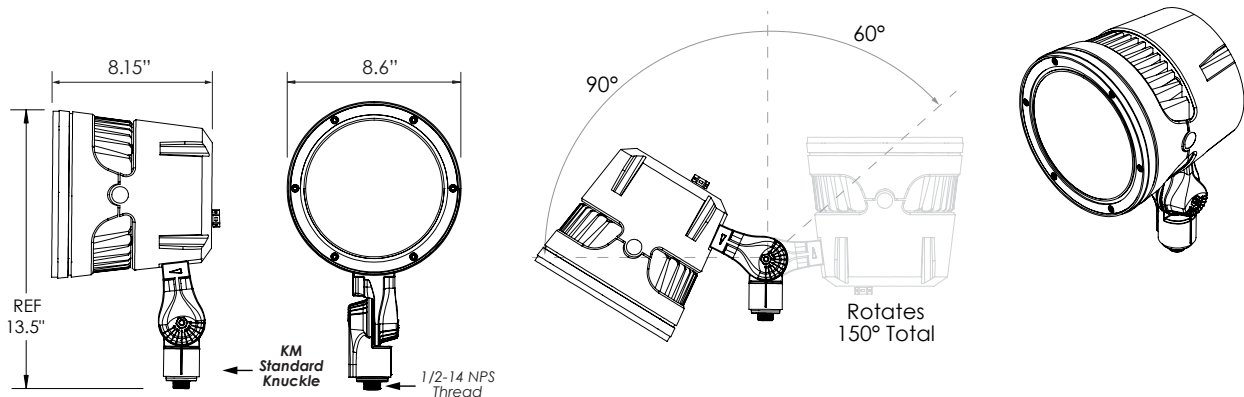
Power Supply: Integral Class II, electronic high-power factor >.90 @ 120V

Power Consumption: Up to 109W @ 120V

Dimming: 0-10V Dimming

Standards: cETLus Listed, CE, NOM, tested to UL 1598 and UL 8750 standards / UL-Class I / IES LM-79 / LM-80.

PHYSICAL DIMENSIONS



Date: _____
 Type: _____
 Fixture: _____
 Project: _____

Approved: _____

FCF1109

PRODUCT CODE

EXAMPLE: FCF1109-UNV-927-73L-BKE-10-LD-CV9-KM



MODEL
FCF1109

VOLTAGE
UNV Universal 120 - 277 VAC
120V 120 VAC (PE Option)

COLOR
927 (93CRI) 2700K
930 (93CRI) 3000K
935 (93CRI) 3500K
940 (93CRI) 4000K
950 (93CRI) 5000K
RED Red²
BLU Blue¹
GRN Green¹

¹Available only in 73L package
²Available only in 108L package

LUMENS nominal
73L 8200 lm (80W)
108L 10200 lm (109W)

FINISH
BKE Black
BRE Bronze
GRE Graphite Grey
SLE Silver
WHE White
CCE Custom Color

OPTICS nominal
10 Spot 10°
20 Medium Spot 20°
30 Medium Flood 30°
70 Flood 70°
100 Wide Flood 100°

OPTIONS
LD 0-10V Dimming
PE Photo Eye (120V Only) (Not used with Y9)

TRIM
CV9 Cut-Off Visor
CV9-RG9 Cut-Off Visor with Rock Guard¹
LSN9 Long Shoot²
LSN9-SF9 Long Shoot with Screen Frame²
RG9 Rock Guard¹
SN9 Snoot Enclosed Glass Front Lens¹

¹Recommend ≤70 (Flood 70°)
²Recommend ≤30 (Flood 30°)

MOUNT Choose one mount option
KM Medium Knuckle Mount (Standard)
AS Architectural Surface Mount
AS-BASE Architectural Surface Mount with Base
FEX6 Flood Extension Arm - 6"
FEX12 Flood Extension Arm - 12"
HGS Heavy Duty Ground Stake
JB Junction Box (Outdoor Rated)
PF Post Top Fitter
Y9 Yoke Arm (Removes Knuckle)

Note: Must specify mount as part of catalog number. Mounts may not be convertible from one to another without rework at the factory.

FCF1109

LUMENS

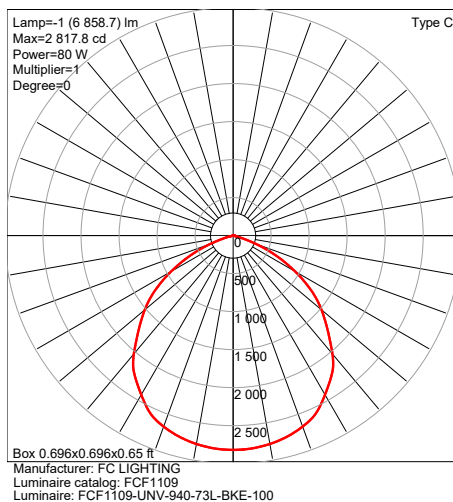
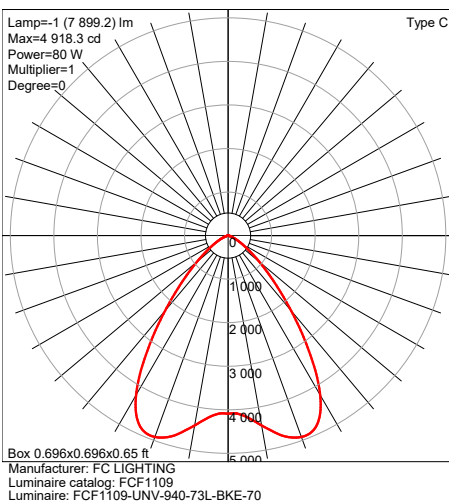
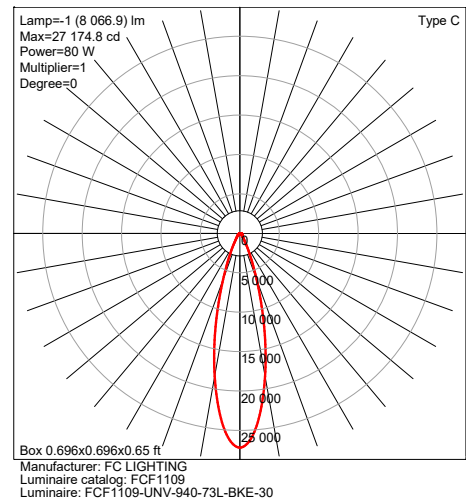
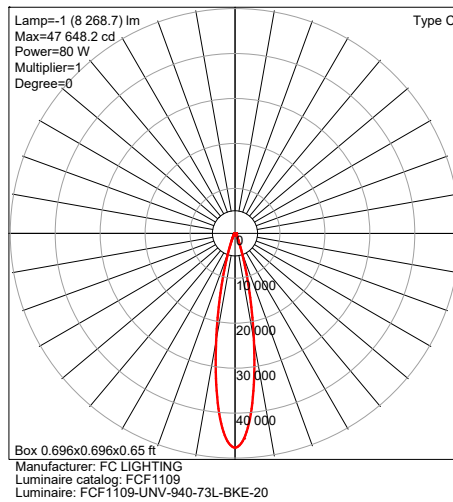
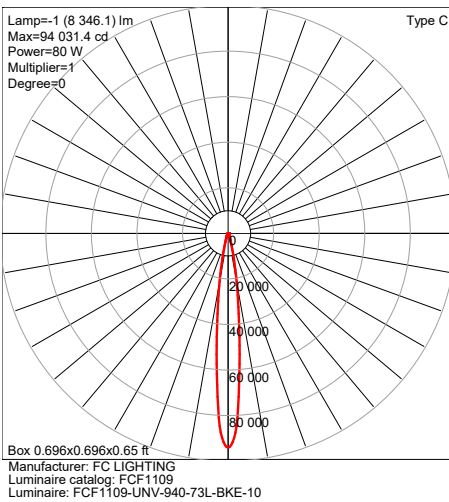
Model	Watts	4K
FCF1109	80W	8200 lm
	109W	10200 lm

IES Multiplier	
Color	Multiplier
927	0.83
930	0.91
935	0.91
940	1.00

*83CRI≤1.15 Consult factory.
*R,G,B Consult factory.

0-10V Approved Dimmer List	
Manufacturer	Manufacturer Part Number
Lutron	Diva DVSTV-XX
	Diva DVSTV-453PH-WH1
Leviton	illumatech 010-IP710-DLZ

PHOTOMETRICS



Due to continuous development and improvements, specifications are subject to change without notice.
Product use certifies agreement to FC Lighting terms and conditions.

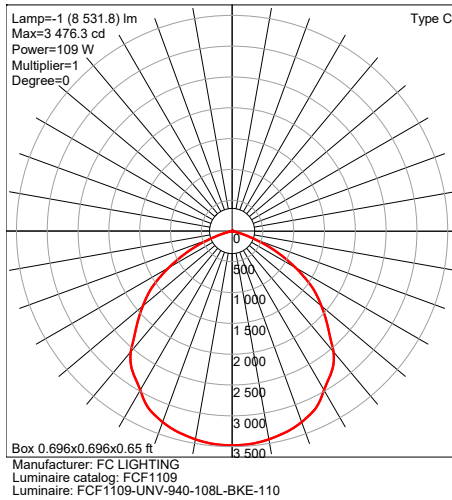
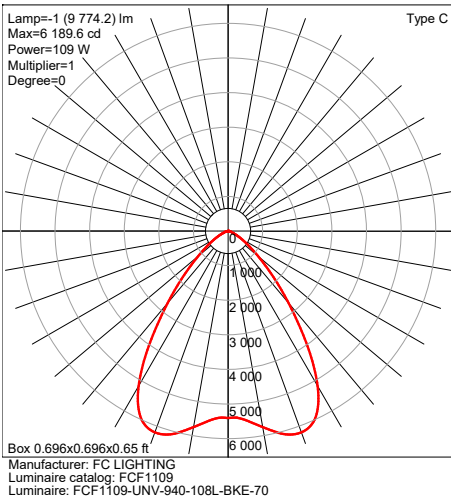
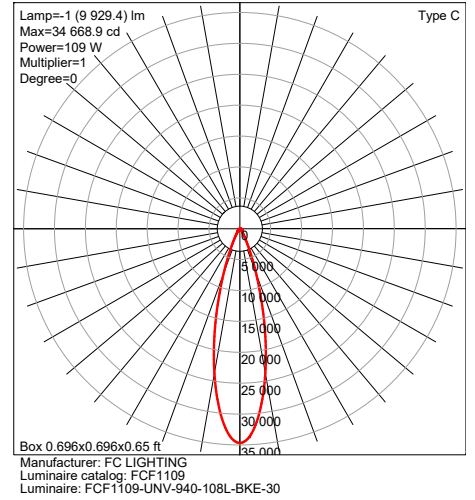
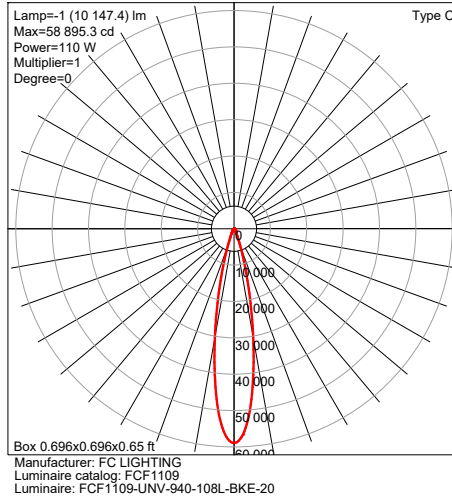
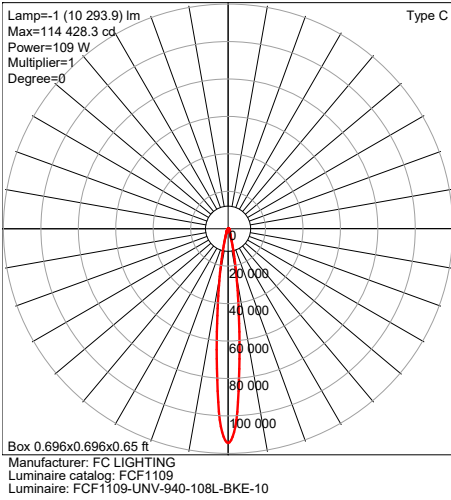
© FC Lighting, Inc. 3609 Swenson Ave • St. Charles, IL • 60174 | fclighting.com | 800.900.1730

US Commercial Lighting Manufacturer Since 1982

RG-DM-090623

FCF1109

PHOTOMETRICS

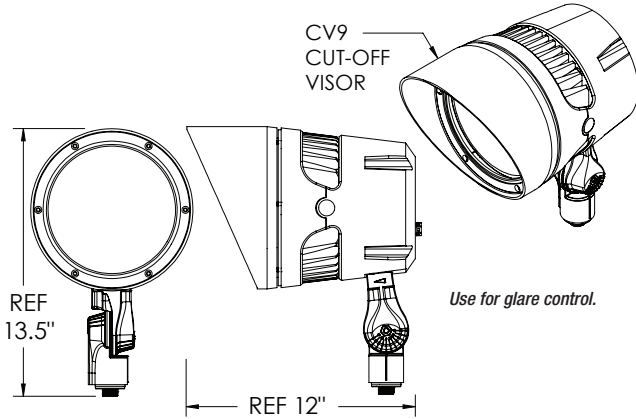


Due to continuous development and improvements, specifications are subject to change without notice.
 Product use certifies agreement to FC Lighting terms and conditions.

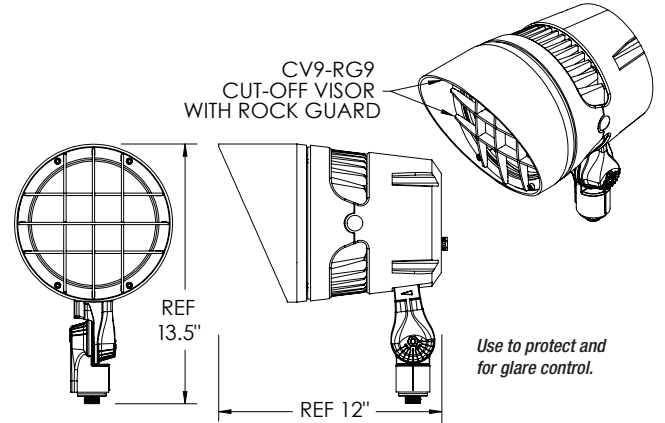
FCF1109

TRIM

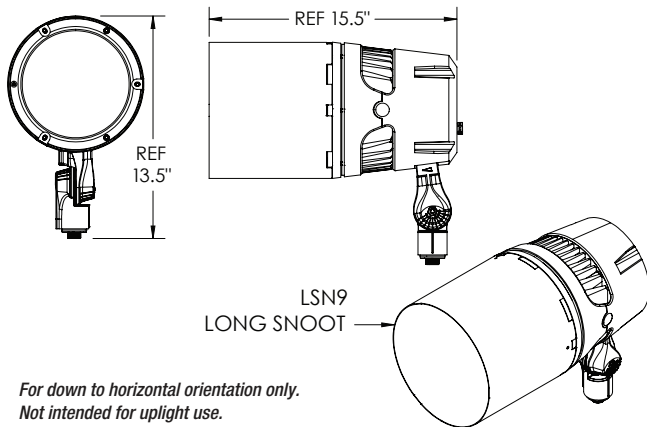
CV9 Cut-Off Visor



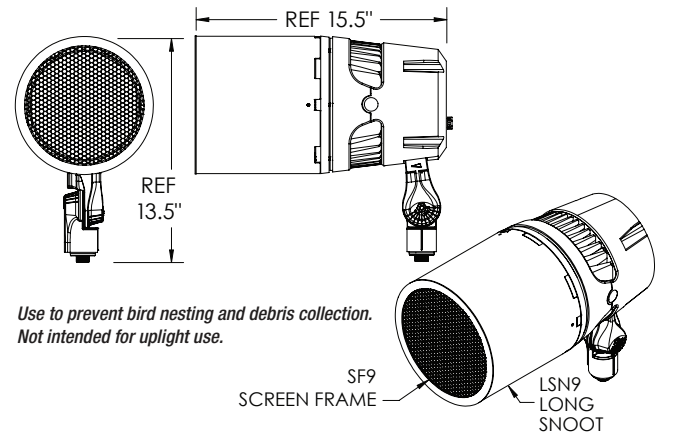
CV9-RG9 Cut-Off Visor with Rock Guard



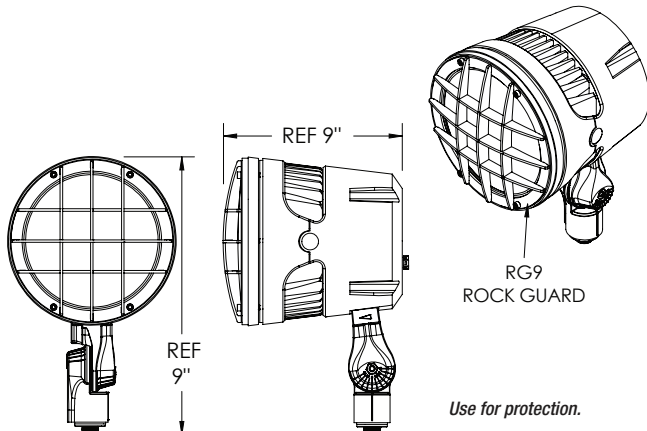
LSN9 Long Snoot



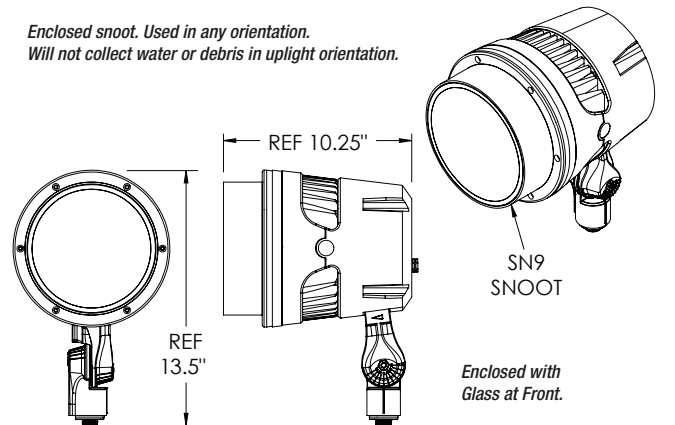
LSN9-SF9 Long Snoot with Screen Frame



RG9 Rock Guard



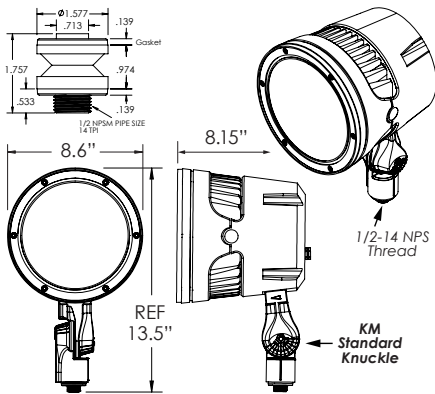
SN9 Snoot Enclosed Glass Front Lens



FCF1109

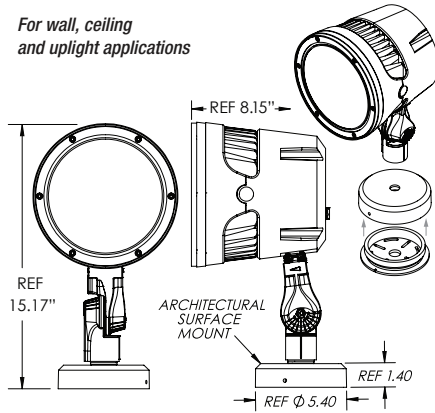
MOUNTING ACCESSORIES Please pick one of the below for mounting.

KM Medium Knuckle Mount (Standard)

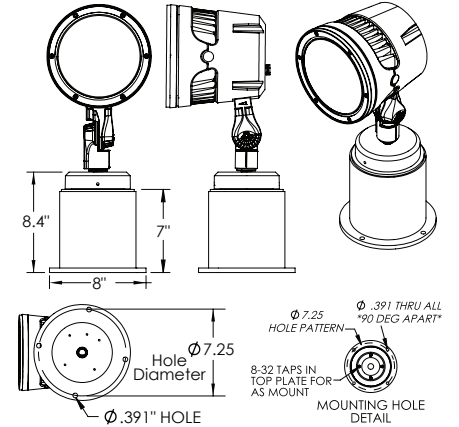


AS Architectural Surface Mount

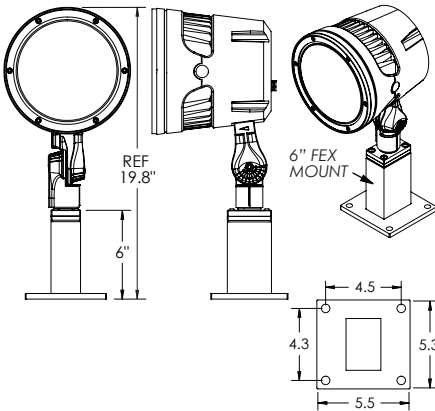
For wall, ceiling and uplight applications



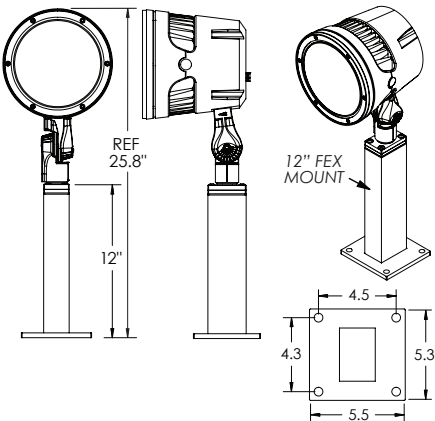
AS-BASE Architectural Surface Mount with Base



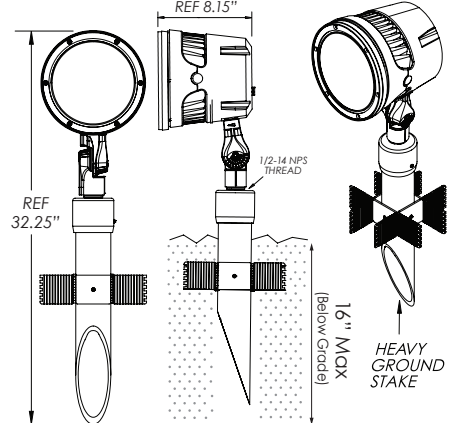
FEX6 Flood Extension Arm - 6"



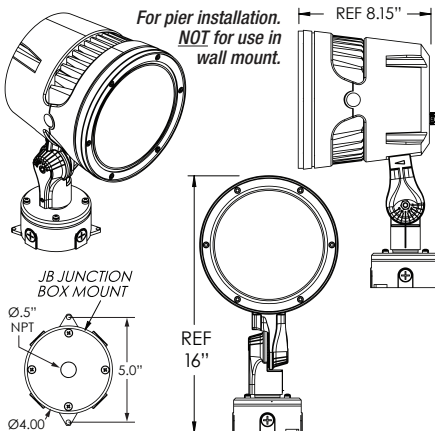
FEX12 Flood Extension Arm - 12"



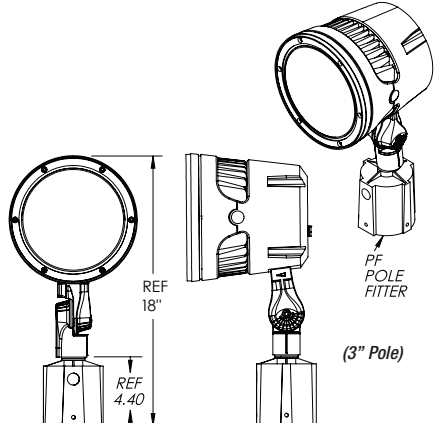
HGS Heavy Duty Ground Stake



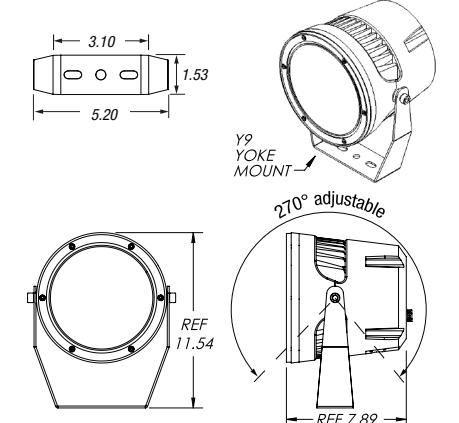
JB Junction Box (Outdoor Rated)



PF Post Top Fitter



Y9 Yoke Arm (Removes Knuckle)



Due to continuous development and improvements, specifications are subject to change without notice.

Product use certifies agreement to FC Lighting terms and conditions.