

**FCSL402**



<b>Date:</b>	<b>Approved:</b>
<b>Type:</b>	
<b>Fixture:</b>	
<b>Project:</b>	

**FCSL402** IP65 rated exterior round louvered face, 7 inch step light designed for masonry applications. Corrosion resistant, high pressured, die-cast aluminum construction, this fixture provides illumination for damp, dry or wet areas.

**SPECIFICATIONS**

**PHYSICAL**

<b>dimensions</b>	Ø 7.2" x 4" Deep
<b>weight</b>	2 lbs
<b>housing</b>	Marine grade, corrosion resistant, heavy walled, high pressure die-cast aluminum
<b>lens</b>	Clear Frosted Glass
<b>mounting</b>	Concrete pour, masonry applications
<b>ingress protection</b>	IP65 : dry, damp or wet locations with extruded silicone gasket to seal out contaminants
<b>faceplate finish</b>	Six stage chemical iron phosphate conversion pre-treatment. Polyester powder coat finish, 18 µm Min., 5000hr salt spray test (ASTM B117) compliant with Florida / AAMA 2604 specification.

**PERFORMANCE**

<b>color temperature</b>	2700K	3000K	3500K	4000K
<b>lumen output</b>	300 lm			
<b>lifetime</b>	> 70,000 hours / L70 or better			
<b>color consistency</b>	3 SDCM / 85 CRI			
<b>operating temperature</b>	-13°F to 104°F (-25°C to 40°C)			
<b>junction temperature</b>	73°C @ T <sup>a</sup> 25°C			
<b>warranty</b>	5-Year limited warranty (refer to website for details)			

**ELECTRICAL**

<b>input voltage</b>	Universal 120 - 277 VAC   optional: 347 VAC (Integral)
<b>power supply</b>	Integral Class II, electronic high-power factor > 94% @ 120V
<b>certifications</b>	ETL / cETL Listed   ADA compliant
<b>standards</b>	UL1598 / CSA C22.2 No. 250.0; UL 8750 / CSA C22.2 No. 250.13 / IES LM-79 / LM-80
<b>power consumption</b>	18W @ 120 - 277 VAC
<b>dimming</b>	0-10V (10%)

Due to continuous development and improvements, specifications are subject to change without notice. FC Lighting reserves the right to change lab test details or specifications without notice. Product use certifies agreement to FC terms and conditions.



# Ordering Information

## ORDERING INFORMATION

This product has Quick Ship options available. View the FC|SSL Quick Ship catalog.

FCSL402			CRI85	3L								
SERIES	VOLTAGE	CCT	CRI	LUMENS	FINISH	OPTIONS						
FCSL402	<b>120V</b>	120 VAC	<b>27K</b>	2700K	<b>CRI85</b>	85 CRI	<b>3L</b>	300 lm (18W)	<b>BKE</b>	Black	<b>LD</b>	Dimming 0-10V (Standard)
	<b>277V</b>	277 VAC	<b>3K</b>	3000K					<b>BRE</b>	Bronze	<b>DWR</b>	Drywall Wings (for remodeling applications)
	<b>UNV</b>	120 - 277 VAC	<b>35K</b>	3500K					<b>GRE</b>	Graphite Grey	<b>LBB</b>	Less Back Box (for shipment separate of Back Box)
	<b>347V</b>	347 VAC	<b>4K</b>	4000K					<b>SLE</b>	Silver		
									<b>WHE</b>	White		
									<b>CCE</b>	Custom Color		

### BACK BOX KITS

**99005-ETL** Back Box Kit - Complete Back Box shipped in advance of fixture without mounting kit.

### Consult Factory for other options and configurations.

To ensure you receive proper configurations for your lighting specifications, contact us directly about any unique application requirements. This may include but not be limited to lumen output, mounting needs, or electrical requirements.

Due to continuous development and improvements, specifications are subject to change without notice. FC Lighting reserves the right to change lab test details or specifications without notice. Product use certifies agreement to FC terms and conditions.

 US Commercial Lighting Manufacturer Since 1982



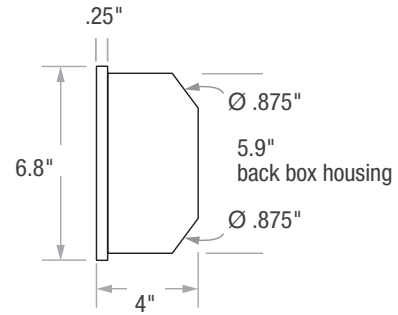
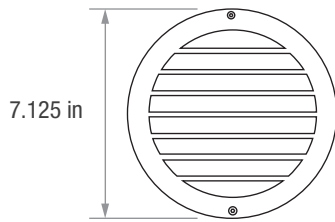
# Dimensions

**PRODUCT DIMENSIONS - STANDARD PRODUCT** | **MOUNTING - j-box sold by others**

diameter	7.125" W
housing depth	4.25" D

back box diameter lip	Ø 6.8"
back box housing depth	Ø 5.9"
back box lip depth	.25" D
back box housing depth	4" D

Back Box mounts inside brick masonry: faceplate flush to surface or in front of surface - see installation instructions for proper mounting directions.



Due to continuous development and improvements, specifications are subject to change without notice. FC Lighting reserves the right to change lab test details or specifications without notice. Product use certifies agreement to FC terms and conditions.