

Date: _____

Type: _____

Fixture: _____

Project: _____

Approved:

FCSL407



FCSL407 IP65 rated exterior stainless steel round 7 inch step light with architectural design elements. Made for masonry applications. Corrosion resistant, high pressured, die-cast aluminum housing construction, this fixture provides illumination for damp, dry or wet areas.



SPECIFICATIONS

PHYSICAL

| | |
|---------------------------|--|
| dimensions | Ø 7.125" x 4" Deep |
| weight | 2 lbs |
| housing | Marine grade, corrosion resistant, heavy walled, high pressure die-cast aluminum |
| lens | Tempered glass lens |
| mounting | Concrete pour, masonry applications |
| ingress protection | IP65 : dry, damp or wet locations with extruded silicone gasket to seal out contaminants |
| faceplate finish | Marine grade 316, stainless steel faceplate |

PERFORMANCE

| | | | | |
|------------------------------|--|-------|-------|-------|
| color temperature | 2700K | 3000K | 3500K | 4000K |
| lumen output | 600 lm | | | |
| lifetime | > 70,000 hours / L70 or better | | | |
| color consistency | 3 SDCM / 85 CRI | | | |
| operating temperature | -13°F to 104°F (-25°C to 40°C) | | | |
| junction temperature | 73°C @ T ^A 25°C | | | |
| warranty | 5-Year limited warranty (refer to website for details) | | | |

ELECTRICAL

| | |
|--------------------------|---|
| input voltage | Universal 120–277V AC optional: 347V AC (integral) |
| power supply | integral Class II, electronic high-power factor > 94% @120V |
| certifications | ETL / cETL Listed ADA compliant |
| standards | UL1598 / CSA C22.2 No. 250.0; UL 8750 / CSA C22.2 No. 250.13 / ES LM-79 / LM-80 |
| power consumption | 18W @ 120V - 277V |
| dimming | 0-10V (10%) |

Due to continuous development and improvements, specifications are subject to change without notice. FC Lighting reserves the right to change lab test details or specifications without notice. Product use certifies agreement to FC terms and conditions.



Ordering Information

ORDERING INFORMATION

This product has Quick Ship options available. View the FC|SSL Quick Ship catalog.

| FCSL407 | | | | | CRI85 | 6L | | SS | | | | | | |
|---------|---------|-----------|-----|-------|-------|--------|--|--------|--------------|---------|----|-----------------|-----|---|
| SERIES | VOLTAGE | | CCT | | CRI | LUMENS | | FINISH | | OPTIONS | | | | |
| FCSL407 | 120V | 120V | 27K | 2700K | CRI85 | 85 CRI | | 6L | 600 lm (18W) | | SS | Stainless Steel | LD | 0-10V Dimming (Standard) |
| | 277V | 277V | 3K | 3000K | | | | | | | | | WPC | White Polycarbonate Lens |
| | UNV | 120V-277V | 35K | 3500K | | | | | | | | | DWR | Drywall Wings (for remodeling applications) |
| | 347V | 347V | 4K | 4000K | | | | | | | | | LBB | Less Back Box (for shipment separate of Back Box) |

BACK BOX KITS

99005-ETL Back Box Kit - Complete Back Box shipped in advance of fixture without mounting kit.

Consult Factory for other options and configurations.

To ensure you receive proper configurations for your lighting specifications, contact us directly about any unique application requirements. This may include but not be limited to lumen output, mounting needs, or electrical requirements.

Due to continuous development and improvements, specifications are subject to change without notice. FC Lighting reserves the right to change lab test details or specifications without notice. Product use certifies agreement to FC terms and conditions.

 US Commercial Lighting Manufacturer Since 1982

© FC Lighting 3609 Swenson Ave. • St. Charles, IL • 60174 | fcighting.com | 800.900.1730

Specification Sheet

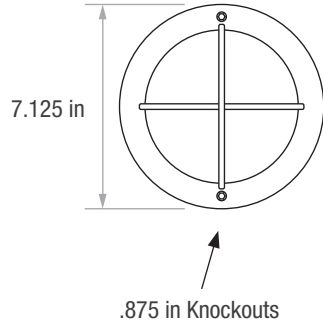
JO-DM-042123



Dimensions

PRODUCT DIMENSIONS - STANDARD PRODUCT

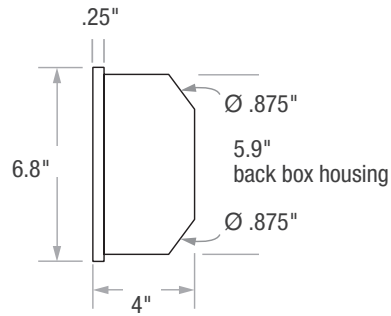
| | |
|---------------|----------|
| diameter | 7.125" W |
| housing depth | 4.25" D |



MOUNTING - *j-box sold by others*

| | |
|------------------------|--------|
| back box diameter lip | Ø 6.8" |
| back box housing depth | Ø 5.9" |
| back box lip depth | .25" D |
| back box housing depth | 4" D |

back box mounts inside brick masonry: faceplate flush to surface or in front of surface - see installation instructions for proper mounting directions



Due to continuous development and improvements, specifications are subject to change without notice. FC Lighting reserves the right to change lab test details or specifications without notice. Product use certifies agreement to FC terms and conditions.