

<b>Date:</b>	<b>Approved:</b>
<b>Type:</b>	
<b>Fixture:</b>	
<b>Project:</b>	

## FCSL510



**FCSL510** 12 inch wide IP65 rated exterior recessed cut-off large step light for masonry applications. Corrosion resistant, die-cast aluminum construction, this fixture provides illumination for damp, dry or wet areas.



### SPECIFICATIONS

#### PHYSICAL

<b>dimensions</b>	11.75" W x 13.75" H x 4.75" D
<b>weight</b>	5 lbs
<b>housing</b>	Marine grade, corrosion resistant, heavy gauge aluminum faceplate
<b>lens</b>	Clear glass lens
<b>mounting</b>	Concrete pour, masonry applications
<b>ingress protection</b>	IP65 : dry, damp or wet locations with extruded silicone gasket to seal out contaminants
<b>faceplate finish</b>	Six stage chemical iron phosphate conversion pre-treatment. Polyester powder coat finish, 18 µm Min., 5000hr salt spray test (ASTM B117) compliant with Florida / AAMA 2604 specification.

#### PERFORMANCE

<b>color temperature</b>	2700K	3000K	3500K	4000K
<b>lumen output</b>	1100 lm			
<b>lifetime</b>	> 70,000 hours / L70 or better			
<b>color consistency</b>	3 SDCM / 85 CRI			
<b>operating temperature</b>	-13°F to 104°F (-25°C to 40°C)			
<b>junction temperature</b>	73°C @ T <sup>a</sup> 25°C			
<b>warranty</b>	5-Year limited warranty (refer to website for details)			

#### ELECTRICAL

<b>input voltage</b>	Universal 120 - 277 VAC   optional: 347 VAC (integral)
<b>power supply</b>	Integral Class II, electronic high-power factor > 94% @ 120V
<b>certifications</b>	ETL / cETL Listed
<b>standards</b>	UL1598/CSA C22.2 No. 250.0; UL 8750/CSA C22.2 No. 250.13/IES LM-79/LM-80
<b>power consumption</b>	43W (1100 lm)
<b>dimming</b>	0-10V (10%)

Due to continuous development and improvements, specifications are subject to change without notice. FC Lighting reserves the right to change lab test details or specifications without notice. Product use certifies agreement to FC terms and conditions.

 US Commercial Lighting Manufacturer Since 1982

**Specification Sheet**



## Ordering Information

### PART NUMBER

FCSL510				CRI85		11L						
SERIES	VOLTAGE		CCT		CRI		LUMENS		FINISH		OPTIONS	
FCSL510	120V	120 VAC	27K	2700K	CRI85	85 CRI	11L	1100 lm (43W)	BKE	Black	LD	0-10V Dimming (Standard)
	277V	277 VAC	3K	3000K					BRE	Bronze	DWR	Drywall Wings (Drywall Applications)
	UNV	120 - 277 VAC	35K	3500K					GRE	Graphite Grey	WPC	White Polycarbonate Lens
	347V	347 VAC	4K	4000K					SLE	Silver	LBB	Less Back Box (for shipment separate of Back Box)
									WHE	White		
									CCE	Custom Color		

### BACK BOX KITS

99006C-ETL Back Box Kit - Complete Back Box shipped in advance of fixture without mounting kit.

### REMOTE DRIVER & BATTERY BACKUP

FCSL510R	UNV			CRI85		11L						
SERIES	VOLTAGE		CCT		CRI		LUMENS		FINISH		OPTIONS	
FCSL510R <sup>1</sup>	UNV	120 - 277 VAC	27K	2700K	CRI85	85 CRI	11L	1100 lm (43W)	BKE	Black	LD	0-10V Dimming (Standard)
			3K	3000K					BRE	Bronze	DWR	Drywall Wings (Drywall Applications)
			35K	3500K					GRE	Graphite Grey	WPC	White Polycarbonate Lens
			4K	4000K					SLE	Silver	BBUR <sup>1</sup>	Battery Backup Remote (Indoor)
									WHE	White	BBUX <sup>2</sup>	Battery Backup Remote (Outdoor)
									CCE	Custom Color	N/A	Leave Blank for Remote Driver Only (without Battery Backup)

<sup>1</sup> LED DRIVER REMOTE (INDOOR) IP20, IK08, NEMA 1, -20°C to +50°C, 30' MAX Distance with 12AWG.

\*Consult factory for outdoor remote driver only.

<sup>1</sup> Battery Back-up & LED Driver Remote (INDOOR), IP20, IK08, NEMA 1, 0°C to +48°C, 30' MAX Distance with 12AWG (w/UNV Option Only)

<sup>2</sup> Battery Back-up & LED Driver Remote (OUTDOOR), IP67, IK10, NEMA 4X, -20°C to +55°C, 30' MAX Distance with 12AWG (w/UNV Option Only)

### Consult Factory for other options and configurations.

To ensure you receive proper configurations for your lighting specifications, contact us directly about any unique application requirements. This may include but not be limited to lumen output, mounting needs, or electrical requirements.

Due to continuous development and improvements, specifications are subject to change without notice. FC Lighting reserves the right to change lab test details or specifications without notice. Product use certifies agreement to FC terms and conditions.



# Dimensions

PRODUCT DIMENSIONS - STANDARD PRODUCT		MOUNTING - <i>j-box sold by others</i>	
width	11.75" W	back box width	10.75" W
height	13.75" H	back box height	12.75" H
depth	4.75" D	back box depth	4.75" D

back box mounts inside brick masonry: faceplate in front of surface - see installation instructions for proper mounting.

back box housing

Ø .875" conduit hole

Due to continuous development and improvements, specifications are subject to change without notice. FC Lighting reserves the right to change lab test details or specifications without notice. Product use certifies agreement to FC terms and conditions.



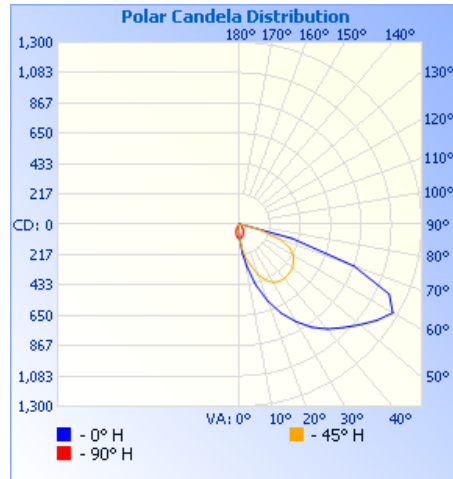
# Photometry

## OPTICAL DISTRIBUTION

<b>lumen output</b>	963 lm @ 4000K
<b>power consumption</b>	43W

	Illuminance at a Distance	
	Center Beam fc	Beam Width
1.7R	34.5 fc	1.6 ft 1.9 ft
3.3R	9.16 fc	3.1 ft 3.6 ft
5.0R	3.99 fc	4.7 ft 5.4 ft
6.7R	2.22 fc	6.3 ft 7.3 ft
8.3R	1.45 fc	7.8 ft 9.0 ft
10.0R	1.00 fc	9.4 ft 10.9 ft

■ Vert. Spread: 50.3°  
■ Horiz. Spread: 57.1°



**illuminations testing lab** : Report #1090

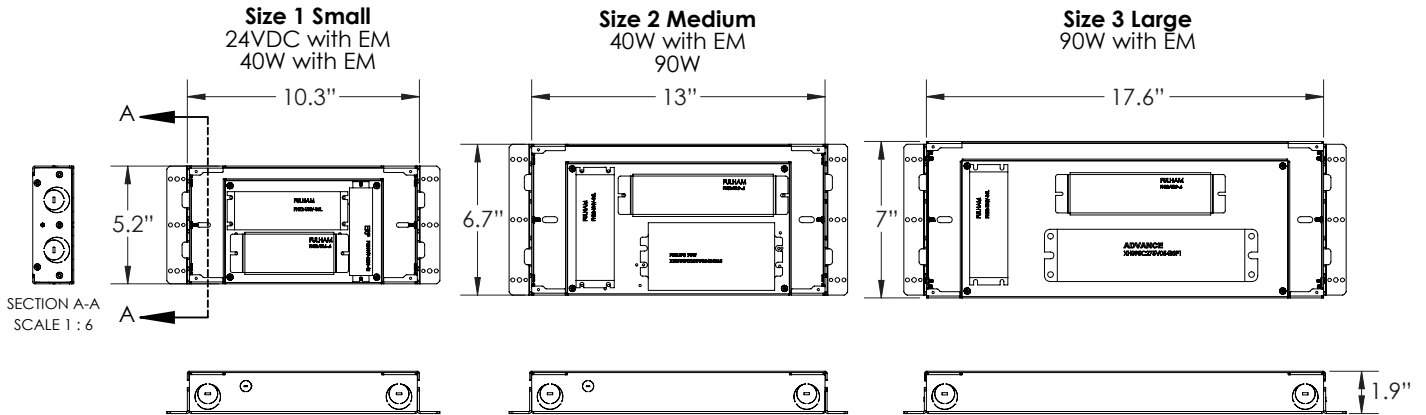
Due to continuous development and improvements, specifications are subject to change without notice. FC Lighting reserves the right to change lab test details or specifications without notice. Product use certifies agreement to FC terms and conditions.

 US Commercial Lighting Manufacturer Since 1982

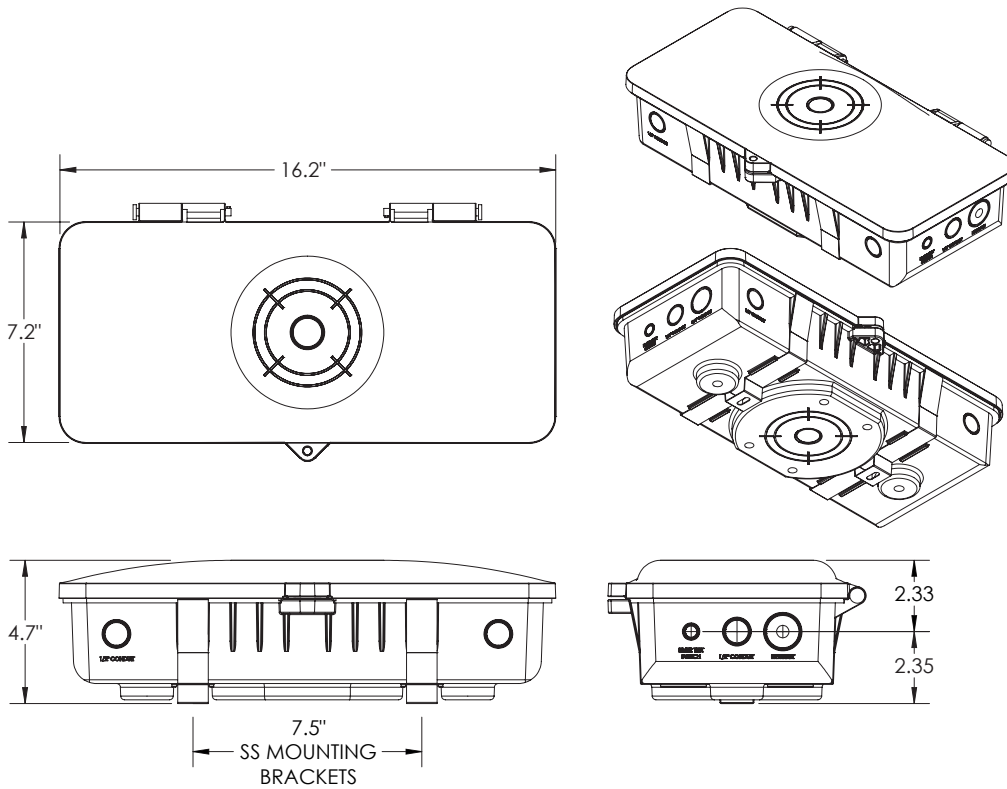
**Specification Sheet**

**BATTERY BACK-UPS**

**BBUR - BATTERY BACK-UP & LED DRIVER REMOTE (INDOOR), IP20, IK08, NEMA 1, 0°C to +48°C, 30' MAX Distance with 12AWG (w/UNV Option Only)**



**BBUX - BATTERY BACK-UP & LED DRIVER REMOTE (OUTDOOR), IP67, IK10, NEMA 4X, -20°C to +55°C, 30' MAX Distance with 12AWG (w/UNV Option Only)**



Due to continuous development and improvements, specifications are subject to change without notice. FC Lighting reserves the right to change lab test details or specifications without notice. Product use certifies agreement to FC terms and conditions.