

**Date:** \_\_\_\_\_

**Type:** \_\_\_\_\_

**Fixture:** \_\_\_\_\_

**Project:** \_\_\_\_\_

**Approved:**

## FCSL595



**FCSL595** 8 inch square, interior surface mount step light with hood. Corrosion resistant, die-cast aluminum construction. This low profile, ADA compliant fixture provides illumination for damp, damp or wet locations.



### SPECIFICATIONS

#### PHYSICAL

<b>dimensions</b>	Ø 8.375" x 1.375" Deep
<b>weight</b>	2 lbs
<b>housing</b>	Marine grade, corrosion resistant, heavy guage aluminum faceplate
<b>lens</b>	Clear tempered glass lens
<b>mounting</b>	Surface mounts directly to surface, over standard octagonal or single gang junction box
<b>ingress protection</b>	IP65 Dry, damp or wet locations with extruded silicone gasket to seal out contaminants
<b>faceplate finish</b>	Six stage chemical iron phosphate conversion pre-treatment. Polyester powder coat finish, 18 µm Min., 5000hr salt spray test (ASTM B117) compliant with Florida / AAMA 2604 specification.

#### PERFORMANCE

<b>color temperature</b>	2700K	3000K	3500K	4000K
<b>lumen output</b>	370 lm			
<b>lifetime</b>	> 70,000 hours / L70 or better			
<b>color consistency</b>	3 SDCM / 85 CRI			
<b>operating temperature</b>	-13°F to 104°F (-25°C to 40°C)			
<b>junction temperature</b>	73°C @ T <sup>a</sup> 25°C			
<b>warranty</b>	5-Year limited warranty (refer to website for details)			

#### ELECTRICAL

<b>input voltage</b>	Universal 120 - 277 VAC
<b>power supply</b>	Integral Class II, electronic high-power factor > 94% @ 120V
<b>certifications</b>	ETL / cETL Listed, CEC Title 24 JA8 compliant (only 90CRI)
<b>standards</b>	UL1598/CSA C22.2 No. 250.0; UL 8750/CSA C22.2 No. 250.13/IES LM-79/LM-80
<b>power consumption</b>	6W (370 lm)

Due to continuous development and improvements, specifications are subject to change without notice. FC Lighting reserves the right to change lab test details or specifications without notice. Product use certifies agreement to FC Lighting terms and conditions. FCC Series Cylinder Lights are engineered and produced in our Illinois manufacturing facility.



# Ordering Information

PART NUMBER									
FCSL595			CRI85	4L					
SERIES	VOLTAGE	CCT	CRI	LUMENS	FINISH	OPTIONS			
FCSL595	120V	120 VAC	27K	2700K	CRI85 85 CRI	4L	370 lm (6W)	BKE	Black
	277V	277 VAC	3K	3000K				BRE	Bronze
	UNV	120 - 277 VAC	35K	3500K				GRE	Graphite Grey
			4K	4000K				SLE	Silver
					WHE	White			
								CCE	Custom Color

REMOTE DRIVER & BATTERY BACKUP

FCSL595R	UNV		CRI85	4L							
SERIES	VOLTAGE	CCT	CRI	LUMENS	FINISH	OPTIONS					
FCSL595R <sup>1</sup>	UNV	120 - 277 VAC	27K	2700K	CRI85 85 CRI	4L	370 lm (6W)	BKE	Black	BBUR <sup>1</sup>	Battery Backup Remote (Indoor)
			3K	3000K				BRE	Bronze	BBUX <sup>2</sup>	Battery Backup Remote (Outdoor)
			35K	3500K				GRE	Graphite Grey	N/A	Leave Blank for Remote Driver Only (without Battery Backup)
			4K	4000K				SLE	Silver		
								WHE	White		
								CCE	Custom Color		

<sup>1</sup> LED DRIVER REMOTE (INDOOR) IP20, IK08, NEMA 1, -20°C to +50°C, 30' MAX Distance with 12AWG.

\*Consult factory for outdoor remote driver only.

<sup>1</sup> Battery Back-up & LED Driver Remote (INDOOR), IP20, IK08, NEMA 1, 0°C to +48°C, 30' MAX Distance with 12AWG (w/UNV Option Only)

<sup>2</sup> Battery Back-up & LED Driver Remote (OUTDOOR), IP67, IK10, NEMA 4X, -20°C to +55°C, 30' MAX Distance with 12AWG (w/UNV Option Only)

**Consult Factory for other options and configurations.**

To ensure you receive proper configurations for your lighting specifications, contact us directly about any unique application requirements. This may include but not be limited to lumen output, mounting needs, or electrical requirements.

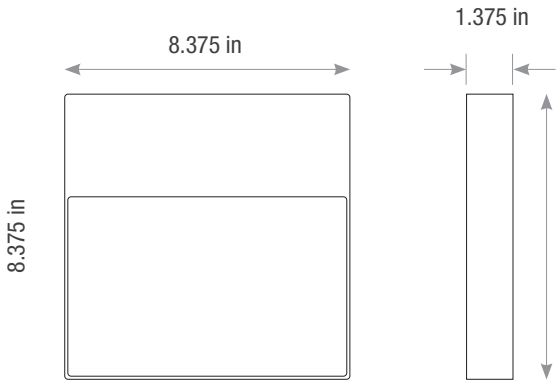
Due to continuous development and improvements, specifications are subject to change without notice. FC Lighting reserves the right to change lab test details or specifications without notice. Product use certifies agreement to FC Lighting terms and conditions. FCC Series Cylinder Lights are engineered and produced in our Illinois manufacturing facility.



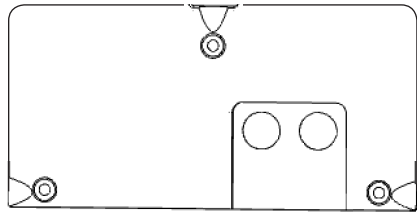
# Dimensions

**PRODUCT DIMENSIONS - STANDARD PRODUCT** | **MOUNTING - j-box sold by others**

<b>width</b>	8.375" Sq
<b>depth</b>	1.375" D



Mounts directly to surface. over octagonal or single gang j-box (by others).



Due to continuous development and improvements, specifications are subject to change without notice. FC Lighting reserves the right to change lab test details or specifications without notice. Product use certifies agreement to FC Lighting terms and conditions. FCC Series Cylinder Lights are engineered and produced in our Illinois manufacturing facility.



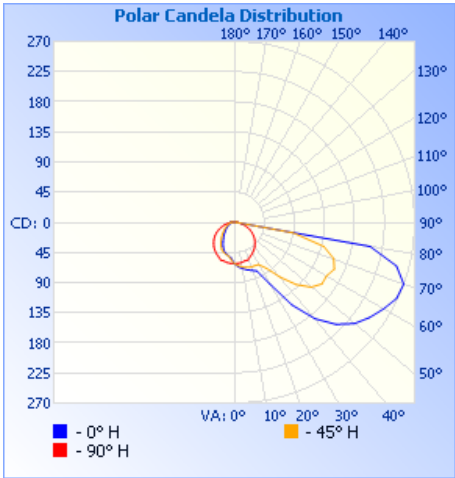
# Photometry

## OPTICAL DISTRIBUTION

<b>lumen output</b>	375 lm @ 4000K
<b>power consumption</b>	6W

Illuminance at a Distance			
	Center Beam fc	Beam Width	
1.7ft	21.3 fc	1.5 ft	3.2 ft
3.3ft	5.64 fc	3.0 ft	6.1 ft
5.0ft	2.46 fc	4.5 ft	9.3 ft
6.7ft	1.37 fc	6.0 ft	12.4 ft
8.3ft	0.89 fc	7.5 ft	15.4 ft
10.0ft	0.61 fc	9.0 ft	18.5 ft

■ Vert. Spread: 48.5°  
■ Horiz. Spread: 85.7°



**iti illuminations testing laboratory** : Report #1019

**IES ROAD REPORT**  
**PHOTOMETRIC FILENAME : FC SL595-120V-3K-375LM-WH.IES**

**LUMINAIRE CLASSIFICATION SYSTEM (LCS)**

	Lumens	%Lamp	%Luminaire
FL - Front-Low (0-30)	29.3	N.A.	7.1
FM - Front-Medium (30-60)	46.6	N.A.	35.7
FH - Front-High (60-80)	145.5	N.A.	35.4
FVH - Front-Very High (80-90)	15.7	N.A.	3.8
BL - Back-Low (0-30)	20.6	N.A.	5.0
BM - Back-Medium (30-60)	32.2	N.A.	7.8
BH - Back-High (60-80)	12.4	N.A.	3.0
BVH - Back-Very High (80-90)	3.1	N.A.	0.8
UL - Uplight-Low (90-100)	4.6	N.A.	1.1
UH - Uplight-High (100-180)	1.1	N.A.	0.3
<b>Total</b>	<b>411.1</b>	<b>N.A.</b>	<b>00.0</b>
<b>BUG Rating</b>	<b>B0-U1-G1</b>		

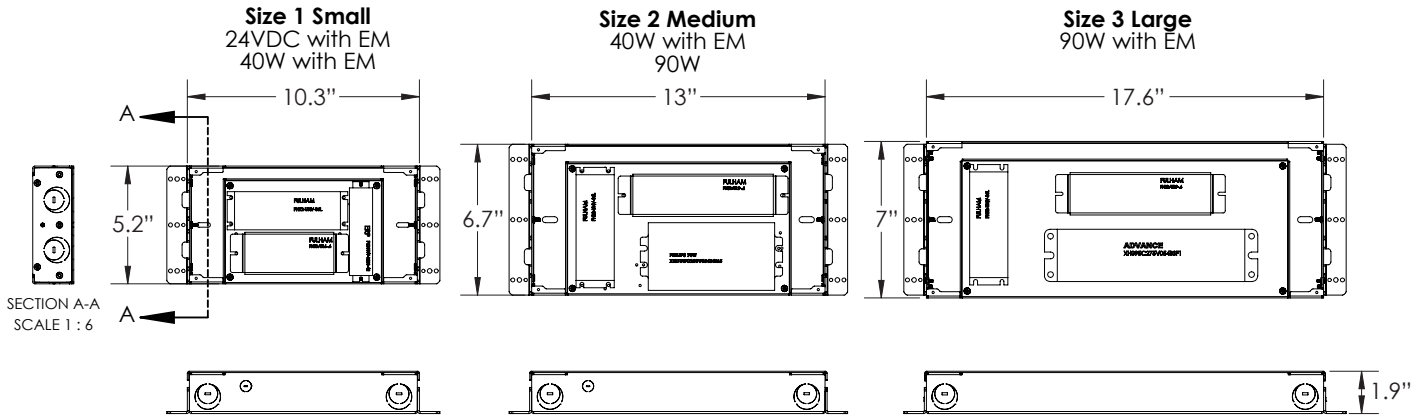
Due to continuous development and improvements, specifications are subject to change without notice. FC Lighting reserves the right to change lab test details or specifications without notice. Product use certifies agreement to FC Lighting terms and conditions. FCC Series Cylinder Lights are engineered and produced in our Illinois manufacturing facility.

US Commercial Lighting Manufacturer Since 1982

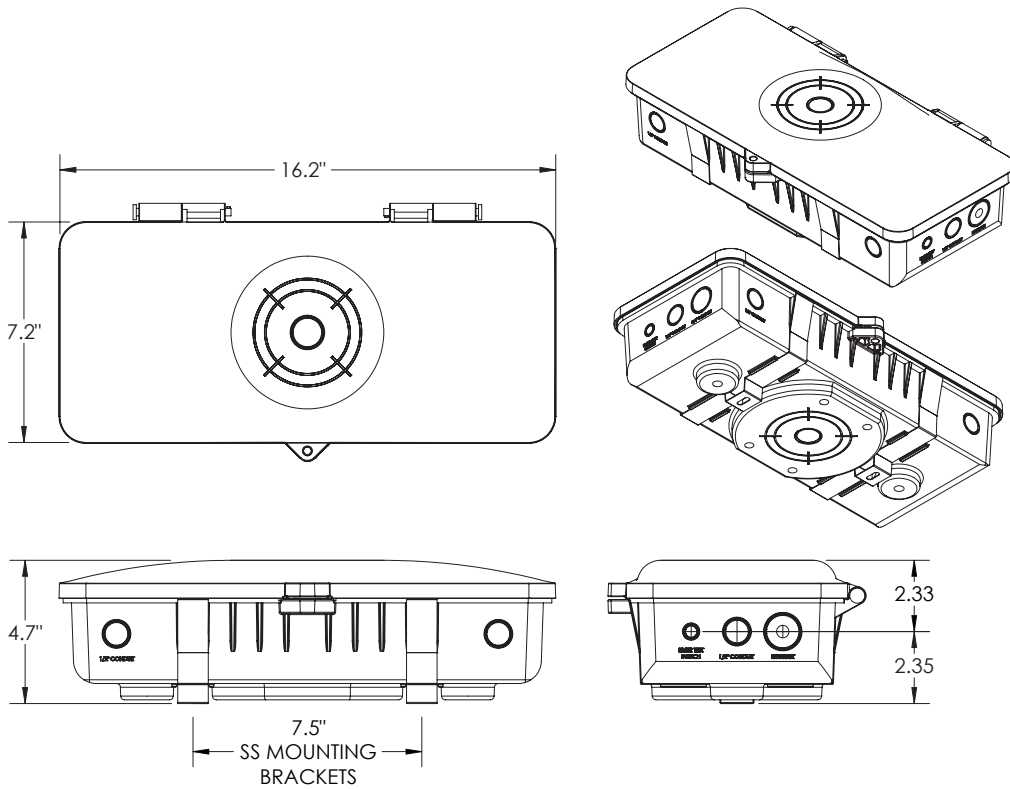
**Specification Sheet**

**BATTERY BACK-UPS**

**BBUR - BATTERY BACK-UP & LED DRIVER REMOTE (INDOOR), IP20, IK08, NEMA 1, 0°C to +48°C, 30' MAX Distance with 12AWG (w/UNV Option Only)**



**BBUX - BATTERY BACK-UP & LED DRIVER REMOTE (OUTDOOR), IP67, IK10, NEMA 4X, -20°C to +55°C, 30' MAX Distance with 12AWG (w/UNV Option Only)**



Due to continuous development and improvements, specifications are subject to change without notice. FC Lighting reserves the right to change lab test details or specifications without notice. Product use certifies agreement to FC Lighting terms and conditions. FCC Series Cylinder Lights are engineered and produced in our Illinois manufacturing facility.