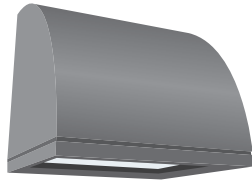


# FCW1030



<b>Date:</b>	
<b>Type:</b>	
<b>Fixture:</b>	
<b>Project:</b>	

**Approved:**

**FCW1030** Arched-face design for water run off. Directional Wall fixture is a functional IP65 rated down light. Corrosion resistant, die-cast aluminum construction, this fixture provides ample illumination for damp, dry or wet areas.



## SPECIFICATIONS

### PHYSICAL

<b>beam patterns</b>	Spot   Narrow Flood   Flood   Wide Flood
<b>dimensions</b>	8" W at lens, 8" W at top x 8" H
<b>weight</b>	10 lbs
<b>housing</b>	Marine grade, corrosion resistant, heavy gauge aluminum
<b>lens</b>	<b>Standard:</b> Impact resistant, clear, tempered glass.   <b>Optional:</b> Polycarbonate lens
<b>mounting</b>	Mounts directly to standard junction box; masonry applications use four (4) 0.25" x 0.75" screws with lead anchors (fasteners not included, j-box by others)   <b>optional:</b> adjustable arm (15° tilt)
<b>ingress protection</b>	IP65 : Dry, damp or wet locations with extruded silicone gasket to seal out contaminants
<b>finish</b>	Six stage chemical iron phosphate conversion pre-treatment. Polyester powder coat finish, 18 µm Min., 5000hr salt spray test (ASTM B117) compliant with Florida / AAMA 2604 specification.

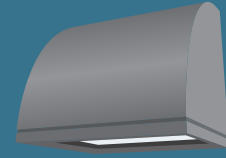
### PERFORMANCE

<b>color temperature</b>	2700K	3000K	3500K	4000K
<b>lumen output</b>	1000 lm	1350 lm	1700 lm	
<b>lifetime</b>	> 70,000 hours / L70 or better			
<b>color consistency</b>	3 SDCM / <b>Standard:</b> 85 CRI   <b>Optional:</b> 90 CRI			
<b>operating temperature</b>	-13°F to 104°F (-25°C to 40°C)			
<b>junction temperature</b>	73°C @ T <sup>a</sup> 25°C			
<b>warranty</b>	5-Year limited warranty (refer to website for details)			

### ELECTRICAL

<b>input voltage</b>	Universal 120 - 277 VAC   <b>Optional:</b> 347 VAC (Integral)
<b>power supply</b>	Integral Class II, electronic, high power factor > 94% @ 120V
<b>certifications</b>	ETL/cETL Listed, CEC Title 24 JA8 compliant (Only 90 CRI qualifies)
<b>standards</b>	UL1598 / CSA C22.2 No. 250.0; UI 8750 / CSA C22.2 No. 250.13 / IES LM-79 / LM-80
<b>power consumption</b>	25W @ 120 - 277 VAC (Maximum)
<b>dimming</b>	<b>Standard:</b> 0-10V (1%)   <b>Optional:</b> ELV (120V Only) / DMX (Integral) / DALI (Integral)

Due to continuous development and improvements, specifications are subject to change without notice. FC Lighting reserves the right to change lab test details or specifications without notice. Product use certifies agreement to FC Lighting terms and conditions. FCC Series Cylinder Lights are engineered and produced in our Illinois manufacturing facility.



## Ordering Information

### ORDERING INFORMATION

SERIES	VOLTAGE	CCT	CRI	LUMENS	FINISH	OPTICS	OPTIONS
FCW1030	UNV 120 - 277 VAC	27K 2700K	CRI85 85 CRI (Standard)	10L 1000 lm (19W)	BKE Black	SP Spot	LD 0-10V Dimming (1%) (Standard)
	120V 120 VAC	3K 3000K	CRI90 90 CRI	14L 1350 lm (20W)	BRE Bronze	NFL Narrow Flood	ELV* ELV Dimming *(120V Only)
	347V 347 VAC (Integral)	35K 3500K		17L 1700 lm (25W)	GRE Graphite Grey	FL Flood	DMX DMX Dimming (Integral)
		4K 4000K			WHE White	WFL Wide Flood	DALI DALI Dimming (Integral)
				CCE Custom Color		PCL Polycarbonate Lens	
						ADJ Adjustable Arm, 15° tilt	
						BBUR Battery Backup, Remote	

### REMOTE DRIVER & BATTERY BACKUP

SERIES	VOLTAGE	CCT	CRI	LUMENS	FINISH	OPTICS	OPTIONS
FCW1030R <sup>1</sup>	UNV 120 - 277 VAC	27K 2700K	CRI85 85 CRI (Standard)	10L 1000 lm (19W)	BKE Black	SP Spot	LD 0-10V Dimming (1%) (Standard)
		3K 3000K	CRI90 90 CRI	14L 1350 lm (20W)	BRE Bronze	NFL Narrow Flood	DMX DMX Dimming (Remote)
		35K 3500K		17L 1700 lm (25W)	GRE Graphite Grey	FL Flood	DALI DALI Dimming (Remote)
		4K 4000K			SLE Silver	WFL Wide Flood	PCL Polycarbonate Lens
				WHE White		ADJ Adjustable Arm, 15° tilt	
				CCE Custom Color		BBUR <sup>1</sup> Battery Backup Remote (Indoor)	
						BBUX <sup>2</sup> Battery Backup Remote (Outdoor)	
						N/A Leave Blank for Remote Driver Only (without Battery Backup)	

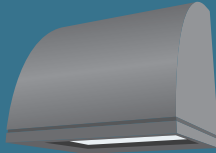
<sup>1</sup> LED DRIVER REMOTE (INDOOR) IP20, IK08, NEMA 1, -20°C to +50°C, 30' MAX Distance with 12AWG.

\*Consult factory for outdoor remote driver only.

<sup>1</sup> Battery Back-up & LED Driver Remote (INDOOR), IP20, IK08, NEMA 1, 0°C to +48°C, 30' MAX Distance with 12AWG (w/UNV Option Only)

<sup>2</sup> Battery Back-up & LED Driver Remote (OUTDOOR), IP67, IK10, NEMA 4X, -20°C to +55°C, 30' MAX Distance with 12AWG (w/UNV Option Only)

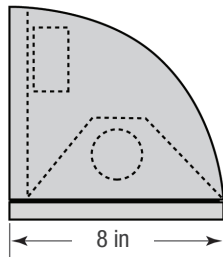
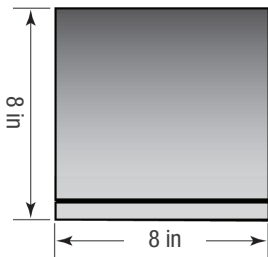
Due to continuous development and improvements, specifications are subject to change without notice. FC Lighting reserves the right to change lab test details or specifications without notice. Product use certifies agreement to FC Lighting terms and conditions. FCC Series Cylinder Lights are engineered and produced in our Illinois manufacturing facility.



# Dimensions

## PRODUCT DIMENSIONS - STANDARD PRODUCT

width (lens)	8" W
height	8" W
depth	8" D

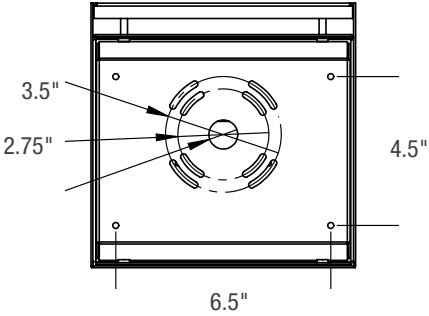


## MOUNTING - *j-box sold by others*

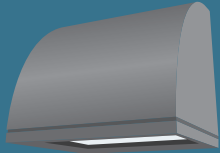
mounting cleat width	8" W
mounting cleat height	6" H

3.5" or 2.75"	mounting diameter
6.5" or 4.5"	mounting hole pattern

Mounting cleat:  
Mounts flush to J-Box  
surface and is included  
with fixture.



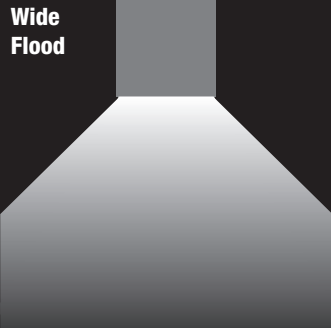
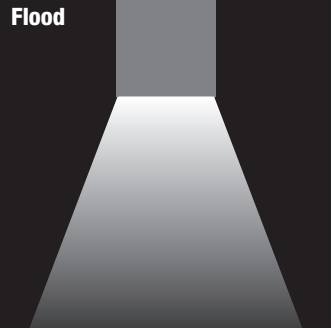
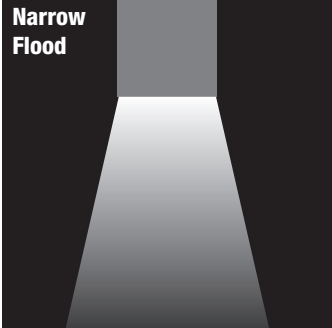
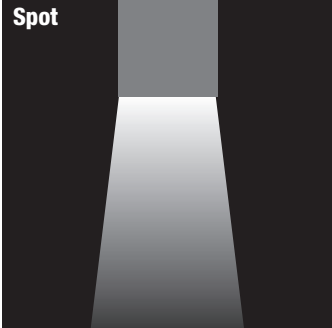
Due to continuous development and improvements, specifications are subject to change without notice. FC Lighting reserves the right to change lab test details or specifications without notice. Product use certifies agreement to FC Lighting terms and conditions. FCC Series Cylinder Lights are engineered and produced in our Illinois manufacturing facility.



# Photometry

FCW1030

FIND IES FILES ON FCLIGHTING.COM



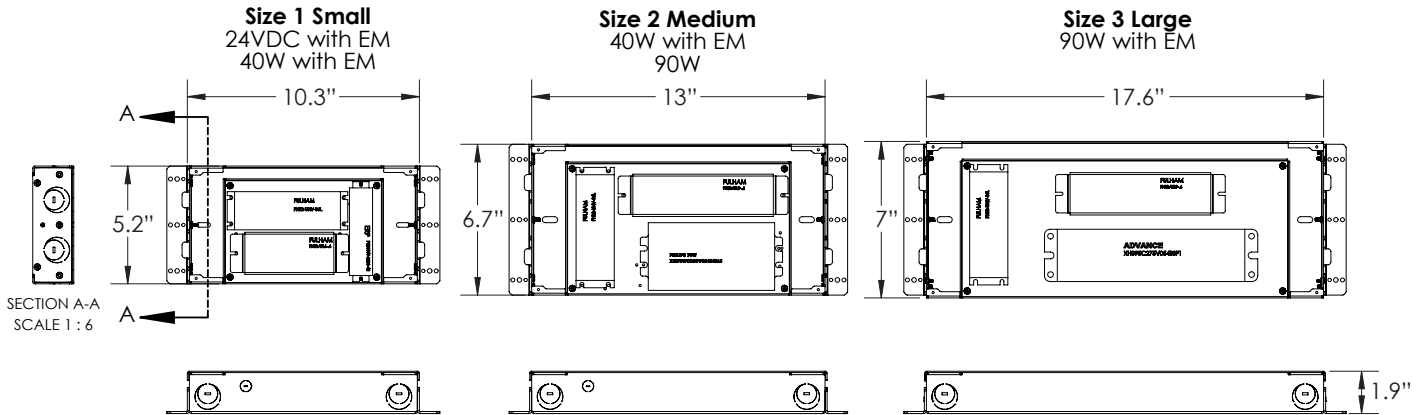
Due to continuous development and improvements, specifications are subject to change without notice. FC Lighting reserves the right to change lab test details or specifications without notice. Product use certifies agreement to FC Lighting terms and conditions. FCC Series Cylinder Lights are engineered and produced in our Illinois manufacturing facility.

 US Commercial Lighting Manufacturer Since 1982

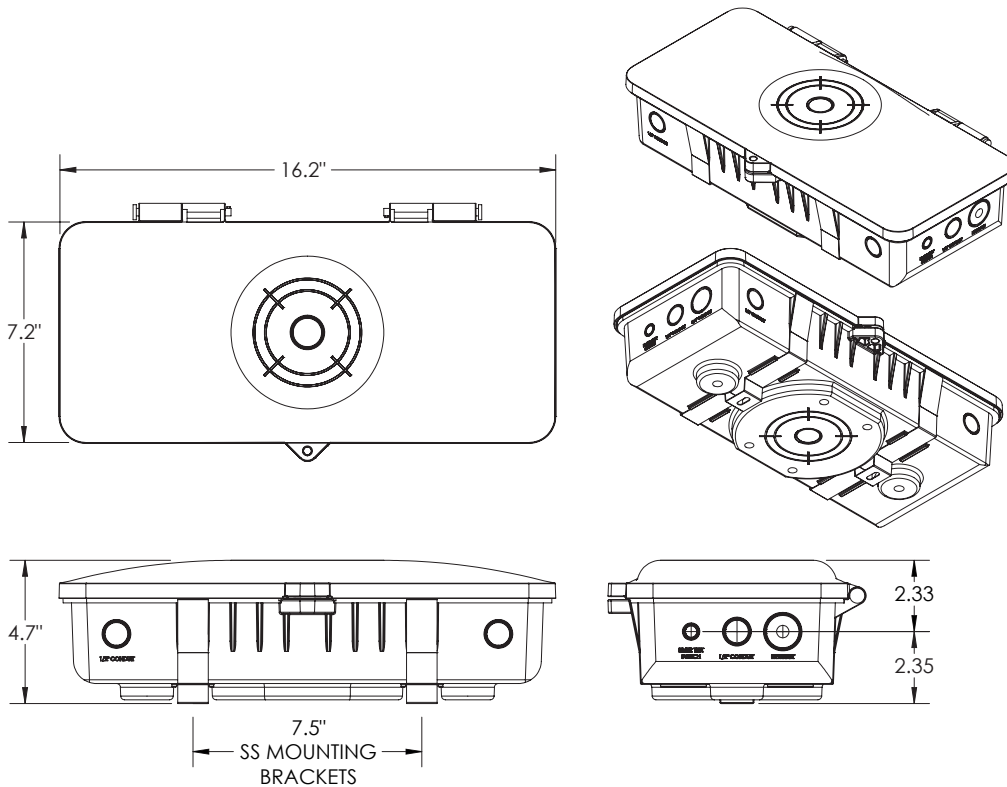
**Specification Sheet**

**BATTERY BACK-UPS**

**BBUR - BATTERY BACK-UP & LED DRIVER REMOTE (INDOOR), IP20, IK08, NEMA 1, 0°C to +48°C, 30' MAX Distance with 12AWG (w/UNV Option Only)**



**BBUX - BATTERY BACK-UP & LED DRIVER REMOTE (OUTDOOR), IP67, IK10, NEMA 4X, -20°C to +55°C, 30' MAX Distance with 12AWG (w/UNV Option Only)**



Due to continuous development and improvements, specifications are subject to change without notice. FC Lighting reserves the right to change lab test details or specifications without notice. Product use certifies agreement to FC Lighting terms and conditions. FCC Series Cylinder Lights are engineered and produced in our Illinois manufacturing facility.