

Date:	Approved:
Type:	
Fixture:	
Project:	

FCW1038



FCW1038 Directional Wall fixture is an up/down IP65 rated wall sconce. Corrosion resistant, die cast aluminum construction, this fixture provides ample lighting for outdoor spaces, walkways or other applications.



SPECIFICATIONS

PHYSICAL

dimensions	14.4" W x 6.9" H x 7.2" D
beam spread	Spot Narrow Flood Flood Wide Flood
weight	1 lbs
housing	Marine grade, corrosion resistant, heavy gauge aluminum
lens	Impact resistant, UV stabilized, opal, polycarbonate diffuser
mounting	Mounts directly to standard junction box; masonry applications use four (4) 0.25" x 0.75" screws with lead anchors (fasteners not included, j-box by others)
ingress protection	IP65 : dry, damp or wet locations with rubber silicone gasket to seal out contaminants
finish	Six stage chemical iron phosphate conversion pre-treatment. Polyester powder coat finish, 18 µm Min., 5000hr salt spray test (ASTM B117) compliant with Florida / AAMA 2604 specification.

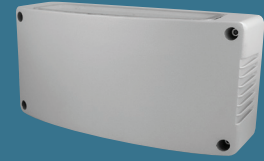
PERFORMANCE

color temperature	2700K	3000K	3500K	4000K
lumen output	1400 lm for one direction 2800 lm total for up and down			
lifetime	> 70,000 hours / L70 or better			
color consistency	3 SDCM / standard: 85 CRI optional: 90 CRI			
operating temperature	-13°F to 104°F (-25°C to 40°C)			
junction temperature	73°C @ T ^A 25°C			
warranty	5-Year limited warranty (refer to website for details)			

ELECTRICAL

input voltage	Universal 120 - 277 VAC optional: 347 VAC (Integral)
power supply	Integral Class II, electronic, high power factor > 94% @ 120V
certifications	ETL/cETL Listed, CEC Title 24 JA8 compliant (only 90CRI qualifies)
standards	UL1598/CSA C22.2 No. 250.0; UI 8750/CSA C22.2 No. 250.13/IES LM-79/LM-80
power consumption	28W Max @ 120 - 277 VAC maximum
dimming	Standard: 0-10V (1%) Optional: ELV (120V Only)

Due to continuous development and improvements, specifications are subject to change without notice. FC Lighting reserves the right to change lab test details or specifications without notice. Product use certifies agreement to FC Lighting terms and conditions. FCC Series Cylinder Lights are engineered and produced in our Illinois manufacturing facility.



Ordering Information

ORDERING INFORMATION

SERIES	VOLTAGE	CCT	CRI	LUMENS	FINISH	DIRECTION	OPTIONS
FCW1038	UNV UNV 120 - 277 VAC	27K 2700K	CRI85 85 CRI (Standard)	14L 1400 lm for one direction	BKE Black	DOWN UP	LD 0-10V Dimming
	120V 120 VAC	3K 3000K	CRI90 90 CRI		BRE Bronze	DNO No Light UNO	ELV ELV Dimming (120V Only)
	347V 347 VAC (Integral)	35K 3500K		28L 2800 lm total for up and down (28W)	GRE Graphite Grey	DSP Spot USP	
		4K 4000K			SLE Silver	DNFL Narrow Flood UNFL	
					WHE White	DFL Flood UFL	
					CCE Custom Color	DWFL Wide Flood UWFL	

REMOTE DRIVER & BATTERY BACKUP

SERIES	VOLTAGE	CCT	CRI	LUMENS	FINISH	DIRECTION	OPTIONS
FCW1038R ¹	UNV UNV 120 - 277 VAC	27K 2700K	CRI85 85 CRI (Standard)	14L 1400 lm for one direction	BKE Black	DOWN UP	LD 0-10V Dimming
		3K 3000K	CRI90 90 CRI		BRE Bronze	DNO No Light UNO	BBUR ¹ Battery Backup Remote (Indoor)
		35K 3500K		28L 2800 lm total for up and down (28W)	GRE Graphite Grey	DSP Spot USP	BBUX ² Battery Backup Remote (Outdoor)
		4K 4000K			SLE Silver	DNFL Narrow Flood UNFL	N/A Leave Blank for Remote Driver Only (without Battery Backup)
					WHE White	DFL Flood UFL	
					CCE Custom Color	DWFL Wide Flood UWFL	

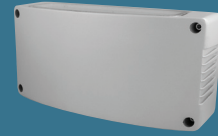
¹ LED DRIVER REMOTE (INDOOR) IP20, IK08, NEMA 1, -20°C to +50°C, 30' MAX Distance with 12AWG.

*Consult factory for outdoor remote driver only.

¹ Battery Back-up & LED Driver Remote (INDOOR), IP20, IK08, NEMA 1, 0°C to +48°C, 30' MAX Distance with 12AWG (w/UNV Option Only)

² Battery Back-up & LED Driver Remote (OUTDOOR), IP67, IK10, NEMA 4X, -20°C to +55°C, 30' MAX Distance with 12AWG (w/UNV Option Only)

Due to continuous development and improvements, specifications are subject to change without notice. FC Lighting reserves the right to change lab test details or specifications without notice. Product use certifies agreement to FC Lighting terms and conditions. FCC Series Cylinder Lights are engineered and produced in our Illinois manufacturing facility.



Dimensions

PRODUCT DIMENSIONS - STANDARD PRODUCT		MOUNTING - <i>j-box sold by others</i>	
width	14.4" W	conduit mounting	3.5" Ø
height	6.87" H		
depth	7.19" D		

3.5" or 2.75" **mounting diameter**

conduit mounting:
mounts flush to j-box
surface and is included
with fixture

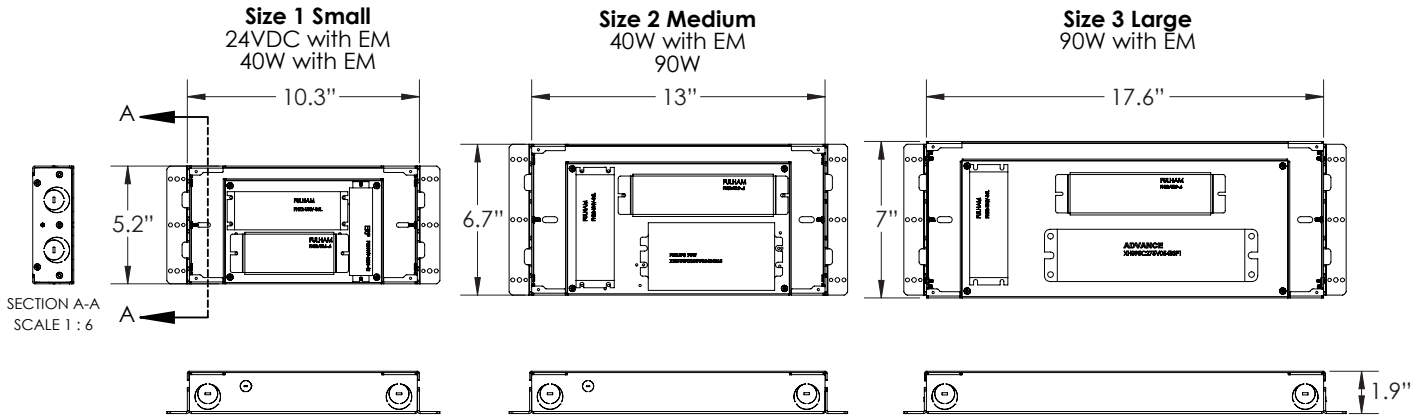
Due to continuous development and improvements, specifications are subject to change without notice. FC Lighting reserves the right to change lab test details or specifications without notice. Product use certifies agreement to FC Lighting terms and conditions. FCC Series Cylinder Lights are engineered and produced in our Illinois manufacturing facility.

 US Commercial Lighting Manufacturer Since 1982

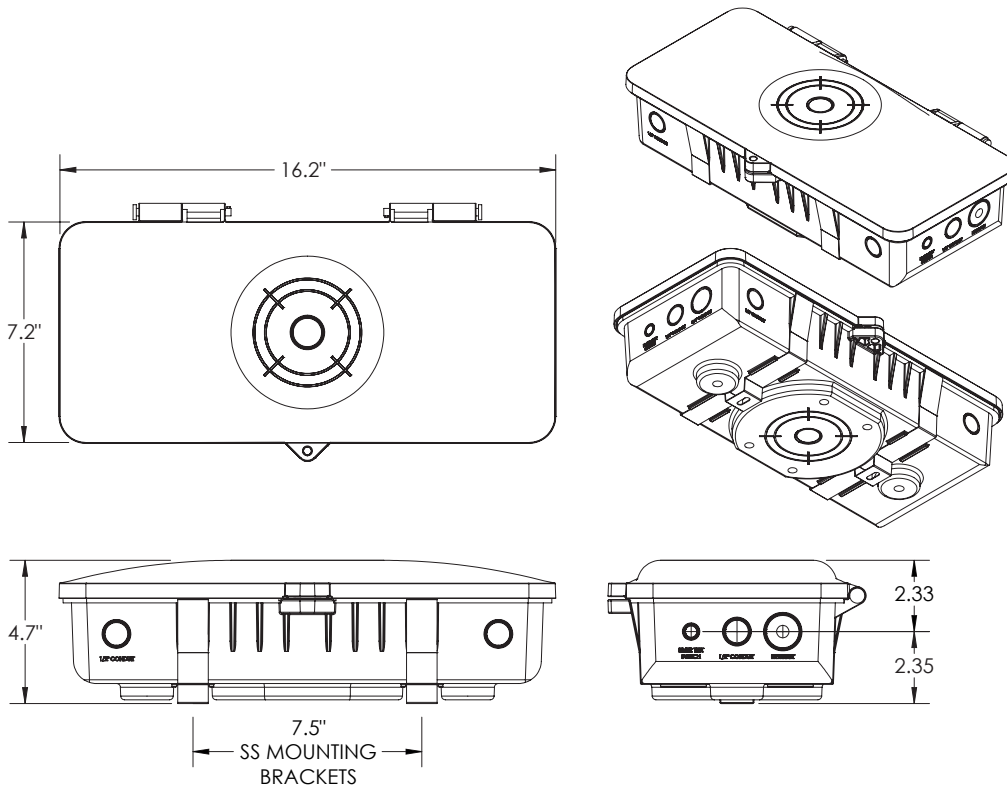
Specification Sheet

BATTERY BACK-UPS

BBUR - BATTERY BACK-UP & LED DRIVER REMOTE (INDOOR), IP20, IK08, NEMA 1, 0°C to +48°C, 30' MAX Distance with 12AWG (w/UNV Option Only)



BBUX - BATTERY BACK-UP & LED DRIVER REMOTE (OUTDOOR), IP67, IK10, NEMA 4X, -20°C to +55°C, 30' MAX Distance with 12AWG (w/UNV Option Only)



Due to continuous development and improvements, specifications are subject to change without notice. FC Lighting reserves the right to change lab test details or specifications without notice. Product use certifies agreement to FC Lighting terms and conditions. FCC Series Cylinder Lights are engineered and produced in our Illinois manufacturing facility.