

**Date:** \_\_\_\_\_ **Approved:** \_\_\_\_\_  
**Type:** \_\_\_\_\_  
**Fixture:** \_\_\_\_\_  
**Project:** \_\_\_\_\_

## FCW3350



**FCW3350** Exterior Decor fixture is a die-cast aluminum 10 inch square fixture and is IP65 rated. This ADA compliant, easy to install fixture has an impact resistant lens that provides ample lighting for a variety of ceiling, wall or surface applications.



### SPECIFICATIONS

#### PHYSICAL

|                           |  |
|---------------------------|--|
| <b>dimensions</b>         | 10.6" Square x 3" Deep   |
| <b>weight</b>             | 2.5 lbs  |
| <b>housing</b>            | Marine grade, corrosion resistant, heavy gauge high pressure die-cast aluminum; captive stainless steel tamper resistant hex head socket screws  |
| <b>lens</b>               | Impact and vandal resistant, UV stabilized, white opal, polycarbonate  |
| <b>mounting</b>           | Masonry applications use four (4) 0.25" x 0.75" screws with lead anchors (fasteners not included, j-box by others)   |
| <b>ingress protection</b> | IP65 Rated. Suitable for wet, damp or dry location application, with extruded silicone gasket to seal out contaminants   |
| <b>finish</b>             | Six stage chemical iron phosphate conversion pre-treatment. Polyester powder coat finish, 18 µm Min., 5000hr salt spray test (ASTM B117) compliant with Florida / AAMA 2604 specification. |

#### PERFORMANCE

|                              |  |       |       |       |
|------------------------------|--|-------|-------|-------|
| <b>color temperature</b>     | 2700K  | 3000K | 3500K | 4000K |
| <b>lumen output</b>          | 1180 lm   1650 lm   2400 lm   3100 lm                  |       |       |       |
| <b>lifetime</b>              | > 70,000 hours / L70 or better                         |       |       |       |
| <b>color consistency</b>     | 3 SDCM / standard: 85 CRI   optional: 90 CRI           |       |       |       |
| <b>operating temperature</b> | -13°F to 104°F (-25°C to 40°C)                         |       |       |       |
| <b>junction temperature</b>  | 73°C @ T <sup>A</sup> 25°C                             |       |       |       |
| <b>warranty</b>              | 5-Year limited warranty (refer to website for details) |       |       |       |

#### ELECTRICAL

|                          |   |
|--------------------------|---|
| <b>input voltage</b>     | Universal 120-277VAC   Optional: 347VAC (Integral)  |
| <b>power supply</b>      | Integral Class II, electronic high-power factor > 94% @120V                                   |
| <b>certifications</b>    | ETL/cETL Listed, CEC Title 24 JA8 compliant (Only 90 CRI complies), ADA Compliant             |
| <b>standards</b>         | UL 1598 / CSA C22.2 No. 250.0 - Class II UL8750 / CSA C22.2 No. 250.13 / IES LM-79 / LM-80    |
| <b>power consumption</b> | 41W @ 120V - 277V (Maximum)   |
| <b>dimming</b>           | <b>Standard:</b> 0-10V (1%)   <b>Optional:</b> ELV (120V Only) / DMX (Remote) / DALI (Remote) |

Due to continuous development and improvements, specifications are subject to change without notice. FC Lighting reserves the right to change lab test details or specifications without notice. Product use certifies agreement to FC Lighting terms and conditions. FCC Series Cylinder Lights are engineered and produced in our Illinois manufacturing facility.



# Ordering Information

## ORDERING INFORMATION

| FCW3350 |                       |           |                         |                   |                               |                                 |  |
|---------|-----------------------|-----------|-------------------------|-------------------|-------------------------------|---------------------------------|--|
| SERIES  | VOLTAGE               | CCT       | CRI                     | LUMENS            | FINISH                        | OPTIONS                         |  |
| FCW3350 | UNV UNV 120V-277V     | 27K 2700K | CRI85 85 CRI (Standard) | 12L 1180 lm (15W) | BKE Black (AAMA 2604)         | LD 0-10V Dimming, 1% (Standard) |  |
|         | 347V 347V (Integral)  | 3K 3000K  | CRI90 90 CRI            | 17L 1650 lm (21W) | BRE Bronze (AAMA 2604)        | ELV* ELV Dimming *(120V Only)   |  |
|         | 120V 120V (PE option) | 35K 3500K |                         | 24L 2400 lm (31W) | GRE Graphite Grey (AAMA 2604) | TPS Tamper Proof Screws         |  |
|         | 277V 277V (PE option) | 4K 4000K  |                         | 31L 3100 lm (41W) | SLE Silver (AAMA 2604)        | F Fused Line                    |  |
|         |                       |           |                         |                   | WHE White (AAMA 2604)         | CSM Conduit Surface Mount Box   |  |
|         |                       |           |                         |                   | CCE Custom Color (AAMA 2604)  | SP20 20kV Surge Protector       |  |
|         |                       |           |                         |                   |                               | PE120 Photo Eye for 120V        |  |
|         |                       |           |                         |                   |                               | PE277 Photo Eye for 277V        |  |

## REMOTE DRIVER & BATTERY BACKUP

| FCW3350R              | UNV               |           |                         |                   |                               |  |  |
|-----------------------|-------------------|-----------|-------------------------|-------------------|-------------------------------|--|--|
| SERIES                | VOLTAGE           | CCT       | CRI                     | LUMENS            | FINISH                        | OPTIONS  |  |
| FCW3350R <sup>†</sup> | UNV UNV 120V-277V | 27K 2700K | CRI85 85 CRI (Standard) | 12L 1180 lm (15W) | BKE Black (AAMA 2604)         | LD 0-10V Dimming, 1% (Standard)  |  |
|                       |                   | 3K 3000K  | CRI90 90 CRI            | 17L 1650 lm (21W) | BRE Bronze (AAMA 2604)        | DMX DMX Dimming (Remote Only)  |  |
|                       |                   | 35K 3500K |                         | 24L 2400 lm (31W) | GRE Graphite Grey (AAMA 2604) | DALI DALI Dimming (Remote Only)  |  |
|                       |                   | 4K 4000K  |                         | 31L 3100 lm (41W) | SLE Silver (AAMA 2604)        | TPS Tamper Proof Screws  |  |
|                       |                   |           |                         |                   | WHE White (AAMA 2604)         | F Fused Line (For Driver Only)   |  |
|                       |                   |           |                         |                   | CCE Custom Color (AAMA 2604)  | CSM Conduit Surface Mount Box  |  |
|                       |                   |           |                         |                   |                               | BBUR <sup>1</sup> Battery Backup Remote (Indoor)   |  |
|                       |                   |           |                         |                   |                               | SP20-BBUR (2) 20kV Surge Protectors (1/LED Driver, 1/BBUR) & Battery Backup, Remote (Indoor) |  |
|                       |                   |           |                         |                   |                               | BBUX <sup>2</sup> Battery Backup Remote (Outdoor)  |  |
|                       |                   |           |                         |                   |                               | SP20-BBUX (2) 20kV Surge Protectors (1/LED Driver, 1/BBU) & Battery Backup, Remote (Outdoor) |  |
|                       |                   |           |                         |                   |                               | N/A Leave Blank for Remote Driver Only (without Battery Backup)                              |  |

<sup>†</sup> LED DRIVER REMOTE (INDOOR) IP20, IK08, NEMA 1, -20°C to +50°C, 30' MAX Distance with 12AWG.

\*Consult factory for outdoor remote driver only.

<sup>1</sup> Battery Back-up & LED Driver Remote (INDOOR), IP20, IK08, NEMA 1, 0°C to +48°C, 30' MAX Distance with 12AWG (w/UNV Option Only)

<sup>2</sup> Battery Back-up & LED Driver Remote (OUTDOOR), IP67, IK10, NEMA 4X, -20°C to +55°C, 30' MAX Distance with 12AWG (w/UNV Option Only)

### Consult Factory for other options and configurations.

To ensure you receive proper configurations for your lighting specifications, contact us directly about any unique application requirements. This may include but not be limited to lumen output, mounting needs, or electrical requirements.

Due to continuous development and improvements, specifications are subject to change without notice. FC Lighting reserves the right to change lab test details or specifications without notice. Product use certifies agreement to FC Lighting terms and conditions. FCC Series Cylinder Lights are engineered and produced in our Illinois manufacturing facility.



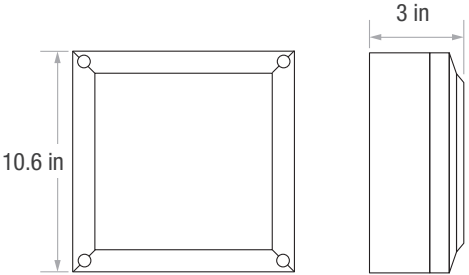
US Commercial Lighting Manufacturer Since 1982



# Dimensions

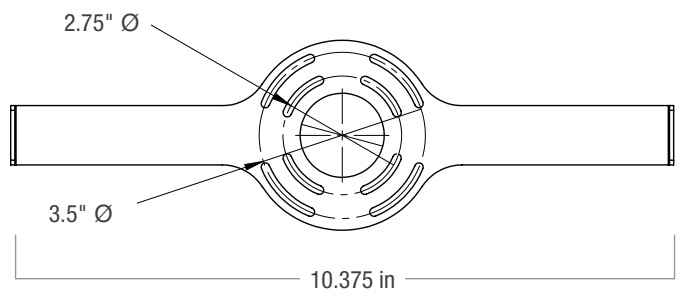
## PRODUCT DIMENSIONS - STANDARD PRODUCT

|       |         |
|-------|---------|
| width | 10.6" W |
| depth | 3" D    |



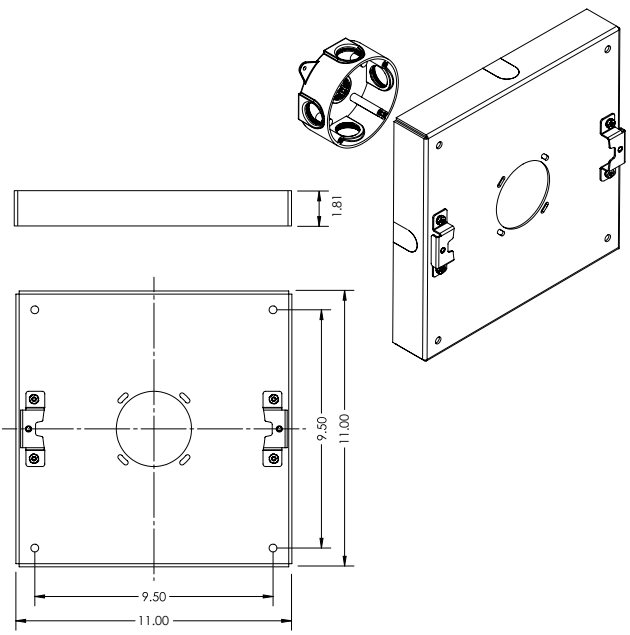
## MOUNTING - *j-box sold by others*

|                      |           |  |
|----------------------|-----------|--|
| mounting plate width | 10.375" W | Mounting plate mounts flush to surface, included with fixture. |
|----------------------|-----------|--|



3.5" or 2.75" mounting diameter

## CONDUIT SURFACE MOUNT (CSM)



Due to continuous development and improvements, specifications are subject to change without notice. FC Lighting reserves the right to change lab test details or specifications without notice. Product use certifies agreement to FC Lighting terms and conditions. FCC Series Cylinder Lights are engineered and produced in our Illinois manufacturing facility.

US Commercial Lighting Manufacturer Since 1982

**Specification Sheet**



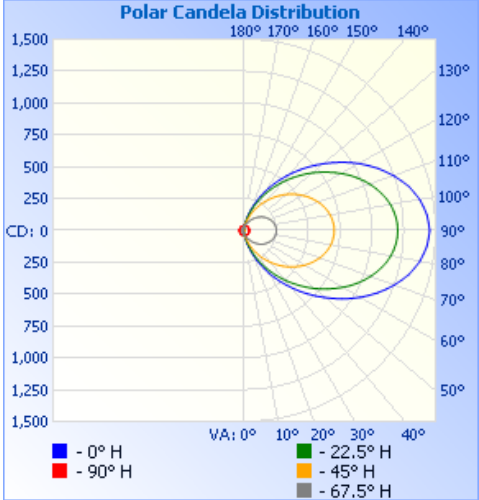
# Photometry

## OPTICAL DISTRIBUTION

|                          |                 |
|--------------------------|-----------------|
| <b>lumen output</b>      | 3100 lm @ 4000K |
| <b>power consumption</b> | 41W             |

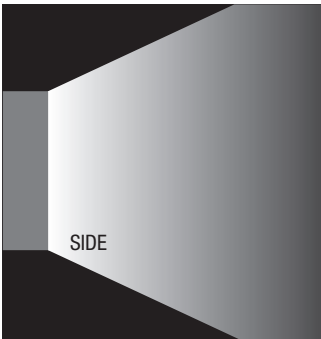
| Illuminance at a Distance |                |            |
|---------------------------|----------------|------------|
|                           | Center Beam fc | Beam Width |
| 1.7R                      | 13.4 fc        | 3.3 ft     |
| 3.3R                      | 3.55 fc        | 6.4 ft     |
| 5.0R                      | 1.55 fc        | 9.7 ft     |
| 6.7R                      | 0.86 fc        | 12.9 ft    |
| 8.3R                      | 0.56 fc        | 16.0 ft    |
| 10.0R                     | 0.39 fc        | 19.3 ft    |

■ Beam Spread: 88.0°



illuminations testing laboratory :

## FCW3350 FIND IES FILES ON FCLIGHTING.COM



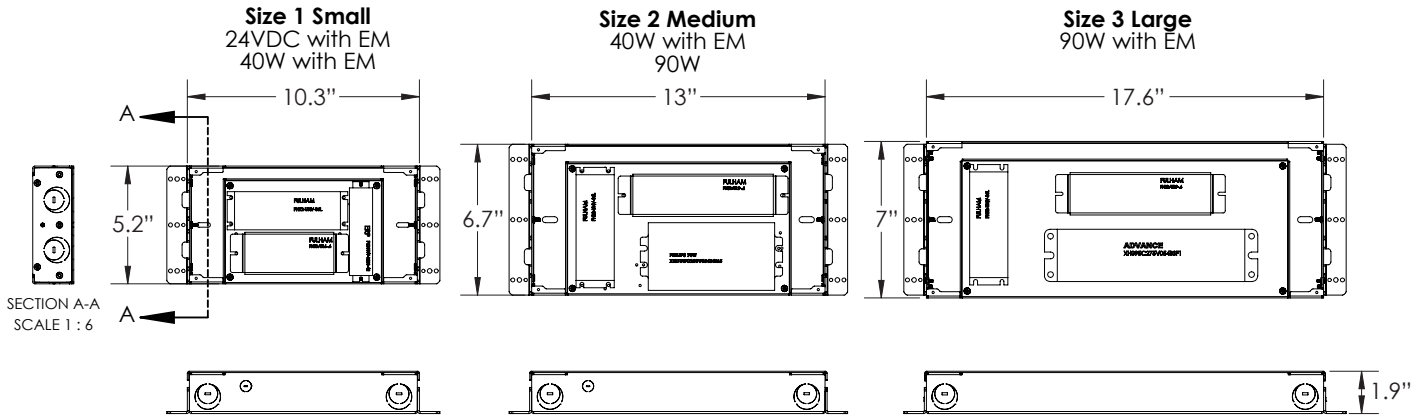
Due to continuous development and improvements, specifications are subject to change without notice. FC Lighting reserves the right to change lab test details or specifications without notice. Product use certifies agreement to FC Lighting terms and conditions. FCC Series Cylinder Lights are engineered and produced in our Illinois manufacturing facility.

US Commercial Lighting Manufacturer Since 1982

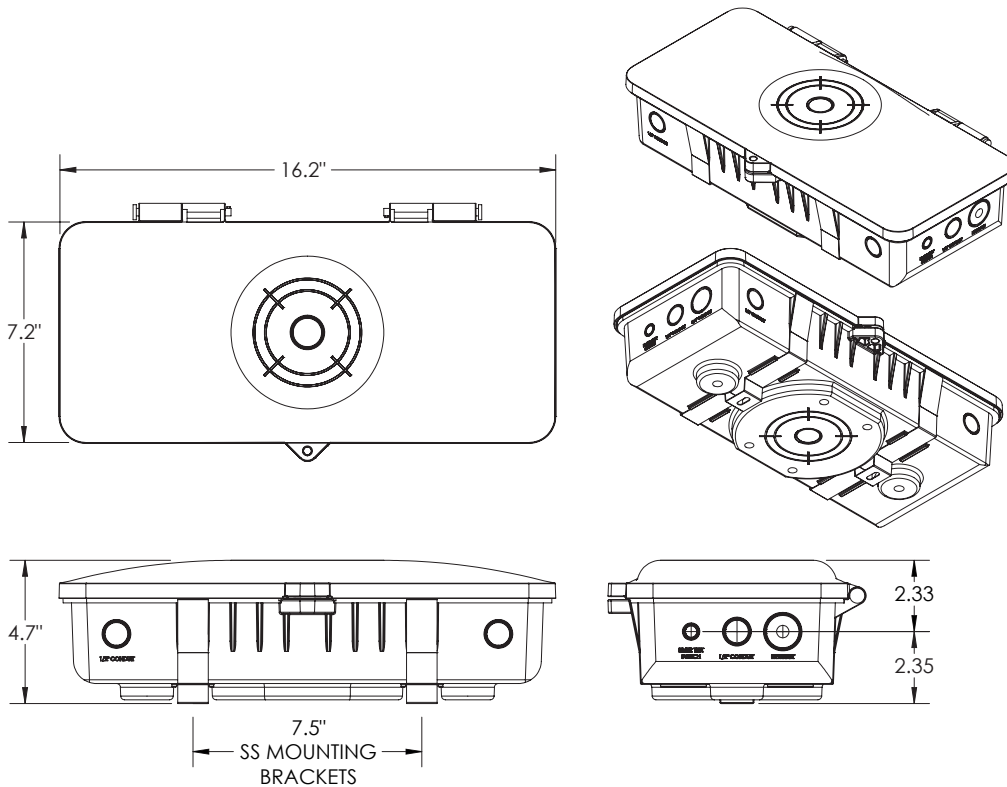
Specification Sheet

**BATTERY BACK-UPS**

**BBUR - BATTERY BACK-UP & LED DRIVER REMOTE (INDOOR), IP20, IK08, NEMA 1, 0°C to +48°C, 30' MAX Distance with 12AWG (w/UNV Option Only)**



**BBUX - BATTERY BACK-UP & LED DRIVER REMOTE (OUTDOOR), IP67, IK10, NEMA 4X, -20°C to +55°C, 30' MAX Distance with 12AWG (w/UNV Option Only)**



Due to continuous development and improvements, specifications are subject to change without notice. FC Lighting reserves the right to change lab test details or specifications without notice. Product use certifies agreement to FC Lighting terms and conditions. FCC Series Cylinder Lights are engineered and produced in our Illinois manufacturing facility.