

# FCW3352



<b>Date:</b>	<b>Approved:</b>
<b>Type:</b>	
<b>Fixture:</b>	
<b>Project:</b>	

**FCW3352** Exterior Decor fixture is a die-cast aluminum 10 inch square fixture and is IP65 rated. This ADA compliant, easy to install fixture has an impact resistant lens that provides ample lighting for a variety of ceiling, wall or surface applications.

## SPECIFICATIONS

PHYSICAL	
<b>dimensions</b>	10.6" Square x 3.5" Deep
<b>weight</b>	2.5 lbs
<b>housing</b>	Marine grade, corrosion resistant, heavy gauge high pressure die-cast aluminum; captive stainless steel tamper resistant hex head socket screws
<b>lens</b>	Impact and vandal resistant, UV stabilized, white opal, polycarbonate
<b>mounting</b>	Masonry applications use four (4) 0.25" x 0.75" screws with lead anchors (fasteners not included, j-box by others)
<b>ingress protection</b>	IP65 Rated. Suitable for wet, damp or dry location application, with extruded silicone gasket to seal out contaminants
<b>finish</b>	Six stage cleaning and saline pre-treatment. Super TGIC polyester powder coat finish, 18µm Min., 5000hr salt spray test (ASTM B117) compliant with Florida / AAMA 2604 specification.

PERFORMANCE				
<b>color temperature</b>	2700K	3000K	3500K	4000K
<b>lumen output</b>	700 lm	1050 lm	1550 lm	2050 lm
<b>lifetime</b>	> 70,000 hours / L70 or better			
<b>color consistency</b>	3 SDCM / standard: 85 CRI   optional: 90 CRI			
<b>operating temperature</b>	-40°F to 122°F (-40°C to 50°C)			
<b>junction temperature</b>	73°C @ T <sup>a</sup> 25°C			
<b>warranty</b>	5-Year limited warranty (refer to website for details)			

ELECTRICAL	
<b>input voltage</b>	Universal 120-277VAC   Optional: 347VAC (Integral)
<b>power supply</b>	Integral Class II, electronic high-power factor > 94% @120V
<b>certifications</b>	ETL/cETL Listed, CEC Title 24 JA8 compliant (Only 90 CRI complies), ADA Compliant
<b>standards</b>	UL 1598 / CSA C22.2 No. 250.0 - Class II UL8750 / CSA C22.2 No. 250.13 / IES LM-79 / LM-80
<b>power consumption</b>	41W @ 120V - 277V (Maximum)
<b>dimming</b>	Standard: 0-10V (1%)   Optional: ELV (120V Only) / DMX (Remote) / DALI (Remote)

Due to continuous development and improvements, specifications are subject to change without notice. FC Lighting reserves the right to change lab test details or specifications without notice. Product use certifies agreement to FC Lighting terms and conditions. FCC Series Cylinder Lights are engineered and produced in our Illinois manufacturing facility.



# Ordering Information

## ORDERING INFORMATION

FCW3352						
SERIES	VOLTAGE	CCT	CRI	LUMENS	FINISH	OPTIONS
FCW3352	UNV UNV 120V-277V	27K 2700K	CRI85 85 CRI (Standard)	7L 700 lm (14W)	BKE Black (AAMA 2604)	LD 0-10V Dimming, 1% (Standard)
	120V 120 Volts	3K 3000K	CRI90 90 CRI	11L 1050 lm (21W)	BRE Bronze (AAMA 2604)	ELV* ELV Dimming *(120V Only)
	347V 347V (Integral)	35K 3500K		16L 1550 lm (31W)	GRE Graphite Grey (AAMA 2604)	TPS Tamper Proof Screws
		4K 4000K		21L 2050 lm (41W)	SLE Silver (AAMA 2604)	F Fused Line
				WHE White (AAMA 2604)	CSM Conduit Surface Mount Box	
				CCE Custom Color (AAMA 2604)	SP20 20kV Surge Protector	

## REMOTE DRIVER & BATTERY BACKUP

FCW3352R	UNV					
SERIES	VOLTAGE	CCT	CRI	LUMENS	FINISH	OPTIONS
FCW3352R <sup>1</sup>	UNV UNV 120V-277V	27K 2700K	CRI85 85 CRI (Standard)	12L 1180 lm (15W)	BKE Black (AAMA 2604)	LD 0-10V Dimming, 1% (Standard)
		3K 3000K	CRI90 90 CRI	17L 1650 lm (21W)	BRE Bronze (AAMA 2604)	DMX DMX Dimming (Remote Only)
		35K 3500K		24L 2400 lm (31W)	GRE Graphite Grey (AAMA 2604)	DALI DALI Dimming (Remote Only)
		4K 4000K		31L 3100 lm (41W)	SLE Silver (AAMA 2604)	TPS Tamper Proof Screws
					WHE White (AAMA 2604)	F Fused Line (For Driver Only)
					CCE Custom Color (AAMA 2604)	CSM Conduit Surface Mount Box

<sup>1</sup> LED DRIVER REMOTE (INDOOR) IP20, IK08, NEMA 1, -20°C to +50°C, 30' MAX Distance with 12AWG.

\*Consult factory for outdoor remote driver only.

<sup>1</sup> Battery Back-up & LED Driver Remote (INDOOR), IP20, IK08, NEMA 1, 0°C to +48°C, 30' MAX Distance with 12AWG (w/UNV Option Only)

<sup>2</sup> Battery Back-up & LED Driver Remote (OUTDOOR), IP67, IK10, NEMA 4X, -20°C to +55°C, 30' MAX Distance with 12AWG (w/UNV Option Only)

- BBUR<sup>1</sup> Battery Backup Remote (Indoor)
- SP20-BBUR (2) 20kV Surge Protectors (1/LED Driver, 1/BBUR) & Battery Backup, Remote (Indoor)
- BBUX<sup>2</sup> Battery Backup Remote (Outdoor)
- SP20-BBUX (2) 20kV Surge Protectors (1/LED Driver, 1/BBU) & Battery Backup, Remote (Outdoor)
- N/A Leave Blank for Remote Driver Only (without Battery Backup)

### Consult Factory for other options and configurations.

To ensure you receive proper configurations for your lighting specifications, contact us directly about any unique application requirements. This may include but not be limited to lumen output, mounting needs, or electrical requirements.

Due to continuous development and improvements, specifications are subject to change without notice. FC Lighting reserves the right to change lab test details or specifications without notice. Product use certifies agreement to FC Lighting terms and conditions. FCC Series Cylinder Lights are engineered and produced in our Illinois manufacturing facility.



# Dimensions

PRODUCT DIMENSIONS - STANDARD PRODUCT		MOUNTING - <i>j-box sold by others</i>	
width	10.6" W	mounting plate width	10.375" W
depth	3.5" D	Mounting plate mounts flush to surface, included with fixture.	

10.6 in

3.5 in

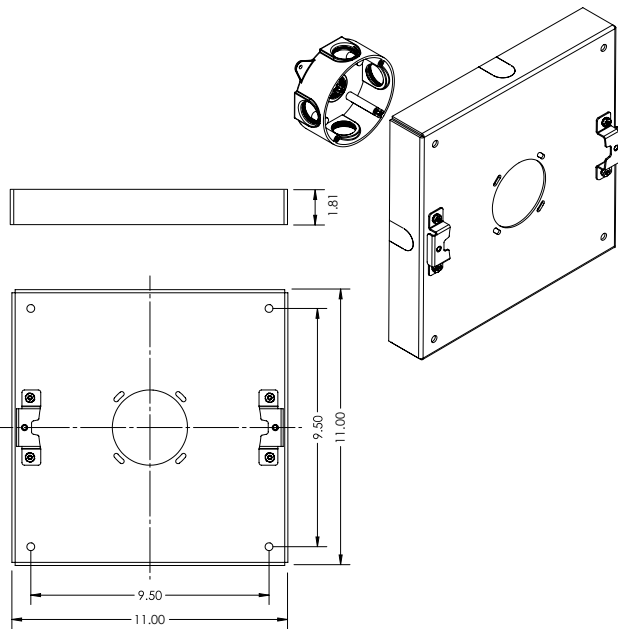
2.75" Ø

3.5" Ø

10.375 in

3.5" or 2.75" mounting diameter

## CONDUIT SURFACE MOUNT (CSM)



Due to continuous development and improvements, specifications are subject to change without notice. FC Lighting reserves the right to change lab test details or specifications without notice. Product use certifies agreement to FC Lighting terms and conditions. FCC Series Cylinder Lights are engineered and produced in our Illinois manufacturing facility.



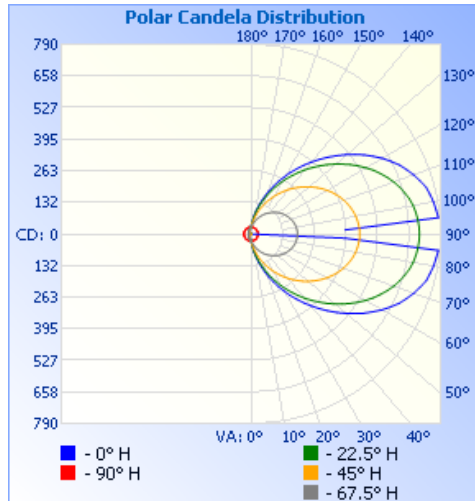
# Photometry

## OPTICAL DISTRIBUTION

<b>lumen output</b>	2050 lm @ 4000K
<b>power consumption</b>	41W

Illuminance at a Distance			
	Center Beam fc	Beam Width	
1.7R	10.1 fc	4.0 ft	1.5 ft
3.3R	2.67 fc	7.8 ft	2.9 ft
5.0R	1.16 fc	11.8 ft	4.4 ft
6.7R	0.65 fc	15.9 ft	5.9 ft
8.3R	0.42 fc	19.7 ft	7.3 ft
10.0R	0.29 fc	23.7 ft	8.8 ft

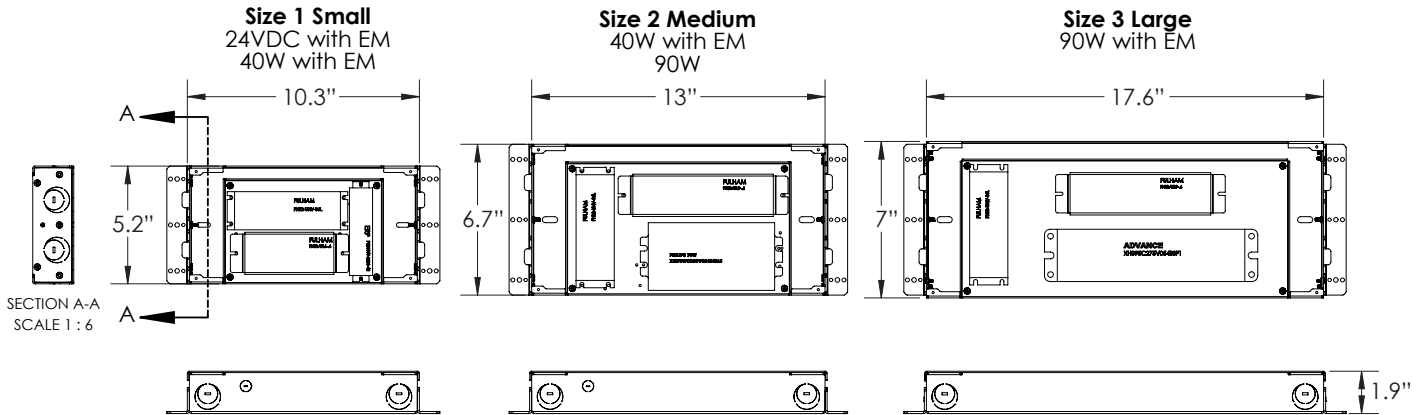
■ Vert. Spread: 99.7°  
■ Horiz. Spread: 47.5°



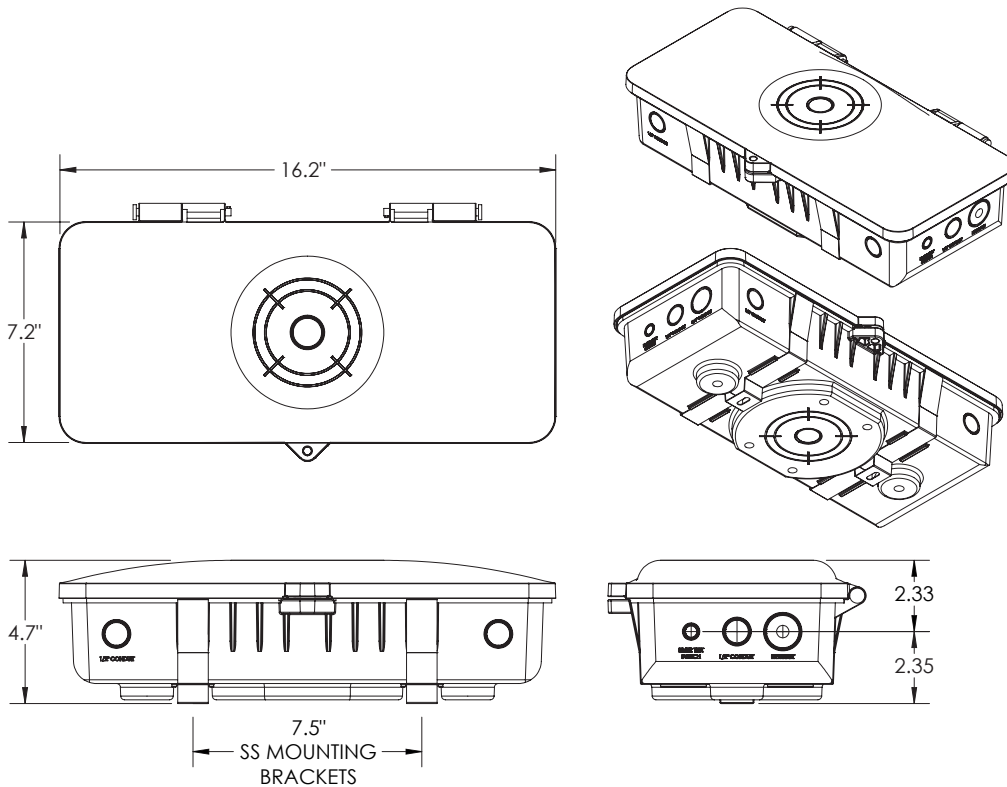
Due to continuous development and improvements, specifications are subject to change without notice. FC Lighting reserves the right to change lab test details or specifications without notice. Product use certifies agreement to FC Lighting terms and conditions. FCC Series Cylinder Lights are engineered and produced in our Illinois manufacturing facility.

**BATTERY BACK-UPS**

**BBUR - BATTERY BACK-UP & LED DRIVER REMOTE (INDOOR), IP20, IK08, NEMA 1, 0°C to +48°C, 30' MAX Distance with 12AWG (w/UNV Option Only)**



**BBUX - BATTERY BACK-UP & LED DRIVER REMOTE (OUTDOOR), IP67, IK10, NEMA 4X, -20°C to +55°C, 30' MAX Distance with 12AWG (w/UNV Option Only)**



Due to continuous development and improvements, specifications are subject to change without notice. FC Lighting reserves the right to change lab test details or specifications without notice. Product use certifies agreement to FC Lighting terms and conditions. FCC Series Cylinder Lights are engineered and produced in our Illinois manufacturing facility.