

FCW3353



Date:	Approved:
Type:	
Fixture:	
Project:	

FCW3353 Exterior Decor fixture is die-cast aluminum 10 inch square fixture and is IP65 rated. This ADA compliant, easy to install fixture has an impact resistant lens that provides ample lighting for a variety of ceiling, wall or surface applications.

SPECIFICATIONS

PHYSICAL

dimensions	10.6" Square x 4" Deep
weight	2.5 lbs
housing	Marine grade, corrosion resistant, heavy gauge high pressure die-cast aluminum; captive stainless steel tamper resistant hex head socket screws
lens	Impact and vandal resistant, UV stabilized, white opal, polycarbonate
mounting	Masonry applications use four (4) 0.25" x 0.75" screws with lead anchors (fasteners not included, j-box by others)
ingress protection	IP65 Rated. Suitable for wet, damp or dry location application, with extruded silicone gasket to seal out contaminants
finish	Six stage chemical iron phosphate conversion pre-treatment. Polyester powder coat finish, 18 µm Min., 5000hr salt spray test (ASTM B117) compliant with Florida / AAMA 2604 specification.

PERFORMANCE

color temperature	2700K	3000K	3500K	4000K
lumen output	1100 lm	1650 lm	2375 lm	3000 lm
lifetime	> 70,000 hours / L70 or better			
color consistency	3 SDCM / standard: 85 CRI optional: 90 CRI			
operating temperature	-13°F to 104°F (-25°C to 40°C)			
junction temperature	73°C @ T ^a 25°C			
warranty	5-Year limited warranty (refer to website for details)			

ELECTRICAL

input voltage	Universal 120-277VAC Optional: 347VAC (Integral)
power supply	Integral Class II, electronic high-power factor > 94% @120V
certifications	ETL/cETL Listed, CEC Title 24 JA8 compliant (Only 90 CRI complies), ADA Compliant
standards	UL 1598 / CSA C22.2 No. 250.0 - Class II UL8750 / CSA C22.2 No. 250.13 / IES LM-79 / LM-80
power consumption	41W @ 120V - 277V (Maximum)
dimming	Standard: 0-10V (1%) Optional: ELV (120V Only) / DMX (Remote) / DALI (Remote)

Due to continuous development and improvements, specifications are subject to change without notice. FC Lighting reserves the right to change lab test details or specifications without notice. Product use certifies agreement to FC Lighting terms and conditions. FCC Series Cylinder Lights are engineered and produced in our Illinois manufacturing facility.



Ordering Information

ORDERING INFORMATION

FCW3353							
SERIES	VOLTAGE	CCT	CRI	LUMENS	FINISH	OPTIONS	
FCW3353	UNV UNV 120V-277V	27K 2700K	CRI85 85 CRI (Standard)	11L 1100 lm (14W)	BKE Black (AAMA 2604)	LD 0-10V Dimming, 1% (Standard)	
	120V 120 Volts	3K 3000K	CRI90 90 CRI	17L 1650 lm (21W)	BRE Bronze (AAMA 2604)	ELV* ELV Dimming *(120V Only)	
	347V 347V (Integral)	35K 3500K		24L 2375 lm (31W)	GRE Graphite Grey (AAMA 2604)	TPS Tamper Proof Screws	
		4K 4000K		30L 3000 lm (41W)	SLE Silver (AAMA 2604)	F Fused Line	
					WHE White (AAMA 2604)	CSM Conduit Surface Mount Box	
					CCE Custom Color (AAMA 2604)	SP20 20kV Surge Protector	

REMOTE DRIVER & BATTERY BACKUP

FCW3353R	UNV						
SERIES	VOLTAGE	CCT	CRI	LUMENS	FINISH	OPTIONS	
FCW3353R [†]	UNV UNV 120V-277V	27K 2700K	CRI85 85 CRI (Standard)	11L 1100 lm (14W)	BKE Black (AAMA 2604)	LD 0-10V Dimming, 1% (Standard)	
		3K 3000K	CRI90 90 CRI	17L 1650 lm (21W)	BRE Bronze (AAMA 2604)	DMX DMX Dimming (Remote Only)	
		35K 3500K		24L 2375 lm (31W)	GRE Graphite Grey (AAMA 2604)	DALI DALI Dimming (Remote Only)	
		4K 4000K		30L 3000 lm (41W)	SLE Silver (AAMA 2604)	TPS Tamper Proof Screws	
					WHE White (AAMA 2604)	F Fused Line (For Driver Only)	
					CCE Custom Color (AAMA 2604)	CSM Conduit Surface Mount Box	

[†] LED DRIVER REMOTE (INDOOR) IP20, IK08, NEMA 1, -20°C to +50°C, 30' MAX Distance with 12AWG.

*Consult factory for outdoor remote driver only.

¹ Battery Back-up & LED Driver Remote (INDOOR), IP20, IK08, NEMA 1, 0°C to +48°C, 30' MAX Distance with 12AWG (w/UNV Option Only)

² Battery Back-up & LED Driver Remote (OUTDOOR), IP67, IK10, NEMA 4X, -20°C to +55°C, 30' MAX Distance with 12AWG (w/UNV Option Only)

- BBUR¹** Battery Backup Remote (Indoor)
- SP20-BBUR** (2) 20kV Surge Protectors (1/LED Driver, 1/BBUR) & Battery Backup, Remote (Indoor)
- BBUX²** Battery Backup Remote (Outdoor)
- SP20-BBUX** (2) 20kV Surge Protectors (1/LED Driver, 1/BBUR) & Battery Backup, Remote (Outdoor)
- N/A** Leave Blank for Remote Driver Only (without Battery Backup)

Consult Factory for other options and configurations.

To ensure you receive proper configurations for your lighting specifications, contact us directly about any unique application requirements. This may include but not be limited to lumen output, mounting needs, or electrical requirements.

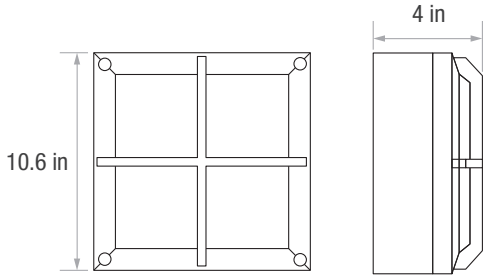
Due to continuous development and improvements, specifications are subject to change without notice. FC Lighting reserves the right to change lab test details or specifications without notice. Product use certifies agreement to FC Lighting terms and conditions. FCC Series Cylinder Lights are engineered and produced in our Illinois manufacturing facility.



Dimensions

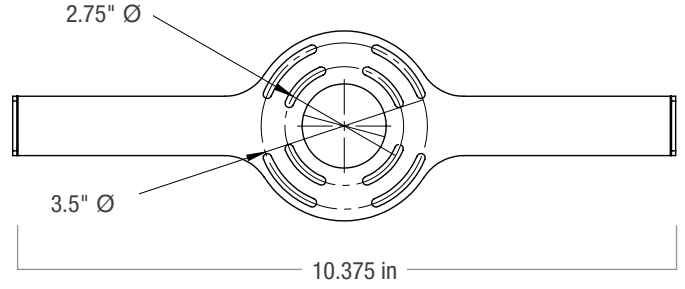
PRODUCT DIMENSIONS - STANDARD PRODUCT

width	10.6" W
depth	4" D



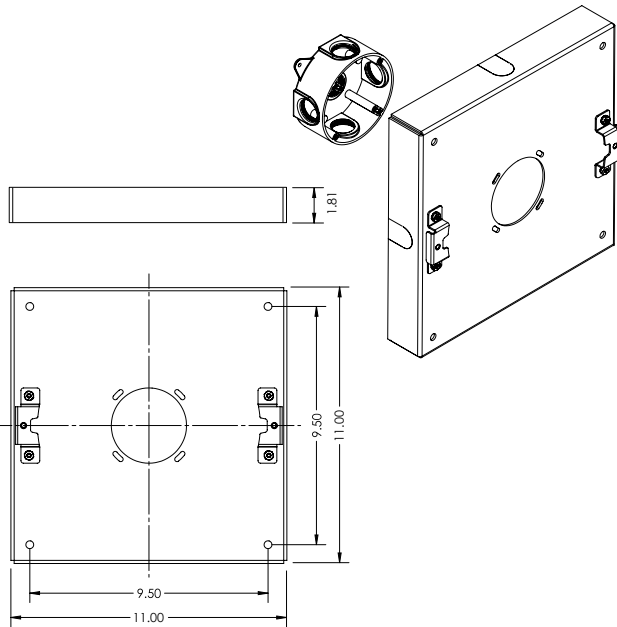
MOUNTING - *j-box sold by others*

mounting plate width	10.375" W	Mounting plate mounts flush to surface, included with fixture.
----------------------	-----------	--



3.5" or 2.75" mounting diameter

CONDUIT SURFACE MOUNT (CSM)



Due to continuous development and improvements, specifications are subject to change without notice. FC Lighting reserves the right to change lab test details or specifications without notice. Product use certifies agreement to FC Lighting terms and conditions. FCC Series Cylinder Lights are engineered and produced in our Illinois manufacturing facility.

 US Commercial Lighting Manufacturer Since 1982

Specification Sheet



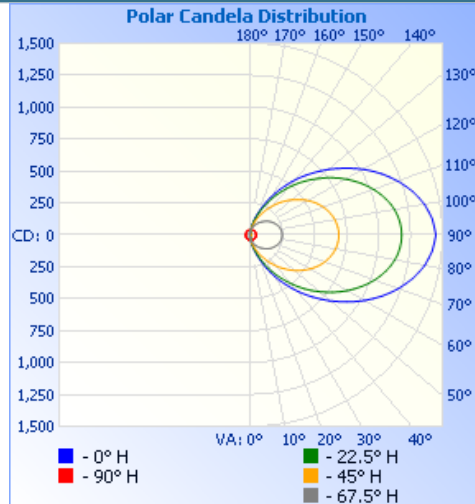
Photometry

OPTICAL DISTRIBUTION

lumen output	3000 lm @ 4000K
power consumption	41W

	Illuminance at a Distance	
	Center Beam fc	Beam Width
1.7R	14.1 fc	3.2 ft 3.2 ft
3.3R	3.75 fc	6.2 ft 6.2 ft
5.0R	1.63 fc	9.5 ft 9.4 ft
6.7R	0.91 fc	12.7 ft 12.7 ft
8.3R	0.59 fc	15.7 ft 15.7 ft
10.0R	0.41 fc	18.9 ft 18.9 ft

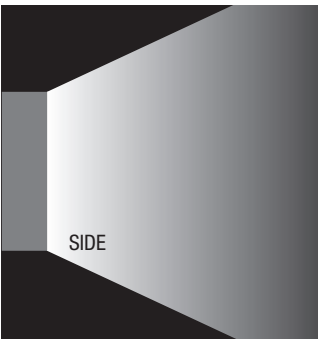
■ Vert. Spread: 86.8°
■ Horiz. Spread: 86.7°



illuminations testing laboratory :

FCW3353

FIND IES FILES ON FCLIGHTING.COM



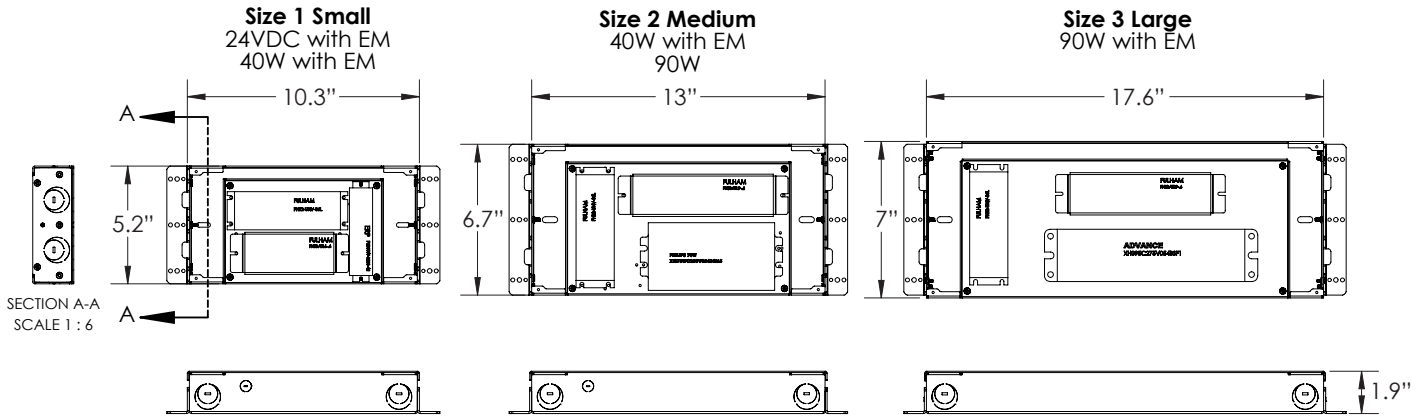
Due to continuous development and improvements, specifications are subject to change without notice. FC Lighting reserves the right to change lab test details or specifications without notice. Product use certifies agreement to FC Lighting terms and conditions. FCC Series Cylinder Lights are engineered and produced in our Illinois manufacturing facility.

 US Commercial Lighting Manufacturer Since 1982

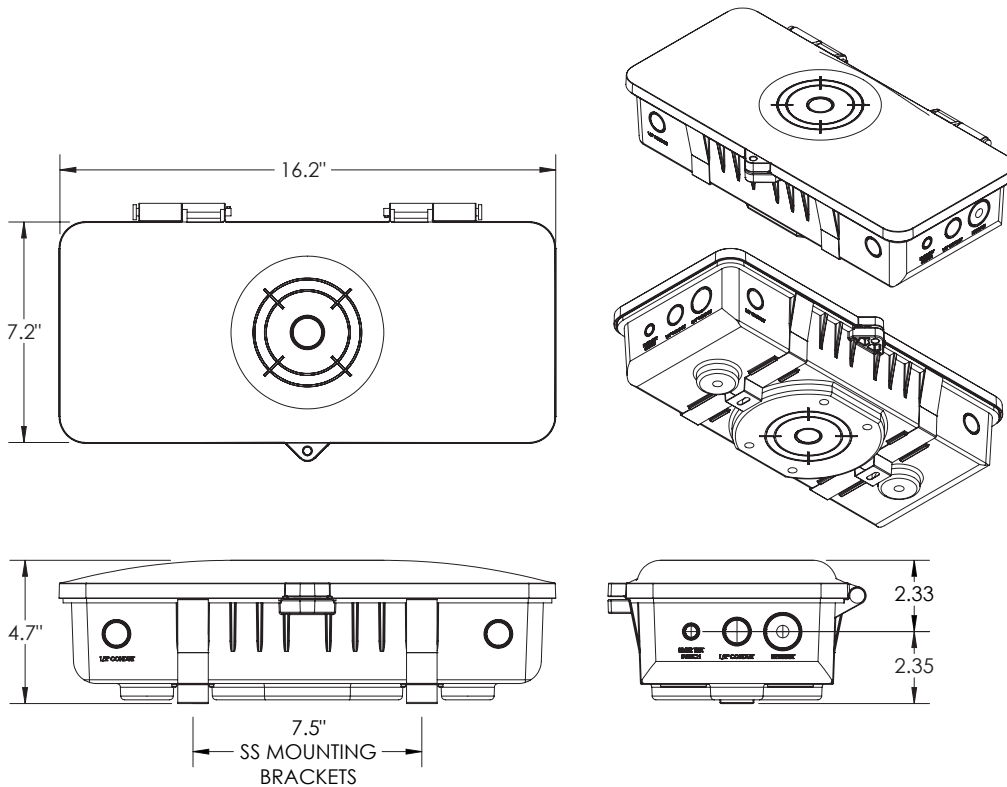
Specification Sheet

BATTERY BACK-UPS

BBUR - BATTERY BACK-UP & LED DRIVER REMOTE (INDOOR), IP20, IK08, NEMA 1, 0°C to +48°C, 30' MAX Distance with 12AWG (w/UNV Option Only)



BBUX - BATTERY BACK-UP & LED DRIVER REMOTE (OUTDOOR), IP67, IK10, NEMA 4X, -20°C to +55°C, 30' MAX Distance with 12AWG (w/UNV Option Only)



Due to continuous development and improvements, specifications are subject to change without notice. FC Lighting reserves the right to change lab test details or specifications without notice. Product use certifies agreement to FC Lighting terms and conditions. FCC Series Cylinder Lights are engineered and produced in our Illinois manufacturing facility.