

**Date:** \_\_\_\_\_

**Type:** \_\_\_\_\_

**Fixture:** \_\_\_\_\_

**Project:** \_\_\_\_\_

**Approved:**

## FCW3360



**FCW3360** Exterior Decor fixture is a die-cast aluminum 14 inch square fixture and is IP65 rated. This ADA compliant, easy to install fixture has an impact resistant lens that provides ample lighting for a variety of ceiling, wall or surface applications.



### SPECIFICATIONS

#### PHYSICAL

<b>dimensions</b>	14.17" Square x 5.2" Deep
<b>weight</b>	4.5 lbs
<b>housing</b>	Marine grade, corrosion resistant, heavy gauge high pressure die-cast aluminum; captive stainless steel tamper resistant hex head socket screws
<b>lens</b>	Impact and vandal resistant, UV stabilized, white opal, polycarbonate
<b>mounting</b>	Masonry applications use four (4) 0.25" x 0.75" screws with lead anchors (fasteners not included, j-box by others)
<b>ingress protection</b>	IP65 Rated. Suitable for wet, damp or dry location application, with extruded silicone gasket to seal out contaminants
<b>finish</b>	Six stage chemical iron phosphate conversion pre-treatment. Polyester powder coat finish, 18 µm Min., 5000hr salt spray test (ASTM B117) compliant with Florida / AAMA 2604 specification.

#### PERFORMANCE

<b>color temperature</b>	2700K	3000K	3500K	4000K	
<b>lumen output</b>	1100 lm	1600 lm	2550 lm	3800 lm	5100 lm
<b>lifetime</b>	> 70,000 hours / L70 or better				
<b>color consistency</b>	3 SDCM / standard: 85 CRI   optional: 90 CRI				
<b>operating temperature</b>	-13°F to 104°F (-25°C to 40°C)				
<b>junction temperature</b>	73°C @ T <sup>a</sup> 25°C				
<b>warranty</b>	5-Year limited warranty (refer to website for details)				

#### ELECTRICAL

<b>input voltage</b>	Universal 120-277VAC   Optional: 347VAC (Integral)
<b>power supply</b>	Integral Class II, electronic high-power factor > 94% @120V
<b>certifications</b>	ETL/cETL Listed, CEC Title 24 JA8 compliant (Only 90 CRI complies)
<b>standards</b>	UL 1598 / CSA C22.2 No. 250.0 - Class II UL8750 / CSA C22.2 No. 250.13 / IES LM-79 / LM-80
<b>power consumption</b>	59W @ 120V - 277V (Max)
<b>dimming</b>	<b>Standard:</b> 0-10V (1%)   <b>Optional:</b> ELV (120V Only) / DMX (Integral) / DALI (Integral)

Due to continuous development and improvements, specifications are subject to change without notice. FC Lighting reserves the right to change lab test details or specifications without notice. Product use certifies agreement to FC Lighting terms and conditions. FCC Series Cylinder Lights are engineered and produced in our Illinois manufacturing facility.



# Ordering Information

## ORDERING INFORMATION

FCW3360						
SERIES	VOLTAGE	CCT	CRI	LUMENS	FINISH	OPTIONS
FCW3360	UNV UNV 120V-277V	27K 2700K	CRI85 85 CRI (Standard)	11L 1100 lm (13W)	BKE Black (AAMA 2604)	LD 0-10V Dimming, 1% (Standard)
	120V 120 Volts	3K 3000K	CRI90 90 CRI	16L 1600 lm (19W)	BRE Bronze (AAMA 2604)	ELV* ELV Dimming *(120V Only)
	347V 347V Integral)	35K 3500K		26L 2550 lm (29W)	GRE Graphite Grey (AAMA 2604)	TPS Tamper Proof Screws
		4K 4000K		38L 3800 lm (45W)	SLE Silver (AAMA 2604)	F Fused Line
				51L 5100 lm (59W)	WHE White (AAMA 2604)	CSM Conduit Surface Mount Box
					CCE Custom Color (AAMA 2604)	SP20 20kV Surge Protector
						BBU Battery Backup, Integral
						SP20-BBU (2) 20kV Surge Protectors (1/LED Driver, 1/BBU) & Battery Backup

## REMOTE DRIVER & BATTERY BACKUP

FCW3360R	UNV					
SERIES	VOLTAGE	CCT	CRI	LUMENS	FINISH	OPTIONS
FCW3360R <sup>1</sup>	UNV UNV 120V-277V	27K 2700K	CRI85 85 CRI (Standard)	11L 1100 lm (13W)	BKE Black (AAMA 2604)	LD 0-10V Dimming, 1% (Standard)
		3K 3000K	CRI90 90 CRI	16L 1600 lm (19W)	BRE Bronze (AAMA 2604)	DMX DMX Dimming (Remote Only)
		35K 3500K		26L 2550 lm (29W)	GRE Graphite Grey (AAMA 2604)	DALI DALI Dimming (Remote Only)
		4K 4000K		38L 3800 lm (45W)	SLE Silver (AAMA 2604)	TPS Tamper Proof Screws
				51L 5100 lm (59W)	WHE White (AAMA 2604)	F Fused Line (For Driver Only)
					CCE Custom Color (AAMA 2604)	CSM Conduit Surface Mount Box
						BBUR <sup>1</sup> Battery Backup Remote (Indoor)
						SP20-BBUR (2) 20kV Surge Protectors (1/LED Driver, 1/BBUR) & Battery Backup, Remote (Indoor)
						BBUX <sup>2</sup> Battery Backup Remote (Outdoor)
						SP20-BBUX (2) 20kV Surge Protectors (1/LED Driver, 1/BBUR) & Battery Backup, Remote (Outdoor)
						N/A Leave Blank for Remote Driver Only (without Battery Backup)

<sup>1</sup> LED DRIVER REMOTE (INDOOR) IP20, IK08, NEMA 1, -20°C to +50°C, 30' MAX Distance with 12AWG.

\* Consult factory for outdoor remote driver only.

<sup>1</sup> Battery Back-up & LED Driver Remote (INDOOR), IP20, IK08, NEMA 1, 0°C to +48°C, 30' MAX Distance with 12AWG (w/UNV Option Only)

<sup>2</sup> Battery Back-up & LED Driver Remote (OUTDOOR), IP67, IK10, NEMA 4X, -20°C to +55°C, 30' MAX Distance with 12AWG (w/UNV Option Only)

### Consult Factory for other options and configurations.

To ensure you receive proper configurations for your lighting specifications, contact us directly about any unique application requirements. This may include but not be limited to lumen output, mounting needs, or electrical requirements.

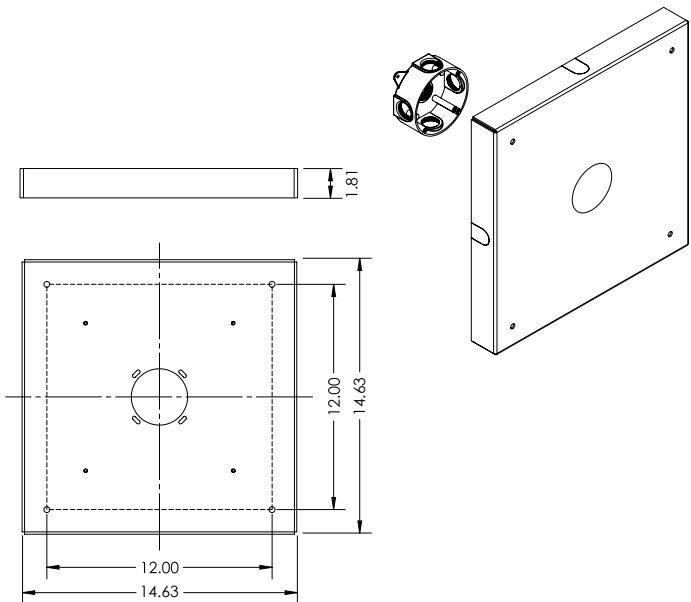
Due to continuous development and improvements, specifications are subject to change without notice. FC Lighting reserves the right to change lab test details or specifications without notice. Product use certifies agreement to FC Lighting terms and conditions. FCC Series Cylinder Lights are engineered and produced in our Illinois manufacturing facility.



# Dimensions

PRODUCT DIMENSIONS - STANDARD PRODUCT		MOUNTING - <i>j-box sold by others</i>			
width	14.17" W	mounting plate width	14" W		
depth	4.5" D	14 inch mounting plate: mounts flush to surface, included with fixture.			
		<table border="1"> <tr> <td>3.5" or 2.75"</td> <td>mounting diameter</td> </tr> </table>		3.5" or 2.75"	mounting diameter
		3.5" or 2.75"	mounting diameter		

## CONDUIT SURFACE MOUNT (CSM)



Due to continuous development and improvements, specifications are subject to change without notice. FC Lighting reserves the right to change lab test details or specifications without notice. Product use certifies agreement to FC Lighting terms and conditions. FCC Series Cylinder Lights are engineered and produced in our Illinois manufacturing facility.



# Photometry

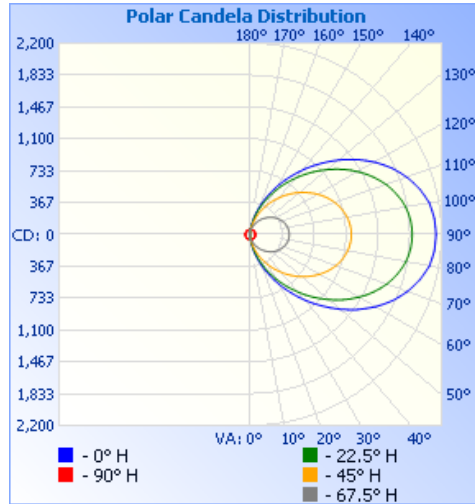
## OPTICAL DISTRIBUTION

<b>lumen output</b>	5118 Lm @ 4000K
<b>power consumption</b>	59W

Illuminance at a Distance		
	Center Beam fc	Beam Width
1.7R	<b>19.9 fc</b>	<b>3.7 ft</b>
3.3R	<b>5.28 fc</b>	<b>7.3 ft</b>
5.0R	<b>2.30 fc</b>	<b>11.0 ft</b>
6.7R	<b>1.28 fc</b>	<b>14.8 ft</b>
8.3R	<b>0.83 fc</b>	<b>18.3 ft</b>
10.0R	<b>0.57 fc</b>	<b>22.0 ft</b>

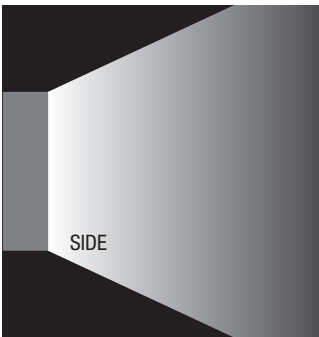
■ Beam Spread: 95.5°

illuminations testing laboratory: Report #1315



FCW3360

FIND IES FILES ON FCLIGHTING.COM



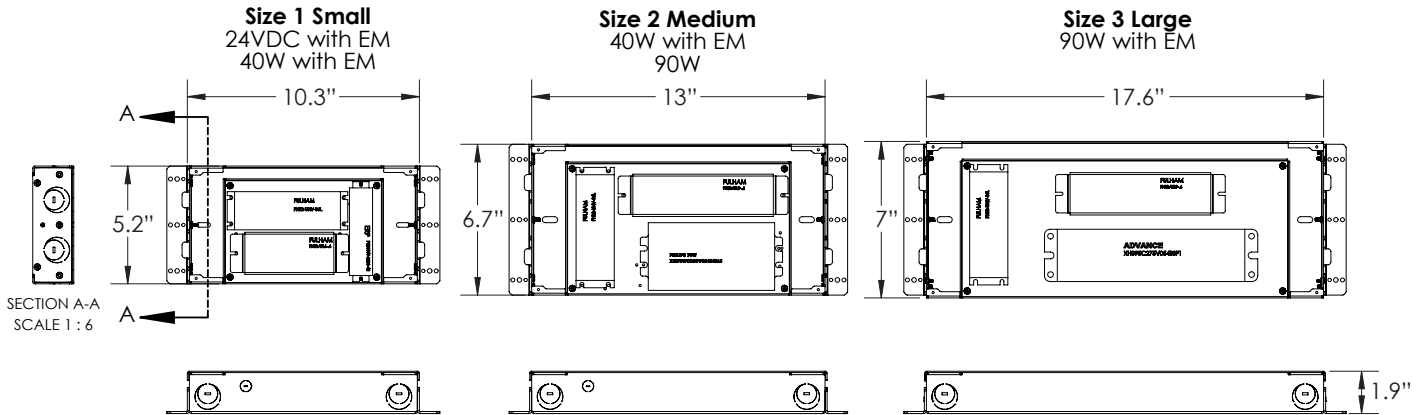
Due to continuous development and improvements, specifications are subject to change without notice. FC Lighting reserves the right to change lab test details or specifications without notice. Product use certifies agreement to FC Lighting terms and conditions. FCC Series Cylinder Lights are engineered and produced in our Illinois manufacturing facility.

 US Commercial Lighting Manufacturer Since 1982

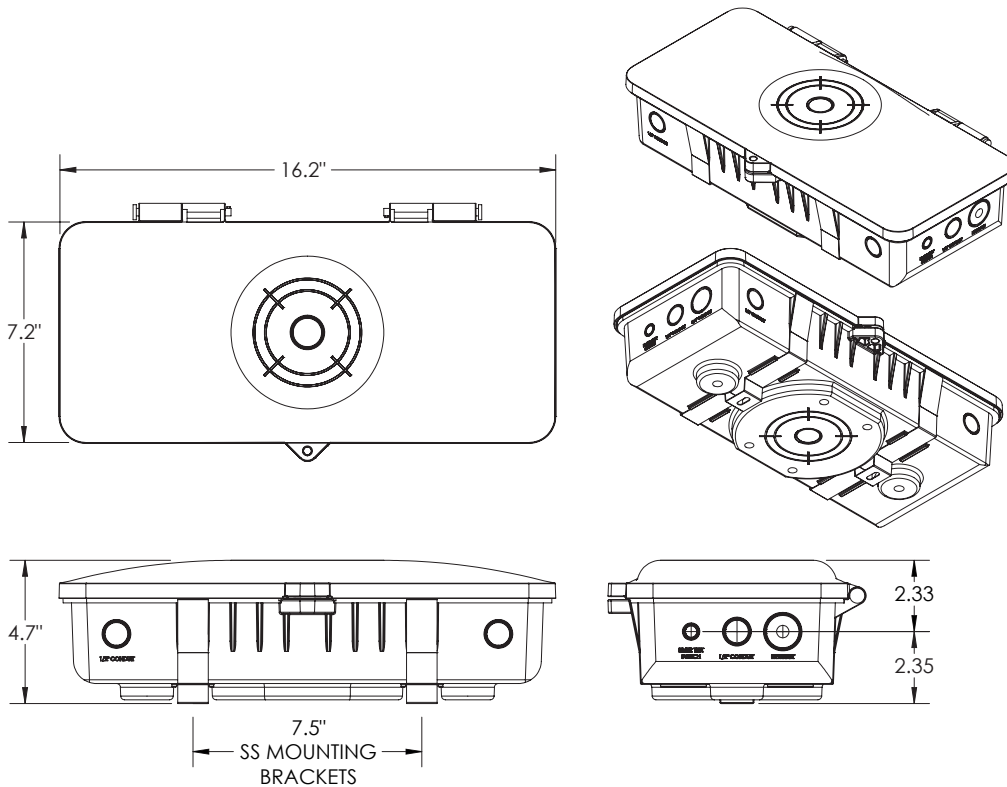
**Specification Sheet**

**BATTERY BACK-UPS**

**BBUR - BATTERY BACK-UP & LED DRIVER REMOTE (INDOOR), IP20, IK08, NEMA 1, 0°C to +48°C, 30' MAX Distance with 12AWG (w/UNV Option Only)**



**BBUX - BATTERY BACK-UP & LED DRIVER REMOTE (OUTDOOR), IP67, IK10, NEMA 4X, -20°C to +55°C, 30' MAX Distance with 12AWG (w/UNV Option Only)**



Due to continuous development and improvements, specifications are subject to change without notice. FC Lighting reserves the right to change lab test details or specifications without notice. Product use certifies agreement to FC Lighting terms and conditions. FCC Series Cylinder Lights are engineered and produced in our Illinois manufacturing facility.