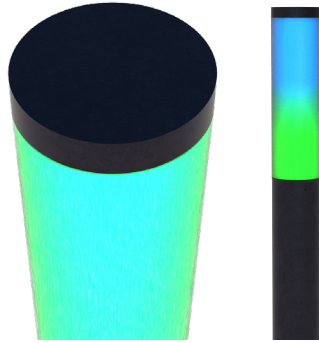


Date:		Approved:
Type:		
Luminaire:		
Project:		

FCB5500 RGBW



FCB5500 RGBW Exterior die-cast aluminum, 8" nominal diameter, bollard post with a 360° window and impact resistant, UV stabilized, opal diffuser lens, and offered in 2 different heights based on the chosen lens height. RGBW and Tunable White means color control over 4.6 billion colors. IP65 rated for wet location use.



SPECIFICATIONS

PHYSICAL

lengths/dimensions	luminaire diameter: 7-3/8", various heights: 38"H (1ft lens), 50"H (2ft lens)
weight	25 lbs
housing	Marine grade, corrosion resistant, heavy walled, high pressure die-cast aluminum with extruded pole
lens	Impact resistant, UV stabilized, opal diffuser
mounting	Heavy gauge gravity molded base provides a robust mounting solution with idea flush mounted appearance at the base plate, anchor bolts included (j-box by others)
ingress protection	ETL, U.S. and CA listed for wet location. IP65 Rating.
finish	Available in Black, Bronze, Graphite Grey, Silver, White and Custom Colors. Six stage chemical iron phosphate conversion pre-treatment. Polyester powder coat finish, 18 µm minimum, 5,000 hour salt spray test (ASTM B117) compliant with Florida / AAMA 2604 specification.

PERFORMANCE

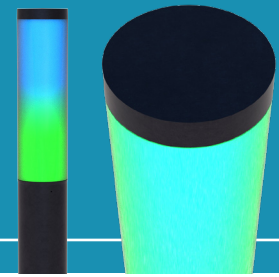
lumen output	1,000 lm per foot @ full output (nominal)
lumen maintenance	L70 > 70,000 hours
temperature	operating: -13°F to 104°F (-25°C to 40°C), start up: -13°F to 104°F (-25°C to 40°C), storage: -40°F to 176°F (-40°C to 80°C)
ColourQuick	Provides uniform beam saturation 3" from luminaire surface (1.5" on center from vertical surface)
ColourClone	Manufacturing process uses robotic systems to provide 1 SDCM like consistency between luminaires by calibrating every luminaire to the same exact X, Y, chromaticity coordinates
ColourSoft	Embedded firmware enables 16-bit resolution using only 8-bits of data to enhance the low trim curve for no-flicker at the slowest transition speeds.
ColourMode	RGBW and Tunable White in one luminaire using 6 DMX channels. Channels 1-4 - RGBW, Channels 5-6* - Tunable White (channel 5 = intensity and channel 6 = CCT) *Tunable White mode must use the entire luminaire as one unit.
warranty	5 year limited warranty

ELECTRICAL

input voltage	Universal 120 - 277 VAC, 50/60Hz
power supply	Integral Class II, electronic high-power factor 99% @ 120V
controls	SSL ColourSelect, 3rd party DMX 512, RDM standard based control system
certification	ETL / cETL, FCC Part 15
standards	UL1598/CSA C22.2 No. 250.0; UI 8750/CSA C22.2 No. 250.13/IES LM-79/LM-80, UL-Class I
power consumption	18W (38"H), 36W (50"H)

Due to continuous development and improvements, specifications are subject to change without notice. Product use certifies agreement to FC Lighting terms and conditions.

Ordering Information



ORDERING INFORMATION

FCB5500-RGBW	UNV					DMX	
SERIES	VOLTAGE	HEIGHT		COLOR	FINISH	OPTIONS	
FCB5500-RGBW	UNV 120 - 277 VAC	38	38" Total Height (1' Lens) 18W	RGBW	RGBW	BKE Black	DMX DMX Dimming (required)
		50	50" Total Height (2' Lens) 36W	RGBW-TW	RGBW & Tunable White	BRE Bronze	LAB ¹ Less Anchor Bolt Kit - for shipment separate of Anchor Bolt Kit
				TW	Tunable White	GRE Graphite Grey SLE Silver WHE White CCE Custom Color	GFCI ² 20A 125V outlet receptacle

ANCHOR BOLT KITS

A05500

Anchor Bolt Kit - Complete Anchor Bolt Kit shipped in advance of fixture.

¹ Note: Luminaire must be mounted into FC Lighting supplied Anchor Bolt Kit shipped with or separate of fixture.

² Note: All Paint COLOR to match GFCI outlet color except Black housing which uses a Bronze GFCI.

Control Components (Indicate the quantity needed for each item.)

_____ PHAROS TPS-5-B 5" Designer Touch Panel Station	_____ DE3BK(WH) Nicolaudie STICK DE-3 Black or White Wall Mount Controller w/color dial
_____ PHAROS XPC1 Expert Controller; 512 channels of eDMX/DMX	_____ CW4-WH Nicolaudie STICK White Touch Screen with Internal WiFi
_____ PHAROS XPC2 Expert Controller; 1024 channels of eDMX/DMX	_____ GA2WH(BK) Nicolaudie STICK-GA2 White or Black Wall Mount Controller
_____ PHAROS XPT-5-B Expert Touch Panel; 5" Display in Black	_____ DXC-25 25 foot DMX cable
_____ PHAROS TPC-BB Touch Panel Controller - Black on Black (512 Channels EDMX)	_____ DXC-50 50 foot DMX cable
_____ PHAROS EXT Extension for TPC Connectivity	_____ DXC-100 100 foot DMX cable
_____ PHAROS LPC1 Lighting Playback Controller 1 (512 channels DMX/eDMX)	_____ CD-10 10 foot controller data cable (for CSC only)
_____ PHAROS LPC2 Lighting Playback Controller 2 (1,024 channels DMX/eDMX)	_____ CD-25 25 foot controller data cable (for CSC only)
_____ PDX Power Data Wiring Box (exterior rated)	_____ CD-50 50 foot controller data cable (for CSC only)
_____ PDX-S Power Data Wiring Box w/2-port splitter	_____ CD-100 100 foot controller data cable (for CSC only)
_____ PDX-RS4 Power Data Wiring Box w/4-port splitter	_____ MV 5900 Multiverse Show Baby DMX Wireless Bridge (Indoor)
_____ CSC-2WH (2BK) White or Black Wall Mount ColourSelect Controller (2 universe)	_____ 7400-5707M Show DMX Vero DMX Wireless Bridge (Exterior)
_____ CSC-E ColourSelect Controller (2 universe)	

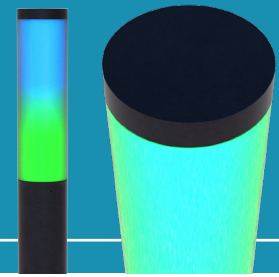
Controller Data Cables/DMX Cables listed are exterior rated cables.
(Belden 3105A or equivalent) CD-XX cables have male XLR at one end.

Due to continuous development and improvements, specifications are subject to change without notice. Product use certifies agreement to FC Lighting terms and conditions.



US Commercial Lighting Manufacturer Since 1982

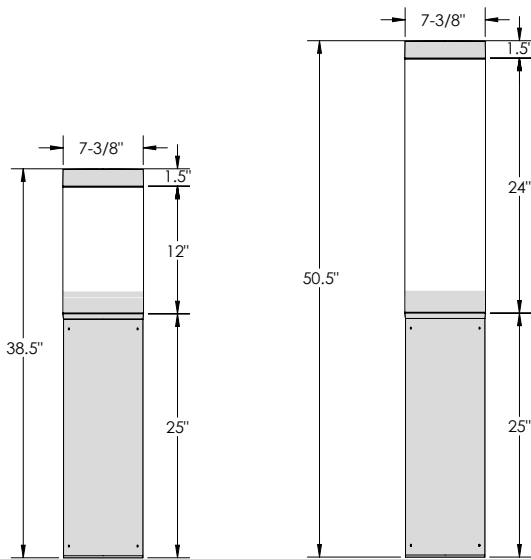
Specification Sheet



Physical

PRODUCT DIMENSIONS - STANDARD PRODUCT

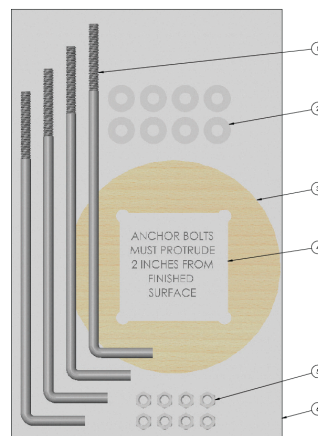
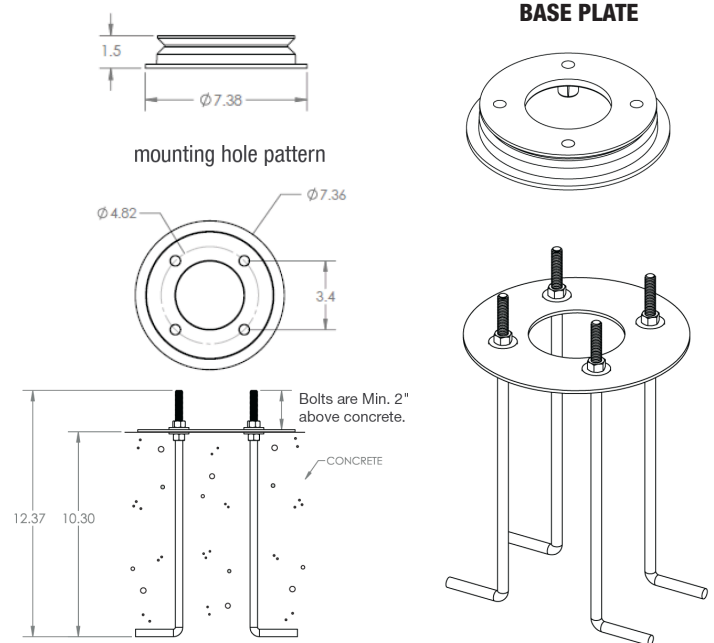
max height	38" (1' Lens Option)	50" (2' Lens Option)
diameter	7.38"	7.38"



MOUNTING - j-box sold by others

mounting plate diameter	Ø 7.38"
-------------------------	---------

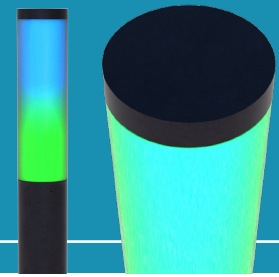
- Anchor Bolt Template Assembly: A05500
(Includes the below items listed)



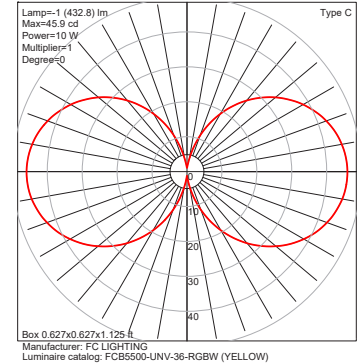
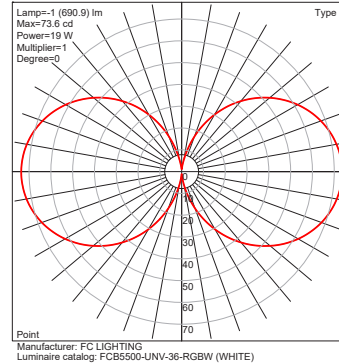
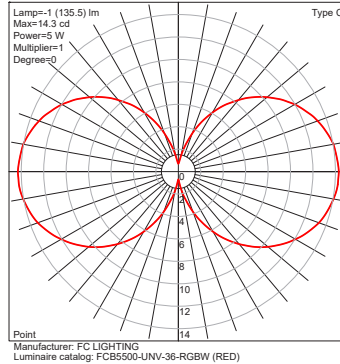
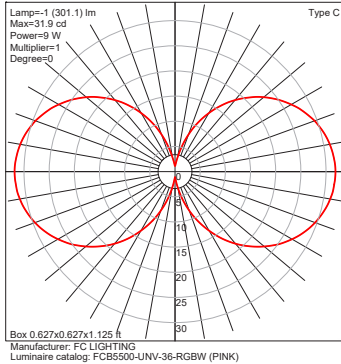
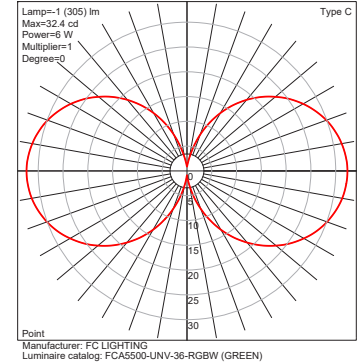
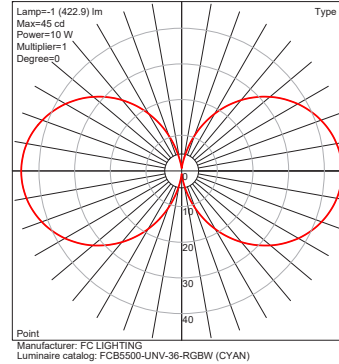
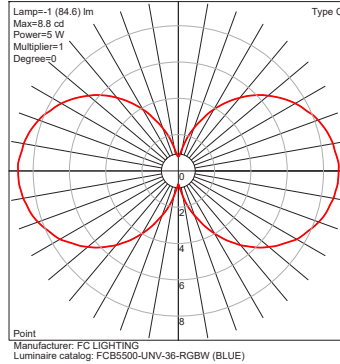
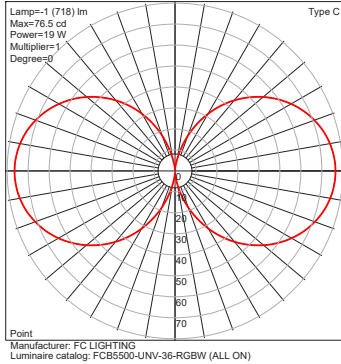
#	Anchor Bolt Template Assembly (A05500) (Includes below items)	Qty.
1	L-Hook Anchor Bolt (X91603A120)	4
2	Flat Washers	8
3	Anchor Bolt Wood Template	1
4	Anchor Bolt Label	1
5	Hex Nuts	8
6	Plastic Bag, Sealed	1

Due to continuous development and improvements, specifications are subject to change without notice. Product use certifies agreement to FC Lighting terms and conditions.

Photometry

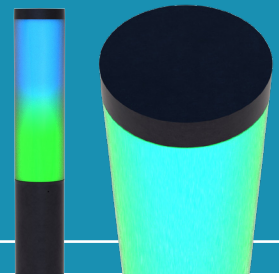


OPTICAL DISTRIBUTION FOR 36" H LUMINAIRE

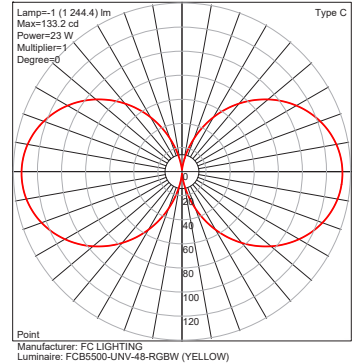
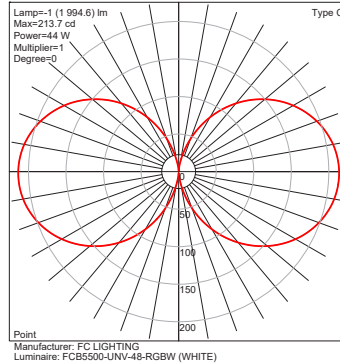
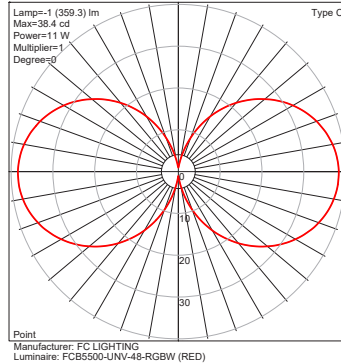
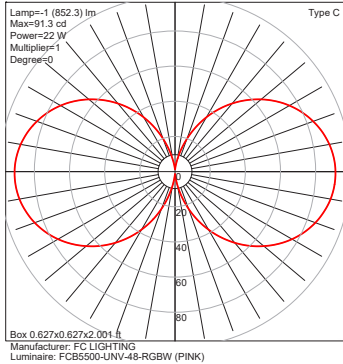
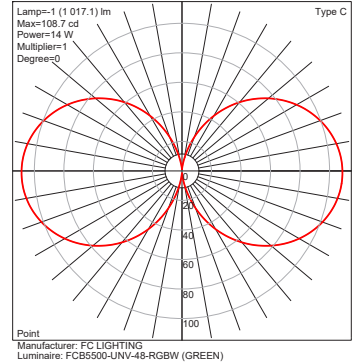
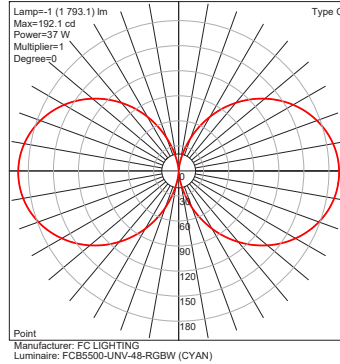
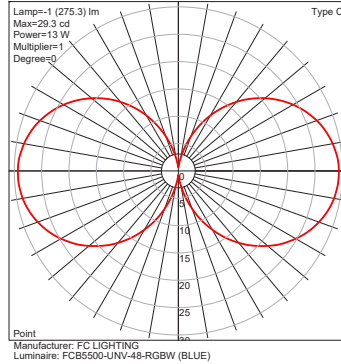
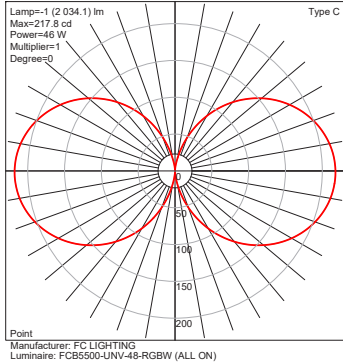


Due to continuous development and improvements, specifications are subject to change without notice. Product use certifies agreement to FC Lighting terms and conditions.

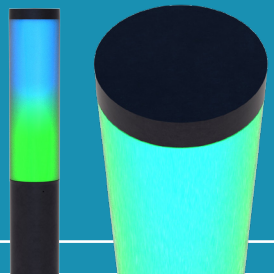
Photometry



OPTICAL DISTRIBUTION FOR 48" H LUMINAIRE

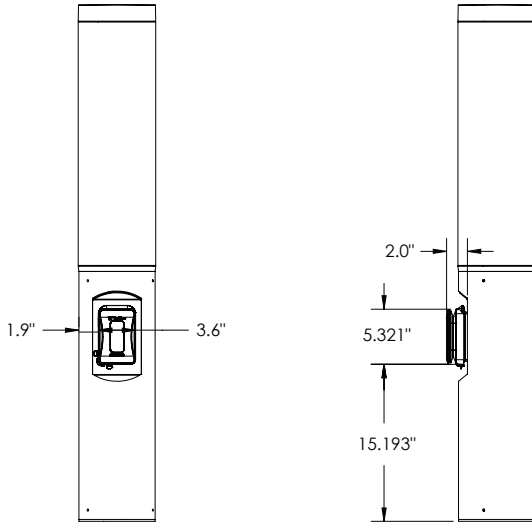


Due to continuous development and improvements, specifications are subject to change without notice. Product use certifies agreement to FC Lighting terms and conditions.



OPTIONS

GFCI - GROUND FAULT CIRCUIT INTERRUPTER



Due to continuous development and improvements, specifications are subject to change without notice. Product use certifies agreement to FC Lighting terms and conditions.