

**FCB5500**



**Date:** \_\_\_\_\_

**Type:** \_\_\_\_\_

**Fixture:** \_\_\_\_\_

**Project:** \_\_\_\_\_

**Approved:**

**FCB5500** Exterior die-cast aluminum, 8" nominal diameter, bollard post with a 360° window and impact resistant, UV stabilized, opal diffuser lens, and offered in 2 different heights and lumen packages based on the chosen lens height. IP65 rated for wet location use.



**SPECIFICATIONS**

**PHYSICAL**

<b>lengths/dimensions</b>	fixture diameter: 7-3/8", various heights: 38"H (1ft lens), 50"H (2ft lens)
<b>weight</b>	20 lbs (1 ft lens), 22 lbs (2 ft lens)
<b>housing</b>	Marine grade, corrosion resistant, heavy walled, high pressure die-cast aluminum with extruded pole
<b>lens</b>	Impact resistant, UV stabilized, opal diffuser
<b>mounting</b>	Marine grade, corrosion resistant, heavy walled, high pressure die-cast aluminum base provides a robust mounting solution with ideal flush mounted appearance, anchor bolts included.
<b>ingress protection</b>	ETL, U.S. and CA listed for wet location. IP65 Rating.
<b>finish</b>	Available in Black, Bronze, Graphite Grey, Silver, White and Custom Colors. Six stage chemical iron phosphate conversion pre-treatment. Polyester powder coat finish, 18 µm Min., 5,000 hour salt spray test (ASTM B117) compliant with Florida / AAMA 2604 specification.

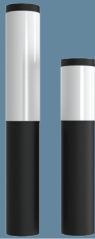
**PERFORMANCE**

<b>color temperature</b>	2700K, 3000K, 3500K, 4000K
<b>lumen output</b>	800lm, 1600lm, 1900lm, 3800lm @ 4K (nominal)
<b>lumen maintenance</b>	L70 >70,000 hours
<b>color consistency</b>	3 SDCM / 83CRI
<b>operating temperature</b>	-40°F to 131°F (-40°C to 55°C)
<b>warranty</b>	5 year limited warranty

**ELECTRICAL**

<b>input voltage</b>	Universal 120 - 277 VAC, 50/60Hz, optional: 347 VAC, 480 VAC
<b>power supply</b>	Integral Class II, electronic high-power factor 99% @ 120V
<b>certification</b>	ETL / cETL, FCC Part 15
<b>standards</b>	UL1598/CSA C22.2 No. 250.0; UI 8750/CSA C22.2 No. 250.13/IES LM-79/LM-80, UL-Class I
<b>power consumption</b>	7W (38"H), 13W (38"H), 13W (50"H), 26W (50"H)
<b>dimming</b>	Standard: 0-10V (10%)

Due to continuous development and improvements, specifications are subject to change without notice. Product use certifies agreement to FC Lighting terms and conditions.



# Ordering Information

## ORDERING INFORMATION

FCB5500	UNV	50	827	16L	BKE	LD
SERIES	VOLTAGE	HEIGHT <sup>2</sup>	COLOR	LUMENS <sup>2</sup>	FINISH	OPTIONS
<b>FCB5500</b>	<b>UNV</b> 120 - 277 VAC	<b>38</b> Total Height 38.5" (1' Lens) 7W	<b>827</b> (83 CRI) 27K	<b>08L</b> 800lm (7W)	<b>BKE</b> Black	<b>LD</b> 0-10V Dimming
	<b>347V</b> 347 VAC	<b>38</b> Total Height 38.5" (1' Lens) 13W	<b>830</b> (83 CRI) 3K	<b>16L</b> 1600lm (13W)	<b>BRE</b> Bronze	<b>LAB</b> <sup>1</sup> Less Anchor Bolt Kit - for shipment separate of Anchor Bolt Kit
	<b>480V</b> 480 VAC	<b>50</b> Total Height 50.5" (2' Lens) 13W	<b>835</b> (83 CRI) 35K	<b>19L</b> 1900lm (13W)	<b>GRE</b> Graphite Grey	
		<b>50</b> Total Height 50.5" (2' Lens) 26W	<b>840</b> (83 CRI) 4K	<b>38L</b> 3800lm (26W)	<b>SLE</b> Silver	
					<b>WHE</b> White	<b>GFCI</b> <sup>3</sup> 20A 125V outlet receptacle
					<b>CCE</b> Custom Color	

### ANCHOR BOLT KITS

**A05500** Anchor Bolt Kit - Complete Anchor Bolt Kit shipped in advance of fixture.

- <sup>1</sup> **Note:** Fixture must be mounted into FC Lighting supplied Anchor Bolt Kit shipped with or separate of fixture.
- <sup>2</sup> **Note:** HEIGHT Wattage and LUMENS Wattage must match. (Example: 38-840-08L)
- <sup>3</sup> **Note:** All Paint COLOR to match GFCI outlet color except Black housing which has a Bronze GFCI.

## SPECIFICATION

### MOUNTING

- A thick, hard anodized die-cast base is provided and anchored through with a set of four 12" in length x 0.375" diameter hot dipped anchor bolts. Pole is included to maximum height.

### CONSTRUCTION

- Marine grade, corrosion resistant, heavy walled, high pressure die-cast aluminum with extruded pole. Easy access maintenance.
- Impact resistant, UV stabilized, opal diffuser.
- Neoprene continuous closed cell gasket to seal out contaminants. Captive and recessed stainless steel set screws.

### LED

- Lumens stated are the minimum delivered out of the luminaire. LED lifetime is greater than or equal to 70,000 hours with the lumen depreciation greater than L70. All of our luminaires are tested to LM 80 with a CRI of 83+ and color consistency of 3 SDCM. Integral power supply standard. Input voltage 120 VAC or 277 VAC.

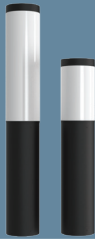
### FINISH

- Six stage chemical iron phosphate conversion pre-treatment. Polyester powder coat finish, 18 µm Min., 5,000 hour salt spray test (ASTM B117) compliant with Florida / AAMA 2604 specification.
- 5 Year limited warranty.

### LISTING

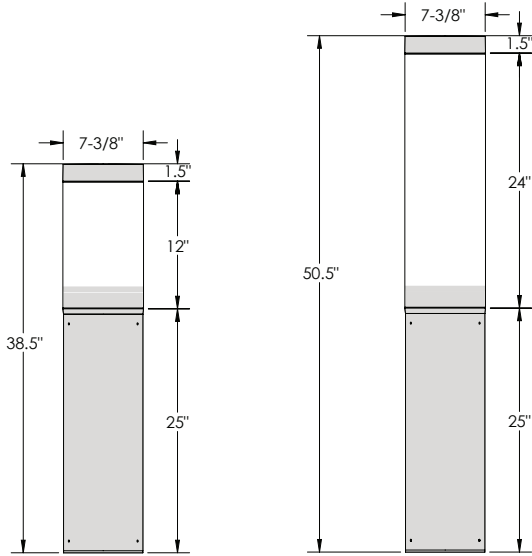
- ETL, U.S. and CA listed for wet location. IP65 Rating. CAL Green compliant.

Due to continuous development and improvements, specifications are subject to change without notice. Product use certifies agreement to FC Lighting terms and conditions.



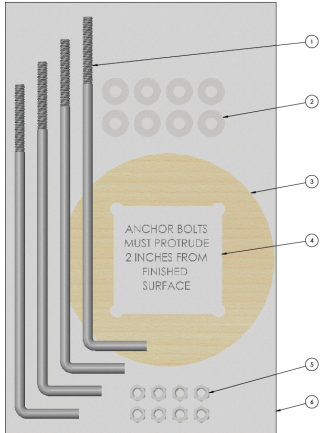
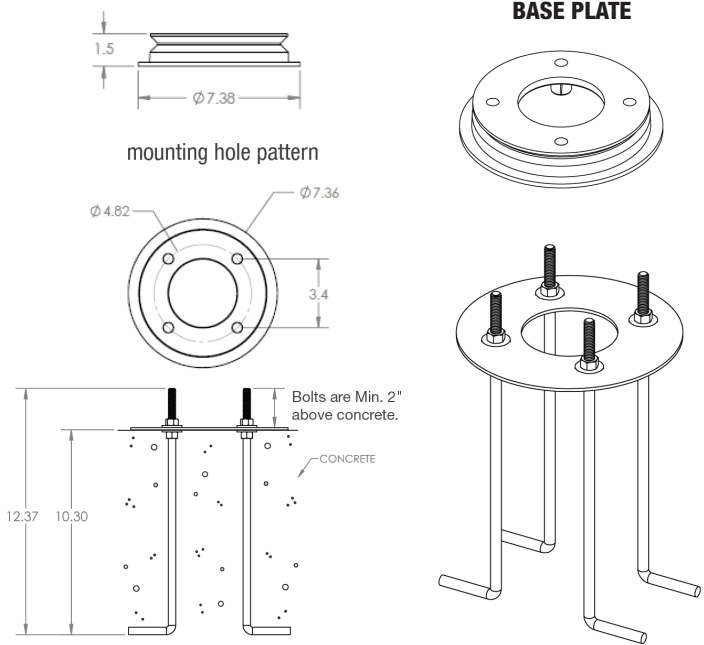
# Physical

PRODUCT DIMENSIONS - STANDARD PRODUCT		
max height	38.5" (1' Lens Option)	50.5" (2' Lens Option)
diameter	7.38"	7.38"



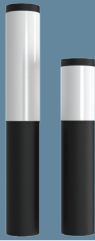
MOUNTING - <i>j-box sold by others</i>	
mounting plate diameter	Ø 7.38"

- Anchor Bolt Template Assembly: A05500  
(Includes the below items listed)



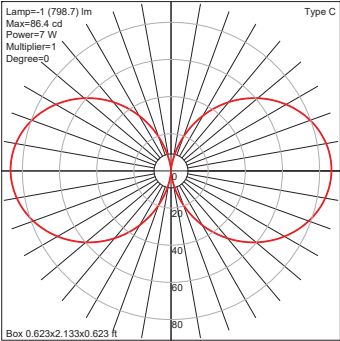
#	Anchor Bolt Template Assembly (A05500) (Includes below items)	
1	L-Hook Anchor Bolt (X91603A120)	Qty. 4
2	Flat Washers	Qty. 8
3	Anchor Bolt Wood Template	Qty. 1
4	Anchor Bolt Label	Qty. 1
5	Hex Nuts	Qty. 8
6	Plastic Bag, Sealed	Qty. 1

Due to continuous development and improvements, specifications are subject to change without notice. Product use certifies agreement to FC Lighting terms and conditions.

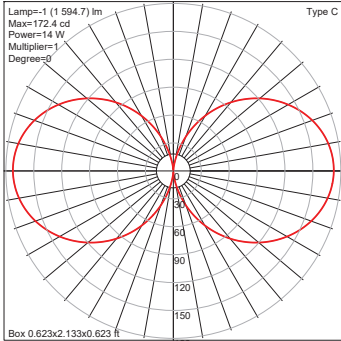


# Photometry

## OPTICAL DISTRIBUTION FOR 38" H LUMINAIRE



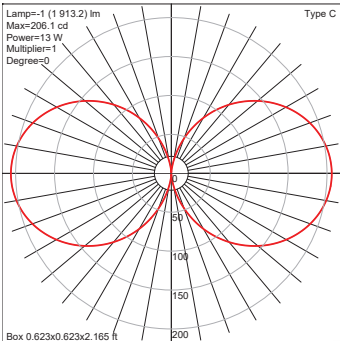
7 WATTS



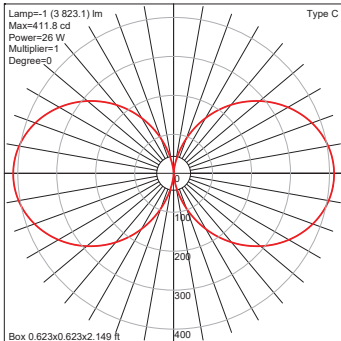
13 WATTS

COLOR	IES MULTIPLIER
827	0.89
830	0.96
835	0.97
840	1.00

## OPTICAL DISTRIBUTION FOR 50" H LUMINAIRE



13 WATTS



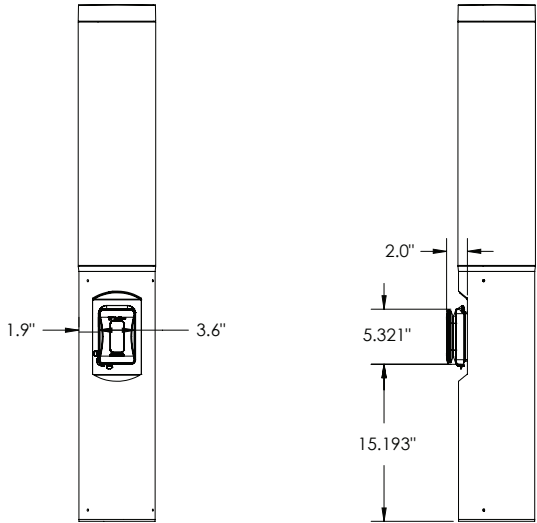
26 WATTS

Due to continuous development and improvements, specifications are subject to change without notice. Product use certifies agreement to FC Lighting terms and conditions.



# Options

## GFCI - GROUND FAULT CIRCUIT INTERRUPTER



Due to continuous development and improvements, specifications are subject to change without notice. Product use certifies agreement to FC Lighting terms and conditions.