

FCB740-FCB741 (Concrete Pour) - INSTALLATION INSTRUCTIONS

CAUTION: BEFORE CONNECTING THE FIXTURE TO A POWER SUPPLY, MAKE SURE THE POWER IS SWITCHED OFF.



corporate
t 800.900.1730
f 630.889.8106
3609 Swenson Ave.
St. Charles, IL 60174

DETAILED ILLUSTRATION

GENERAL:

1. Before starting the installation, make sure all electricity has been turned off and electrical breaker has been locked out and tagged out.
2. To ensure the success of the installation, be sure to read these instructions and review the diagrams thoroughly before beginning.
3. All electrical connections must be in accordance with local codes, ordinances, or the National Electrical Code.

NOTE: The important safeguards and instructions appearing in this manual are not meant to cover all possible conditions and situations that may occur.

1) FOOTING DESIGN:

All footings should be poured to direct water away from the base of the fixture. Drainage should be provided to prevent water from collecting under and around the fixture. Anchors must be located per the dimensions shown. Anchors should protrude up no more than 1.5”.

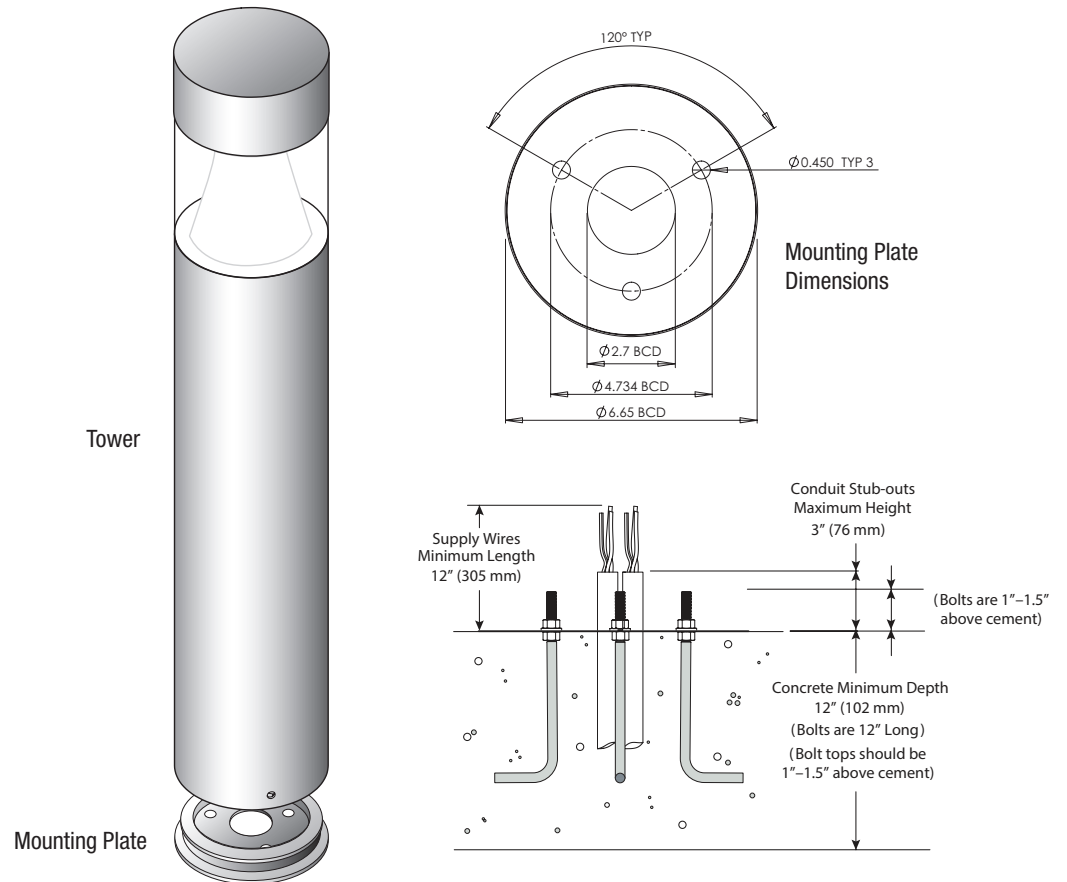
2) INSTALL MOUNTING RING:

Remove the mounting plate from the bottom of the fixture by loosening the 3 set screws around the bottom edge of the housing. **DO NOT** remove screws completely. Once the footing is set and level, install the mounting ring. Place a continuous bead of silicone between the ring and the ground. Tighten nuts snug to hold ring in place. **DO NOT OVERTIGHTEN.**

3) WIRING:

Make wiring connections. All wiring connections must be completed in accordance with local codes, ordinances, and the National Electric Code.

- 4) Place bollard housing over mounting ring. Tighten 3 set screws evenly until fixture is held firmly in position.



CONFIDENTIAL

THIS DOCUMENT IS THE PROPRIETARY PROPERTY OF FC LIGHTING, INC. ANY UNAUTHORIZED TRANSFER, USE OR REPRODUCTION IS STRICTLY PROHIBITED.

SD-DH-32521

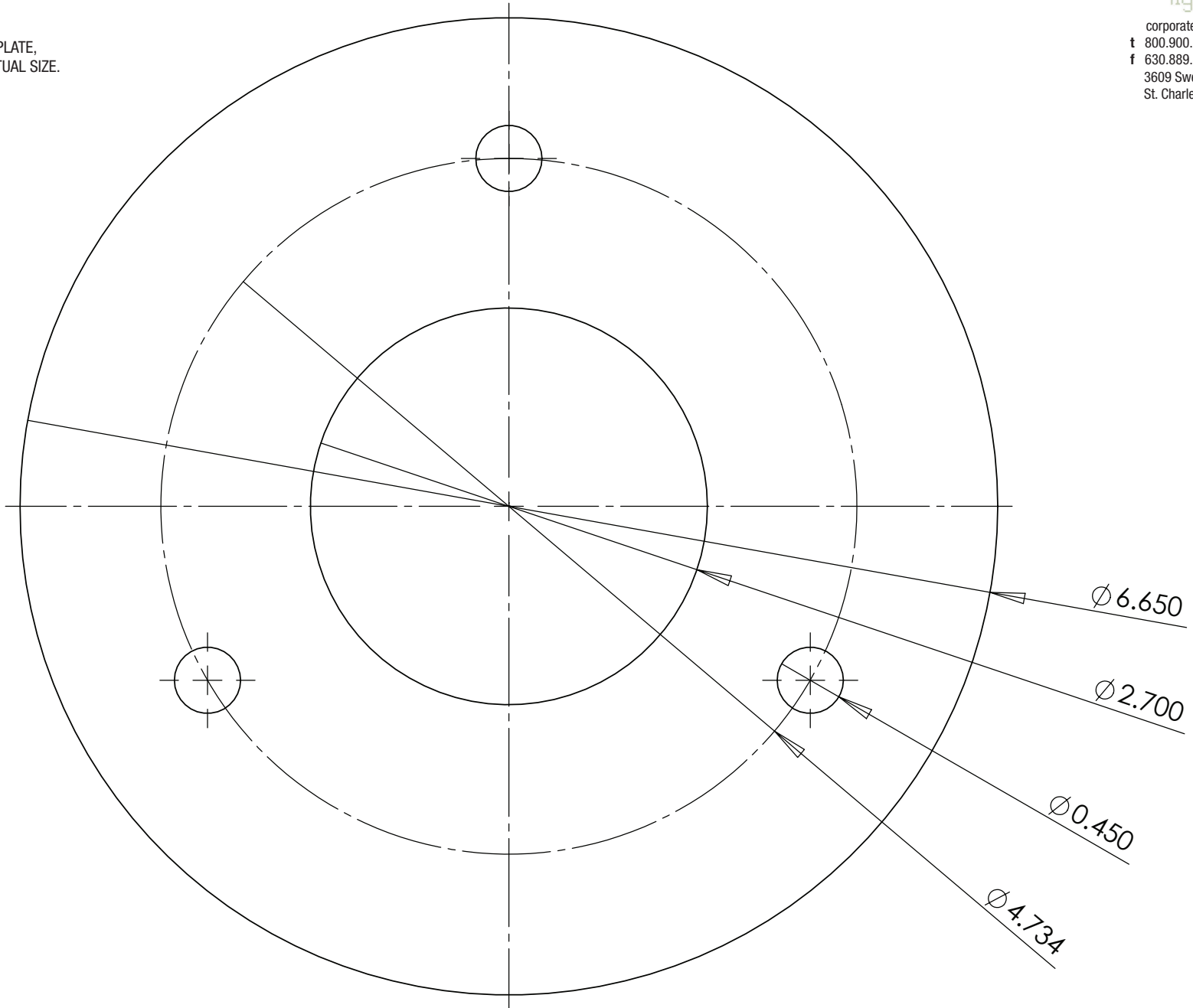
©FC LIGHTING, INC.

FCB740-FCB741 - J-BOLT SPACING DIMENSIONS TEMPLATE



corporate
t 800.900.1730
f 630.889.8106
3609 Swenson Ave.
St. Charles, IL 60174

TO USE THIS PAGE AS A TEMPLATE,
PRINT PAGE AT 100% OR ACTUAL SIZE.



CONFIDENTIAL

THIS DOCUMENT IS THE PROPRIETARY PROPERTY OF FC LIGHTING, INC. ANY UNAUTHORIZED TRANSFER, USE OR REPRODUCTION IS STRICTLY PROHIBITED.

SD-DH-32521

©2015 FC LIGHTING, INC.